

SIDE-POWER

Thruster systems



SP 240 TCI

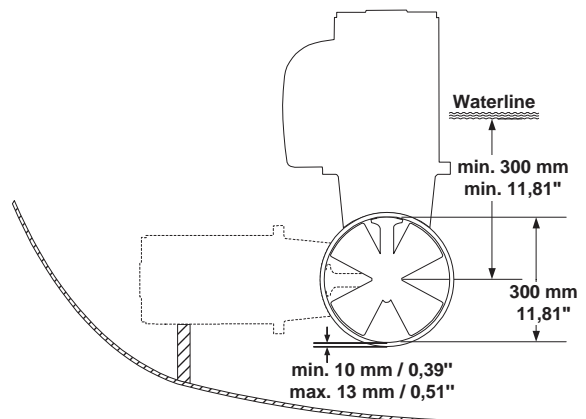
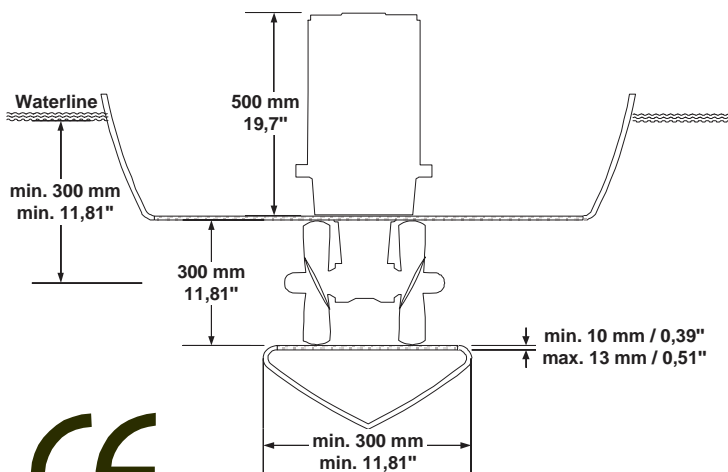


MAIN FEATURES

Thrust at 21 V	240 kg/528lbs.
Power	11,4kW/16Hp
Tunnel diameter	300mm /11,8"
Propulsion system	Counter rotating
Voltage	24 V (12V kit available)
Weight	70 kg / 154 lbs.
Boat size	60 - 84 foot
Current draw	nom. 725 A
Min. battery CCA DIN	700

This is probably the most powerful 24 V thruster on the market. It is an upgrade of our very popular SP220TC model, to better position itself in the range between the SP200TC model, and the SP285TC (48V unit). Now you get 20 extra kgs of thrust without a change in the cost and this new model also has the latest IPC* as standard.

**) Intelligent Power Control is the intelligent and patented safety functions included in all Sidepower DC electric thrusters.*



This document may contain typographical errors, to which Sleipner Motor assumes no responsibility.



Sleipner Motor AS

P.O. Box 519
N-1612 Fredrikstad
Norway

Tel: +47 69 30 00 60
Fax: +47 69 30 00 70

www.side-power.com
sidepower@sleipner.no