

# SIDE-POWER

## Thruster systems



# SP 285 TC i



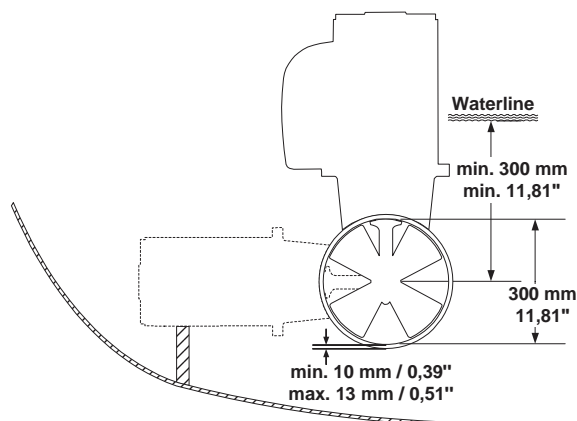
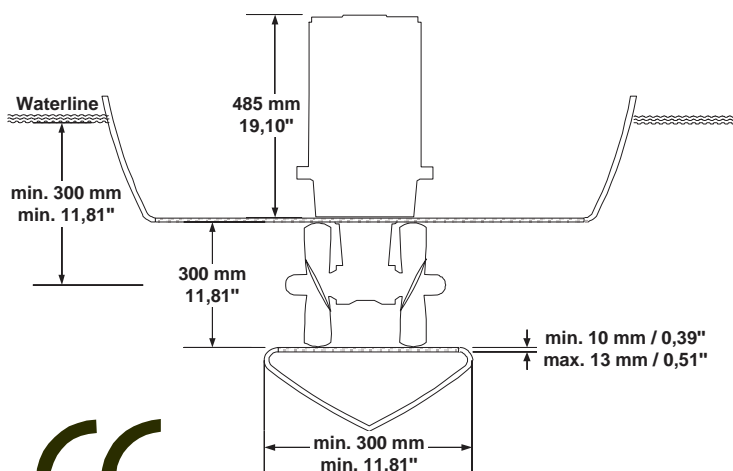
### MAIN FEATURES

Thrust at 21 V	285 kg / 627 lbs.
Power	15 kW / 20 Hp
Tunnel diameter	300 mm / 11,8"
Propulsion system	Counter rotating
Voltage	48 V (24 V kit incl.)
Weight	73 kg / 160 lbs.
Boat size	74 - 100 foot
Current draw	nom. 430 A (48 V)
Min. battery CCA DIN	2 x 450-24 V

We invented the 24-48 V concept.

This is the most powerful DC electric thruster on the market. A very effective alternative to hydraulic thrusters that historically have been used for this performance now featuring the latest IPC\*

\*) Intelligent Power Control is the intelligent and patented safety functions included in all Sidepower DC electric thrusters.



*This document may contain typographical errors, to which Sleipner Motor assumes no responsibility.*



**Sleipner Motor AS**

P.O. Box 519  
N-1612 Fredrikstad  
Norway

Tel: +47 69 30 00 60  
Fax: +47 69 30 00 70

[www.side-power.com](http://www.side-power.com)  
[sidepower@sleipner.no](mailto:sidepower@sleipner.no)