

SIDE- POWER

Thruster systems

SP 75 Ti
SP 95 Ti
SP 125 Ti

- GB** *Installation and user's manual*
- D** *Installations- und Bedienungsanleitung*
- N** *Installasjons og brukermanual*
- F** *Manuel d'installation et d'utilisation*
- I** *Manuale d'installazione e d'uso*
- fi** *Asennusohje ja käyttäjän käsikirja*



Keep this
manual onboard !



SLEIPNER MOTOR AS

P.O. Box 519
N-1612 Fredrikstad
Norway
Tel: +47 69 30 00 60
Fax: +47 69 30 00 70

www.side-power.com
sidepower@sleipner.no



Made in Norway

© Sleipner Motor AS 2006

Installation instructions

Technical specifications	4
Planning & important precautions	6
Tunnel installation	
Positioning of the tunnel / thruster	10
How to shape the tunnel ends	12
How to prevent drag from tunnel installation	14
Possible tunnel installation in sailboats	16
Tunnel installation in a GRP boat	18/20
Thruster installation	
Gearhouse and motorbracket	22
Oil tank & propeller	24
Electromotor	26
Electrical installation	28
Control panel and control-leads	30
Visual wiring diagram	32
Technical wiring diagram	33
Checklist for control of the installation	34

User's manual

Important user precautions	36
How to use Sidepower thrusters	38
Maintenance & service	40
Troubleshooting	42
Warranty statement	48
Spareparts list & drawing	50/52
Service centres	56

DECLARATION OF CONFORMITY

We, Sleipner Motor AS
P.O. Box 519
N-1612 Fredrikstad, Norway
declare that this product with accompanying
standard remote control systems complies with
the essential health and safety requirements
according to the Directive 89/336/EEC of 23
May 1989 amended by 92/31/EEC and
93/68/EEC.

Hinweise zur Installation

Technische Daten	4
Planungs- & Vorsichtshinweise	6

Tunnelinstallation

Positionierung von Tunnel / Thruster	10
Formgebung der Tunnelenden	12
Optimaler Strömungsverlauf am Rumpf	14
Mögliche Tunnelinstallation in Segelbooten	16
Tunnelinstallation bei Glasfiberrumpf	18/20

Thrusterinstallation

Getriebe und Motorhalterung	22
Ölvorratsbehälter & Propeller	24
Elektromotor	26
Installation der Elektrik	28
Steuerpanel und -kabel	30
Schaltplan - Übersicht	32
Schaltplan - Technisch	33
Checkliste zur Kontrolle der Installation	34

Bedienungsanleitung

Benutzerhinweise	36
Benutzung von Sidepower Thrustern	38
Wartung & Service	40
Fehlerbeseitigung	43
Garantieerklärung	48
Ersatzteilleiste & -zeichnung	50/52
Service Partner	56

KONFORMITÄTSERKLÄRUNG

Das von Sleipner Motor AS
P.O. Box 519
N-1612 Fredrikstad, Norwegen
gelieferte Produkt sowie die standard Bedienelemente
erfüllen die Gesundheits- und Sicherheitsanforderungen
entsprechend der Verordnung 89/336/EEC vom 23 Mai 1989,
Ergänzung 92/31/EEC und 93/68/EEC.

Installasjons instruksjoner

Tekniske spesifikasjoner	4
Planlegning og viktige forbehold	7

Tunnel installasjon

Plassering av tunnel/thruster	10
Utforming av tunnelåpninger	12
Hvordan unngå turbulens rundt tunnelåpninger	14
Forslag til tunnelinstallasjon på seilbåt	16
Tunnel installasjon i glassfiberbåter	18/20

Thruster installasjon

Gearhus og motorbraket	22
Oljebeholder og propeller	24
Elektromotor	26
Elektrisk installasjon	28
Kontrollpanel og kontrollkabler	30
Koblingsskjema elektrisk	32
Koblingsskjema	33
Sjekkpunktliste for kontroll av installasjon	34

Brukermanual

Viktige forbehold	36
Hvordan operere Sidepower thrustere	38
Vedlikehold og servise	40
Problemer og løsninger	44
Garantierklæring	48
Reservedelsliste	50/52
Service sentere	56

SAMSVARS ERKLÆRING

Sleipner Motor AS
Postboks 519
N-1612 Fredrikstad, Norge
Erklærer at dette produktet med tilhørende
standard kontrollsystemer er i samsvar med helse,
og sikkerhetskravene i henhold til Direktiv 89/
336/EEC FRA 23 Mai 89, korrigert av 92/31/
EEC og 93/68/EEC.

Instructions de montage

Caractéristiques techniques	5
Procédure et précautions importantes	8
Montage du tunnel	
Positionnement du tunnel.....	11
Extrémités du tunnel	13
Prévention des traînées d'eau du tunnel	15
Montage du tunnel sur les voiliers	17
Montage du tunnel sur les bateaux en GRP	19
Montage du propulseur	
Embase et support moteur	23
Réservoir à huile et hélice	25
Moteur électrique	27
Installation électrique	29
Panneau de commande et câblage	31
Schéma visuel de branchement	32
Schéma technique de branchement	33
Liste de vérifications pour contrôle de l'installation	35

Manuel utilisateur

Précautions d'utilisation importantes	37
Comment utiliser les propulseurs Sidepower	39
Entretien	41
Recherche de pannes	45
Garantie	49
Liste des pièces détachées et schémas	50-53
Distributeurs agréés	56

DÉCLARATION DE CONFORMITÉ

We, Sleipner Motor AS
P.O. Box 519
N-1612 Fredrikstad
Norway

declare that this product with accompanying standard remote control systems complies with the essential health and safety requirements according to the Directive 89/336/EEC of 23 May 1989 amended by 92/31/EEC and 93/68/EEC

Istruzioni per l'installazione

Caratteristiche tecniche	4
Pianificazione dell'installazione e precauzioni importanti	8
Installazione del tunnel	
Posizionamento del tunnel / del propulsore	10
Come sagomare le estremità del tunnel	12
Come prevenire la resistenza al moto dovuta all'installazione del tunnel	14
Possibile installazione del tunnel in imbarcazioni a vela	16
Installazione del tunnel in un'imbarcazione in vetroresina	18/20
Installazione del propulsore	
Piede e staffa del motore	22
Serbatoio dell'olio ed elica	24
Motore elettrico	26
Installazione parte elettrica	28
Quadro comandi e cavi di controllo	30
Schema di connessione visivo	32
Schema di connessione tecnico	33
Punti da controllare per l'installazione	35

Manuale d'uso

Importanti precauzioni	37
Come utilizzare i propulsori Sidepower	38
Manutenzione e servizio	40
Problemi e soluzioni	46
Garanzia	49
Lista parti di ricambio e disegno	50/52
Centri di assistenza	56

DICHIARAZIONE DI CONFORMITÀ

La Sleipner Motor AS, P.O. Box 519, N-1612 Fredrikstad, Norvegia, dichiara che questo prodotto, con gli annessi sistemi standard di comando, è conforme ai requisiti essenziali di igiene e sicurezza previsti dalla Direttiva 89/336/EEC del 23 maggio 1989 e relative modifiche contenute nella 92/31/EEC e nella 93/68/EEC.

Asennus ohjeet

Tekniset tiedot	4
Suunnittelu ja tärkeitä varotoimenpiteitä	9
Tunnelin asennus	
Tunnelin/keulapotkurin sijoitus	10
Miten muotoilla tunnelin päät	12
Miten välttyä tunnelin vastuksesta	14
Tunnelin asennus purjeventäjässä	16
Tunnelin asennus lasikuituveneessä	18/20
Keulapotkurin asennus	
Vaihteisto ja moottorilaippa	22
Öljysäiliö ja potkuri	24
Sähkömoottori	26
Sähköasennus	28
Käyttöpaneeli ja käyttökaapelit	30
"Visuaalinen" kytkentäkaava	32
Tekninen kytkentäkaava	33
Asennuksen varmistuslista	35

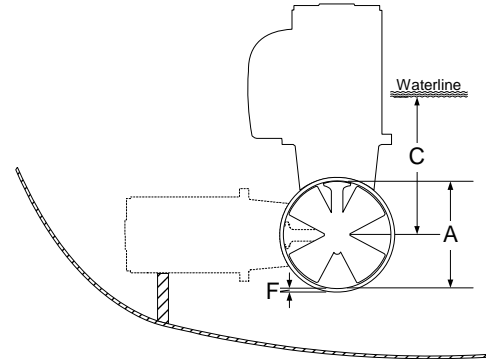
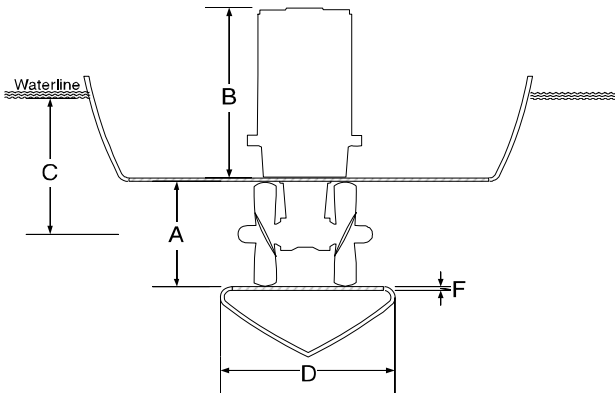
Käyttäjän käsikirja

Tärkeitä varotoimenpiteitä käyttäjälle	37
Miten Sidepower keulapotkuria käytetään	38
Ylläpito ja huolto	40
Vianetsintä	47
Takuuehdot	49
Varaosaluettelo	50/52
Huoltopisteet	56

KIRJALLINEN**VAATIMUSTENMUKAISUUSVAKUUTUS**

Me, Sleipner Motor AS
P.O. Box 519
N-1612 Fredrikstad, Norja

ilmoitamme tämän tuotteen liitettynä vakio käyttöjärjestelmään, täyttävän terveys ja turvallisuus direktiivit 89/336/EEC, 23 toukokuuta 1989, muutettu 92/31/EEC ja 93/68/EEC.



METRIC

	SP 75 Ti	SP 95 Ti	SP 125 Ti
Thrust [kg]	75	95	125
A [mm]	185	185	250
B [mm]	352	389	398
Cmin. [mm]	200	200	230
D [mm]	170	170	280
D recommended [mm]	340	340	560
Emin. [mm]	6	6	7
Emax. [mm]	8	8	10
Motor output [kW]	4,4	6	6,5
Voltage [V]	12/24	12/24	12/24
Weight [kg]	20	31	37
Gear oil capacity [ml]	70	70	200

Note: Emin.: wall thickness of a standard Sidepower tunnel
Emax.: maximum wall thickness when using other GRP, steel or aluminium tunnels

IMPERIAL

	SP 75 Ti	SP 95 Ti	SP 125 Ti
Thrust [lbs]	165	209	275
A [in]	7,28	7,28	9,84
B [in]	13,9	15,3	15,7
Cmin. [in]	7,87	7,87	9,0
D [in]	6,7	6,7	11,0
D recommended [in]	13,4	13,4	22,0
Emin. [in]	0,24	0,24	0,28
Emax. [in]	0,31	0,31	0,39
Motor output [Hp]	6	8	8,7
Voltage [V]	12/24	12/24	12/24
Weight [lbs]	44	68	77
Gear oil capacity [fl.oz]	2.367	2.367	6,736

Note: Emin.: wall thickness of a standard Sidepower tunnel
Emax.: maximum wall thickness when using other GRP, steel or aluminium tunnels

GB

Technical specifications

- Motor:** Custom made reversible DC-motor.
- Gearhouse:** Seawater resistant bronze. Ballbearing at propellershaft and combination of ballbearing and slide bearing at driveshaft.
- Motor bracket:** SP 75 Ti / SP 95 Ti / SP 125 Ti:
Seawaterresistant aluminium
- Tunnel:** Cross spun with rowing G.R.P tunnel
Steel & aluminum tunnels available at request.
- Propeller:** Symmetrical 4 blade propeller, fibreglass reinforced composite.
- Batteries:** Minimum recommended battery capacity (cold crank capacity by DIN/SAE standard)
SP75Ti 12V : 550 CCA DIN/1045 CCA SAE
24V : 300 CCA DIN/570 CCA SAE
SP95Ti 12V : 750 CCA DIN/1425 CCA SAE
24V : 400 CCA DIN/760 CCA SAE
SP125Ti 12V : 750 CCA DIN/1425 CCA SAE
24V : 400 CCA DIN/760 CCA SAE
- Max. use:** S2 = 3 min. or appr. 7-10% within a limited time frame.
- Safety:** Electronic time-lapse device protects against sudden change of drive direction. Electric thermal cut-off switch in electromotor protects against over heating (auto reset when electro motor cools down).
Flexible coupling between electro-motor and driveshaft protects electromotor and gearsystem if propeller gets jammed.
If original Sidepower panel is used, the panel shuts off automatically 6 minutes after last use.
Integrated microprocessor monitors solenoids, reducing wear and risk of solenoid lock-in. Auto-stop of thruster in case of accidental solenoid lock-in or if run signal is continuous for more than 3 minutes

D

Technische Daten

- Motor:** Gleichstrommotor
- Getriebegeh.:** Seewasserbeständige Bronze. Kugellager an der Propellerachse, Kombination von Kugel- und Gleitlager an der Antriebsachse.
- Motorhalterung:** SP 75 Ti / SP 95 Ti / SP 125 Ti:
Seewasserbeständiges Aluminium
- Tunnel:** Glasfibertunnel (Kreuzgewebe)
Stahl- & Aluminiumtunnel auf Anfrage.
- Propeller:** Symmetrischer, 4 flügeliger Kaplanpropeller aus Glasfiberverbundmaterial.
- Batterie:** Empfohlene mind. Batteriekapazität (Kaltstartkapazität nach DIN/SAE)
SP75Ti 12V : 550 CCA DIN/1045 CCA SAE
24V : 300 CCA DIN/570 CCA SAE
SP95Ti 12V : 750 CCA DIN/1425 CCA SAE
24V : 400 CCA DIN/760 CCA SAE
SP125Ti 12V : 750 CCA DIN/1425 CCA SAE
24V : 400 CCA DIN/760 CCA SAE
- Betriebszeit:** S2 = 3 min. oder ca. 7-10% innerhalb eines beliebigen Zeitraumes.
- Sicherheit:** Elektronische Zeitverzögerung zum Schutz des Getriebes bei plötzlichem Wechsel der Drehrichtung. Elektrischer Thermo-Schalter zum Schutz des Motors gegen Überhitzung (erneute Betriebsbereitschaft nach Abkühlung).
Scherstift zwischen Elektromotor und Getriebeachse als Schutz, wenn der Propeller blockiert ist. Nach der letzten Benutzung schaltet das Original Side-Power Panel automatisch nach 6 Minuten ab. Der integrierte Mikroprozessor überwacht das Relais und reduziert sowohl Verschleiß, als auch Relaisblockade. Das Bustrahlruder stoppt automatisch bei Relais-Blockade, oder bei Betrieb des Bugstrahlruders von mehr als 3 Minuten

N**Tekniske spesifikasjoner**

- Motor:** Spesialutviklet reversibel DC-motor.
- Girhus:** Sjøvannsbestandig bronsje. Kulelagre på propellaksel. Kule og glidelager komb. på drivaksel.
- Motorbraket:** SP 75 Ti / SP 95 Ti / SP 125 Ti
Sjøvannsbestandig aluminium.
- Tunnel:** Kryssvevet glassfiber.
Aluminium og ståltunnel på forespørsel.
- Propell:** 4-Blads kaplan propell i kompositmateriale.
- Batterier:** Minimum anbefalt batteri størrelse.
(Kaldstart kapasitet etter DIN std.)
SP75Ti 12V: 500 CCA DIN / 24V: 250 CCA DIN
SP95Ti 12V: 700 CCA DIN / 24V: 350 CCA DIN
SP125Ti 12V: 700 CCA DIN / 24V: 350 CCA DIN
- Drift tid:** S2 = 3 min. Eller gjennomsnittlig 7-10% innen en begrenset tidsperiode.
- Sikkerhet:** Elektronisk tidsforsinkelse forhindrer motorskade ved rask retningsendring.
Motoren stanser automatisk ved overopphetning (slår seg automatisk på etter nedkjøling).
Brytepinne mellom drivaksel og motor beskytter gir hvis propell blir blokkert.
Om originalt Side-Power panel blir brukt så vil dette slås av automatisk etter 6 minutter etter siste gang trøsteren ble brukt.
Integrerte microprosessor føler hele tiden på releet, reduserer slitasje og risk for "heng" på relé. Trøsteren vil stoppe automatisk etter 3 minutter om det oppstår "heng" på relé, eller om trøsteren går kontinuerlig i 3 minutter.

F**Caractéristiques techniques**

- Moteur:** moteur CC réversible d'origine.
- Embase:** bronze résistant à l'eau de mer. Roulements à billes au niveau de l'arbre d'hélice et combinaison de roulements à billes et de roulements à aiguilles au niveau de l'arbre d'entraînement.
- Support moteur:** SP 75 Ti / SP 95 Ti / SP 125 Ti Aluminium résistant à l'eau de mer.
- Tunnel:** polyester renforcé fibre de verre. Tunnels acier et aluminium disponibles sur demande.
- Hélice:** hélice 4 pales symétriques en fibre de verre renforcé.
- Batteries:** capacité batterie minimum recommandée
SP75Ti 12V : 500 CCA DIN / 24V : 250 CCA DIN
SP95Ti 12V : 700 CCA DIN / 24V : 350 CCA DIN
SP125Ti 12V : 700 CCA DIN / 24V : 350 CCA DIN
- Temps d'utilisation maximum:** S2=3 mn ou ~7 - 10 % du temps sur une période limitée.
- Sécurité:** une temporisation électronique préserve l'embase contre les brusques changements de direction. Un disjoncteur thermique protège contre les surchauffes (réinitialisation automatique lorsque le moteur électrique a refroidi).

L'accouplement souple situé entre le moteur et l'arbre d'entraînement protège le moteur et l'embase en cas de blocage de l'hélice. Si le panneau de commande Sidepower d'origine est utilisé, il se désactive automatiquement 6 minutes après la dernière utilisation. Un microprocesseur intégré surveille le relais de puissance, réduisant ainsi l'usure et les risques de blocage. Le propulseur est automatiquement stoppé en cas de blocage du relais ou après 3 minutes de fonctionnement en continu.

I**Caratteristiche tecniche**

- Motore:** Motore c.c. reversibile realizzato specificamente.
- Piede:** In bronzo resistente all'acqua del mare. Cuscinetto a sfere in corrispondenza dell'albero dell'elica e combinazione di cuscinetto a sfere / supporto a slitta in corrispondenza dell'albero di comando.
- Staffa del motore:** SP 75 Ti / SP 95 Ti / SP 125 Ti: alluminio marino
- Tunnel:** In vetroresina filata trasversalmente in grosso, con tunnel in G.R.P. "rowing". Sono disponibili a richiesta tunnel in acciaio e in alluminio.
- Elica:** Elica in kaplan, simmetrica, a 4 pale, in materiale composito rinforzato con fibra di vetro.
- Batterie:** Capacità minima delle batterie raccomandata (capacità avviamento a freddo secondo norma DIN)
SP75Ti 12V : 500 CCA DIN / 24V : 250 CCA DIN
SP95Ti 12V : 700 CCA DIN / 24V : 350 CCA DIN
SP125Ti 12V : 700 CCA DIN / 24V : 350 CCA DIN
- Utilizzo max.:** S2 3D 3 min. o 7-10% circa per un periodo di tempo limitato.
- Sicurezza:** Un dispositivo elettronico di ritardo protegge da danneggiamenti dovuti all'improvviso cambiamento del senso di marcia. Un disgiuntore termico nel motore elettrico protegge dal surriscaldamento (tale dispositivo viene resettato automaticamente quando il motore elettrico si raffredda). Una spina di sicurezza inserita tra il motore elettrico e l'albero di comando protegge il motore elettrico e il piede nel caso che l'elica si blocchi. Un pannello originale Side Power si spegnerà automaticamente dopo 6 minuti dall'ultimo utilizzo. Un microprocessore integrato monitorizza i solenoidi riducendo l'usura ed il rischio di 'incollamento'. Blocco automatico del thruster in caso di 'incollamento' accidentale dei contatti del solenoide o se il segnale di comando persiste per più di 3 minuti continui.

A**Tekniset tiedot**

- Moottori:** Erikoisvalmistettu molempiin suuntiin pyörivä DC-moottori
- Vaihteisto:** Meriveden kestävää pronssia. Kuulalaakeroitu potkuriakseli, yhdistetty kuulalaakerointi ja liukulaakerointi vetoakselissa.
- Moottorilaippa:** SP 75 Ti / SP 95 Ti / SP 125 Ti: Meriveden kestävää alumiinia.
- Tunneli:** Ristikudottu lasikuitutunneli
Teräs ja alumiinitunneleita saatavana.
- Potkuri:** Symmetrinen 4 lapa potkuri, lasikuituvahvistettu komposiitti.
- Akut:** Pienin suositeltu akkukapasiteetti (CCA DIN normit)
SP75Ti 12V : 500 CCA DIN / 24V : 250 CCA DIN
SP95Ti 12V : 700 CCA DIN / 24V : 350 CCA DIN
SP125Ti 12V : 700 CCA DIN / 24V : 350 CCA DIN
- Max. käyttö:** S2 = 3 min. Tai noin 7-10% rajoitetusta ajasta.
- Turvallisuus:** Elektroninen aikaviive suojaa äkinäisiltä suunnanmuutoksilta. Elektroninen lämpörelle suojaa sähkömoottoria ylikuumentumiselta (nollautuu automaattisesti moottorin jäähdettyä).

Sokka tai joustokytkin sähkömoottorin ja vetoakselin välissä suojaavat sähkömoottoria ja vaihteistoa jos potkuri jumittuu. Jos käytetään alkuperäistä SidePower käyttöpaneelia, se sammuu automaattisesti 6 minuutin kuluttua. Sisäänrakennettu mikroprosessori valvoo solenoidia, vähentäen kulumista ja solenoidin lukkiutumisen riskiä. Keulapotkuri sammuu automaattisesti jos solenoidi vahingossa lukkiutuu tai jos keulapotkurin käyttösignaali on 3 minuuttia pidempi.

Prior to installation, it is important that the installer reads this guide to ensure necessary acquaintance with this product.

- ⚠ The thruster must NOT be installed in compartments that require ignition proof electric equipment. If necessary, make a separate compartment.
- ⚠ The electromotor will generate some carbon dust so that any storage compartment must be separated from the thruster to prevent the stored items from becoming dusty/dirty.
- ⚠ If you are installing the Sidepower in a small room /compartment, it should be ventilated to ensure cooling of the electromotor.
- ⚠ If the height in the room you are installing the Sidepower is limited, the Sidepower can be installed horizontally or at any angle in between.
 - If the electro motor is positioned more than 30° off vertical, it must be supported separately.
 - The electromotor must be handled carefully. Do not lift it by the internal connections/main terminals or put it down on the driveshaft.
 - Beware to keep installation within advised measurements. No part of the propeller or gearhouse must be outside the tunnel.
- ⚠ The electromotor, its components, contacts / plugs or other joints in the control cables must be mounted so that they will keep dry at all times.
- ⚠ We advice to paint the gearhouse and propellers with antifouling. PS! Do not paint the zinc anodes, sealings or propellershafts.
- ⚠ Do not finish the inside of the tunnel with a layer of gelcoat / topcoat or similar. It is only room for a thin layer of primer and two layers of anti-fouling between the tunnel and the props.
- ⚠ With the boat on land, only run the thruster for a fraction of a second, as without resistance it will accelerate very fast to a damaging rpm. Also, while the thruster is in air, make sure that the propellers have come to a complete stop before performing a directions change of the thruster, as it might cause damage to the thruster.
- ⚠ This manual is intended to support educated/experienced staff and is therefore not sufficient in all details for the correct installation.
- ⚠ Don't install the electromotor at close range to easily flammable objects as it will reach over 100°C before the temperature switch is activated.
- ⚠ Do not store items close to the thruster motor as it gets hot as well as any loose items near the thruster motor can cause problems with electrical wiring coming loose and short-circuiting.
- ⚠ When installed in boats approved or classified according to international or special national rules, the installer is responsible for following the demands in accordance with these regulations / classification rules. The instructions in this guide can not be guaranteed to comply with all different regulations/classification rules.
- ⚠ These instructions are only general instruction. If you are not skilled to do this work, please contact professional installers for assistance.

NB! Faulty installation of the tunnel, thruster or panel will render all warranty given by Sleipner Motor AS void.

Dieses Manual vor der Installation lesen, um ausreichende Kenntnisse über das Produkt zu erlangen.

- ⚠ Der Thruster darf nicht in Räumen installiert werden, die funkenflugfrei sein müssen. Falls nötig ein eigenes Abteil schaffen.
- ⚠ Der Elektromotor verursacht Karbonstaub, deshalb sollte jeder Lagerraum vom Thruster abgetrennt werden, damit gelagerte Gegenstände nicht verschmutzt/staubig werden.
- ⚠ Wird der Sidepower in einem kleinen Raum / Abteil installiert, so ist dieser zur ausreichenden Kühlung zu ventilieren.
- ⚠ Wenn die verfügbare Höhe begrenzt ist, kann der Sidepower in jedem Winkel bis zur Horizontalen eingebaut werden.
- ⚠ Wird der Motor mehr als 30° außerhalb der Vertikalen eingebaut, so muß dieser abgestützt werden.
- ⚠ Mit dem Elektromotor vorsichtig umgehen. Nicht an den Anschlüssen anheben oder auf die Antriebswelle absetzen.
- ⚠ Die Installation innerhalb der vorgegebenen Maße halten. Es darf kein Teil des Systems aus dem Tunnel herausstehen.
- ⚠ Der Elektromotor, Kontakte, Stecker und andere Verbindungen müssen so installiert werden, daß sie stets trocken bleiben.
- ⚠ Auf Getriebegehäuse und Propeller Antifouling auftragen. PS ! Zinkanoden, Dichtungen, Propellerachse nicht bemalen.
- ⚠ Die Innenseite des Tunnels nicht mit Gelcoat / Topcoat o.ä. behandeln. Nur eine dünne Schicht Primer und zwei Schichten Antifouling auftragen, da zwischen dem Tunnel und den Propellern nur ein geringer Zwischenraum besteht.
- ⚠ Den Thruster an Land nur weniger als eine Sekunde betreiben, da ohne den Wasserwiderstand der Elektromotor beschädigt wird. Vermeiden Sie, auch wenn die Bugschraube ausserhalb des Wassers ist, plötzliche Schubrichtungswechsel während der Thruster noch läuft da dies den Elektromotor beschädigen kann.
- ⚠ Dieses Manual ist für Fachleute ausgelegt. Es sind daher nicht alle notwendigen Details für eine korrekte Installation enthalten.
- ⚠ Da der Motor über 100°C erreichen kann, darf dieser nicht in der Nähe von leicht entflammaren Objekten installiert werden.
- ⚠ Da der Elektromotor sehr heiß werden kann, keine Gegenstände in dessen Nähe lagern. Auch lose Gegenstände in der Nähe des Elektromotors können zu Problemen mit elektrischen Leitungen bis hin zu Kurzschlüssen führen.
- ⚠ Bei Abnahmepflicht nach nationalen oder internationalen Bestimmungen, ist der Installateur für die Einhaltung dieser Bestimmungen verantwortlich. In diesem Leitfaden können zwangsläufig nicht alle weltweit geltenden Bestimmungen berücksichtigt werden.

NB! Bei falscher Installation von Tunnel, Thruster oder Kontrollpanel besteht keinerlei Garantieanspruch.

Før installasjon må instruksjonsmanualen leses gjennom, og bruker må gjøre seg kjent med produktet.

- ⚡ Thrusteren må ikke installeres i rom som der gnister og høy varme medfører brannfare.
- ⚡ Elektromotoren vil produsere karbon støv fra børstene under drift slik at en lagringsplass må fysisk avskilles fra thrusteren for å unngå at det man lagrer blir støvete / møkkete.
- ⚡ Elektromotoren er avhengig av god kjøling, sørg derfor for ventilasjon eller god plass rundt motoren ved montering.
- ⚡ Elektromotoren kan monteres i alle vinkler i fra vertikalt til horisontalt der hvor plassutnyttelsen krever det.
- ⚡ Hvis elektromotoren monteres i en vinkel på mer en 30°, må den støttes opp separat.
- ⚡ Elektromotoren må håndteres forsiktig. Den må ikke bæres etter kontaktpunktene, og motoren må ikke settes ned på drivakselen.
- ⚡ Følg de anbefalte målene som er oppgitt i manualen, propell eller girhus må ikke stikke ut av tunnelen.
- ⚡ Elektromotoren, tilhørende komponenter, kontakter eller åpne ledd i strømkabler må monteres så de ikke utsettes for vann.
- ⚡ Vi anbefaler å male girhuset med bunnstoff. PS sinkanoder, pakninger og propellaksel skal ikke påføres bunnstoff.
- ⚡ Ikke påfør gelcoat / topcoat eller lignende inne i tunellen. Det er bare plasee til ett lag primer og to lag bunnstoff mellom tunellen og propellene.
- ⚡ Når båten ligger på land har ikke elektromotoren den motstanden den har i vann. Motoren bruker derfor ekstremt kort tid før den oppnår ødeleggende høyt turtall. Med båten på land, unngå hurtig bytte av driftsretning da det kan forårsake skade på truster.
- ⚡ Denne manualen er beregnet som støttemateriell for montører med erfaring / utdanning, og har derfor ikke all informasjon nødvendig for å oppnå en korrekt installasjoner.
- ⚡ Installer ikke elektromotoren i nærheten av lett brennbart materiale, da motoren oppnår temperaturer over 100°C ved før den stopper automatisk.
- ⚡ Området intill thrusteren må ikke benyttes som lagringsplass da motoren vil bli varm samt at dette vil medføre en fare for at elektriske koblinger blir løse eller kortslutter
- ⚡ I de tilfeller båter skal godkjennes eller klassifiseres i henhold til internasjonal, eller spesielle standarder, er montør ansvarlig for at de gjeldende lover og regelverk følges. Sleipner Motor AS kan ikke garantere at instruksjonene i denne manualen er i henhold til alle gjeldende regelverk og standarder.

NB ! Ved feilaktig installasjon av panel, thruster eller tunnel frafaller all garanti stilt av Sleipner Motor AS.

SIDE-
POWER
Thruster systems

Avant de procéder au montage, il est important de lire ce guide de montage afin d'acquérir les connaissances nécessaires sur ce produit.

- ⌚ Le propulseur NE DOIT PAS être installé dans un compartiment où l'équipement électrique doit être anti-déflagrant. Si nécessaire, le placer dans un compartiment individuel.
- ⌚ Le moteur électrique dégage de la poussière de charbon et doit donc être isolé des marchandises s'il est installé dans un compartiment de stockage.
- ⌚ Si le Sidepower est installé dans un local réduit, le compartiment devra être ventilé pour assurer un bon refroidissement de l'électromoteur.
- ⌚ Si la hauteur du compartiment est limitée, le propulseur peut être monté incliné jusqu'à l'horizontale.
- ⌚ Si l'électromoteur est incliné de plus de 30°, il DOIT être supporté séparément.
- ⌚ Le moteur électrique doit être manipulé avec précaution. Ne pas le soulever par les câbles internes ni le poser sur l'arbre d'entraînement.
- ⌚ Bien respecter les dimensions recommandées pour l'installation de l'appareil. Aucune partie de l'hélice ou de l'embase ne doit se trouver en dehors du tunnel.
- ⌚ Le moteur électrique, ses composants électriques et les connecteurs doivent être installés en hauteur de façon à ce qu'ils restent au sec en permanence.
- ⌚ Nous recommandons d'entretenir l'embase et les hélices avec de l'antifouling. Par contre, ne pas peindre les anodes zinc, les joints d'étanchéité et les arbres d'hélices.
- ⌚ Ne pas appliquer de finition de type gelcoat/topcoat ou équivalent sur l'intérieur du tunnel. N'appliquer qu'une fine couche de primer et deux couches d'antifouling entre les hélices et le tunnel.
- ⌚ Lorsque le bateau est au sec, faire tourner le propulseur pendant seulement une fraction de seconde car n'étant confronté à aucune résistance, il accélérera très rapidement pour atteindre un nombre de tours préjudiciable. S'assurer que le propulseur est arrêté avant de changer de direction.
- ⌚ Ce manuel a été conçu pour guider un professionnel expérimenté et n'est par conséquent pas suffisamment explicite pour une personne non initiée.
- ⌚ Ne pas installer le moteur électrique trop près d'objets facilement inflammables étant donné que la protection thermique ne se déclenche que lorsque la température atteint 100°C.
- ⌚ Ne rien entreposer trop près du moteur car il peut atteindre des températures importantes, éviter également tous risques de court-circuit pouvant être provoqués par des objets à proximité des câbles de puissance.
- ⌚ Lorsque le propulseur est monté dans des bateaux approuvés ou classés selon des règles internationales ou nationales spéciales, l'installateur est responsable du suivi des demandes par rapport à ces réglementations et règles de classification. Les instructions de ce manuel ne garantissent pas une parfaite harmonisation avec l'ensemble de ces réglementations.

NB: une installation non conforme du tunnel, du propulseur ou du panneau de commande annulera toute prise en garantie de Sleipner Motor AS.

Pianificazione dell'installazione e precauzioni importanti

È importante che l'installatore, prima di procedere all'installazione, legga questa guida per familiarizzarsi con il prodotto.

- ⌚ Il propulsore NON deve essere installato in vani per i quali sono prescritti apparati elettrici a prova di scintilla. Se necessario, creare un vano separato.
- ⌚ Se si sta installando il Sidepower in un locale o un vano piccolo, tale locale o vano deve essere aerato per assicurare il raffreddamento del motore elettrico.
- ⌚ Se il vano o il locale nel quale si sta installando il Sidepower ha un'altezza limitata, è possibile installare il Sidepower orizzontalmente, o con qualsiasi angolazione intermedia.
- ⌚ Se il motore elettrico è posizionato con un angolo superiore a 30° rispetto alla verticale, esso deve avere un apposito sostegno.
- ⌚ Se il motore elettrico è installato in posizione orizzontale, il connettore della scatola di comando elettronica situato sulle elettrovalvole dev'essere rivolto verso il basso.
- ⌚ Occorre maneggiare con cura il motore elettrico. Non sollevarlo afferrandolo per i collegamenti interni e non appoggiarlo sull'albero di comando.
- ⌚ Fare attenzione ad effettuare l'installazione nel rispetto delle misure consigliate. Nessuna parte dell'elica o del piede deve sporgere dal tunnel.
- ⌚ Il motore elettrico, i suoi componenti, i contatti / le prese o altri punti di giunzione nei cavi di controllo devono essere montati in modo che rimangano sempre asciutti.
- ⌚ Si raccomanda di verniciare il piede e le eliche con vernice antivegetativa. N.B.: non verniciare gli anodi di zinco, le sigillature e gli alberi delle eliche.
- ⌚ Con l'imbarcazione fuori dall'acqua provare il thruster solo per frazioni di secondo; senza alcuna resistenza il motore tenderà ad accelerare raggiungendo molto velocemente un numero di giri dannoso per l'unità. In queste condizioni evitare assolutamente di effettuare cambi di direzione repentini mentre il motore è ancora in rotazione poiché si rischia di danneggiare il thruster.
- ⌚ Questo manuale è destinato ad essere utilizzato da personale già esperto, per cui in esso non viene spiegato in modo esauriente come eseguire un'installazione corretta.
- ⌚ Non installare il motore elettrico in prossimità di oggetti facilmente infiammabili, perché esso può raggiungere temperature superiori a 100°C prima che il termico venga attivato.
- ⌚ Quando l'installazione avviene in imbarcazioni di tipo approvato o classificate in base alle norme internazionali o a norme nazionali speciali, l'installatore deve soddisfare i requisiti previsti in accordo con tali norme / regole di classificazione. Non si garantisce che le istruzioni contenute in questa guida siano conformi a tutte le varie norme / regole di classificazione.

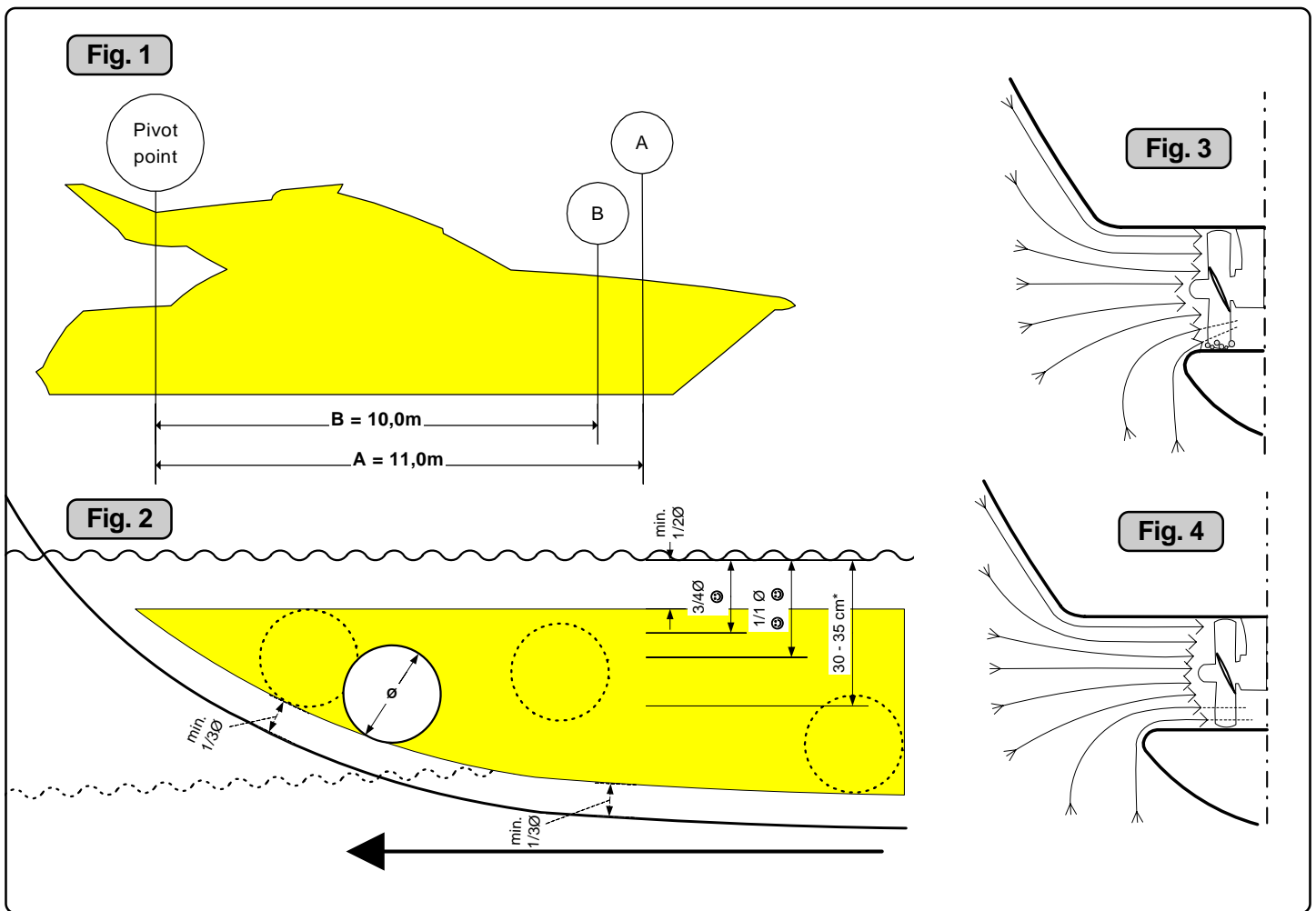
N.B.: l'installazione non corretta del tunnel, del propulsore o del pannello fa decadere ogni garanzia fornita da Sleipner Motor AS.

Ennen asennusta, on tärkeää, että asentaja lukee nämä ohjeet tunteakseen tuotteen riittävästi.

- ☞ Keulapotkuria EI saa asentaa tilaan, johon vaaditaan kipinäsuojattuja laitteita. Jos kuitenkin asennetaan, on tehtävä erillinen lokero keulapotkurille.
- ☞ Jos asennat Sidepower-keulapotkurin pieneen tilaan, täytyy tilan olla ilmastoitu, jotta sähkömoottorin vaadittava jäähdytys varmistuu.
- ☞ Jos tilassa mihin olet asentamassa Sidepoweria on rajoitettu korkeus, voidaan Sidepower asentaa vaakatasoon tai mihin tahansa kulmaan tältä väliltä.
- ☞ Jos sähkömoottori on enemmän kuin 30° pois pystyasennosta, se täytyy erikseen tukea.
- ☞ Jos sähkömoottori on asennettu vaakatasoon, täytyy solenoidissa olevan käyttörasian liittimet osoittaa alaspäin.
- ☞ Sähkömoottoria on käsiteltävä varoen. Älä nosta sitä kytkennöistä tai laita sitä vetoakselin päälle.
- ☞ Pitäkää huolta siitä, että asennus on annettujen mittojen rajoissa. Potkuri ja vaihteisto täytyy olla kokonaan tunnelin sisällä.
- ☞ Sähkömoottori, sen komponentit, liittimet ja muut liitokset käyttökaapeleissa on asennettava niin että ne pysyvät kuivina koko ajan.
- ☞ Suosittelemme, että vaihteisto ja potkurit maalataan antifouling-maalilla. HUOM! Älä maalaa sinkkejä, tiivisteitä tai potkuriakselia.
- ☞ Kun vene on maissa käytä keulapotkuria ainoastaan sekunnin murto-osia, koska ilman vastusta sen kierrosnopeus nousee nopeasti haitalliseksi. Vältä myös suunnanvaihdoksia potkurin pyöriessä ilmassa, tämä voi vahingoittaa keulapotkuria.
- ☞ Tämä käsikirja on tarkoitettu tueksi koulutetuille / kokeneille asentajille, eikä siksi ole jokaista yksityiskohtaa käsittelevä asennusopas.
- ☞ Älä asenna sähkömoottoria helposti syttyvien aineiden läheisyyteen, sillä se saavuttaa yli 100° lämpötilan ennen kuin lämpörele aktivoituu.
- ☞ Asennettaessa veneisiin, jotka ovat hyväksytyjä tai luokiteltuja kansainvälisiin tai erityisiin kansallisiin sääntöihin, on asentajan vastuu seurata näiden sääntöjen vaatimuksia. Tämän käsikirjan ohjeiden ei voida luvata täyttävän kaikkien maiden säännöksiä.

HUOM ! Tunnelin, keulapotkurin tai käyttöpaneelin väärä asennus katkaisee Sleipner Motor AS:n antaman takuun kokonaan.

SIDE-
POWER
Thruster systems



Ⓔ Positioning of the tunnel / thruster

The Thruster should be as far forward as possible (Fig. 1)
 Because of the leverage effect around the boats pivot point, it is very important for the thrusters actual effect in the boat to get it as far forward as possible. The relative distance change from the boats pivot point to the thruster will be the change of actual thrust for the boat.

Example:
 A: 55kg thrust x 11m leverage = 605kgm torque to rotate the boat
 B: 55kg thrust x 10m leverage = 550kgm torque to rotate the boat
 In position A you will get 10% more thrust to turn the boat around.

The thruster should be placed as deep as possible (Fig. 2)
 The tunnel should be placed as deep as possible for two reasons:
 1. So that it does not suck down air from the surface which will destroy the thrust completely.
 2. To get as high as possible a water pressure to get maximum efficiency from the propeller.

Generally the top of the tunnel should be a minimum of 1/2 x the tunnel diameter below the waterline. This is an absolute minimum and we recommend that it is at least 3/4 x tunnel diameter (☉) below the waterline. A really good distance is about 1/1 x tunnel diameter (☉☉) below the waterline.
 When you get the top of the tunnel 30-35 cm* / 1 feet below the surface, other factors should be considered more important, i.e. moving the thruster further forward.

Optimal tunnel length
 If the tunnel gets to long, the friction inside will reduce the water speed and thereby the thrust.
 If the tunnel gets to short (normally only in the bottom section of the tunnel) you can get cavitation problems as the water will not have had time to "straighten" itself before reaching the propeller (Fig. 3&4). This cavitation will reduce performance as well as creating a lot of noise.
 The optimal tunnel length is 2 to 4 x tunnel diameter and you should avoid tunnels longer than 6 to 7 times the tunnel diameter as the performance reduction is then clearly noticeable.

Ⓓ Positionierung von Tunnel / Thruster

Tunnelplatzierung soweit vorne wie möglich (Fig. 1)
 Um einen möglichst großen Abstand vom Drehpunkt des Schiffes zu erreichen, ist der Sidepower möglichst weit vorne einzubauen. Eine Vergrößerung des Abstandes vom Drehpunkt des Schiffes hat eine direkte Auswirkung auf die verfügbare Schubkraft.

Beispiel :
 A: 55kg Schubkraft x 11m = 605kgm zum Wenden des Bootes
 B: 55kg Schubkraft x 10m = 550kgm zum Wenden des Bootes
 In Beispiel A stehen damit 10% mehr Schubkraft zur Verfügung.

Den Tunnel so tief wie möglich positionieren (Fig. 2)
 Den Tunnel aus zwei Gründen so tief wie möglich positionieren:
 1. Damit nicht Luft mitangesaugt wird, die die Schubkraft vollständig herabsetzt.
 2. Um einen möglichst hohen Wasserdruck zu erhalten, um die maximale Effizienz des Propellers erreichen.

Die Oberkante des Tunnels muß mind. einen halben Tunnel-durchmesser unterhalb der Wasserlinie liegen. Dieser Wert ist ein absolutes Minimum. Besser ist ein Wert von ca. 3/4 des Tunnel-durchmessers (☉). Optimal ist eine Abstand von 1/1 x Tunnel-durchmesser (☉☉) zur Wasserlinie.
 Liegt die Oberkante des Tunnels 30-35cm* / 1fuß unterhalb der Wasserlinie, können andere Faktoren berücksichtigt werden.

Optimale Tunnellänge
 Bei einem zu langem Tunnel reduziert der Reibungsverlust die Wassergeschwindigkeit und damit die Schubkraft.
 Bei einem zu kurzem Tunnel (häufig im unteren Bereich des Tunnels) können Kavitationsprobleme entstehen, da sich das Wasser nicht gerade auszurichten kann (Fig. 3&4). Diese Kavitation ist leistungsreduzierend und kann starken Lärm verursachen. Die optim. Tunnellänge ist das 2-4 fache des Tunnel-durchmessers. Tunnellängen von mehr als dem 6-7 fachen des Tunnel-durchmessers sollten vermieden werden, da dadurch die Leistung reduziert wird.

N Plassering av tunnel og thruster

Tunnelen bør plasseres lengst mulig frem i baugen (Fig. 1)

Før å oppnå mest mulig moment rundt båtens dreiepunkt, er det meget viktig å plassere tunnelen så langt fremme som mulig. Avstanden fra båtens dreiepunkt til thruster vil ha stor betydning på thrusterens effekt.

Eks.:

A: 55kg skyvekraft x 11m moment = 605kgm skyvekraft

B: 55kg skyvekraft x 10m moment = 550kgm skyvekraft

Posisjon A vil gi 10% mer skyvekraft til rotasjon.

Tunnelen skal plasseres dypest mulig (Fig. 2)

Tunnelen skal plasseres så dypt som mulig av to grunner:

1. Så luft ikke suges ned i tunnelen å ødelegger skyvekraften.

2. Ved å øke vanntrykket jobber propellen mer effektivt.

Hovedregelen er at tunnelen skal plasseres minimum $\frac{1}{2}$ x tunnelen dia. under vannlinje. Anbefalt dybde er minst $\frac{3}{4}$ x dia. under vannlinje (©). Når tunnelen er plassert 33-35 cm under vannlinjen bør andre faktorer vurderes som viktigere, d.v.s. å plassere tunnelen lengre frem.

Optimal tunnel lengde

Dersom tunnelen blir for lang vil friksjonen i tunnelen redusere vannhastigheten og derved effekten.

Dersom tunnelen blir for kort (normalt bare i nedre del av tunnelen) kan det oppstå kavitasjons problemer da vannet ikke har tid / avstand til å «rette opp strømningsretningen» før det treffer propellen (Fig. 3&4). Denne kavitasjonen vil redusere effekten og lage mye støy.

Den optimale tunnel lengden er 2 til 4 ganger tunnel diameteren og dersom tunnelen blir så mye som 6 til 7 ganger diameteren i lengde vil effekt tapet bli klart merkbart.

F Positionnement du tunnel

Le propulseur devra être placé le plus possible à l'avant du bateau (voir schéma n° 1)

En raison de l'effet levier produit autour du point de giration des bateaux, il est très important, pour la performance réelle des propulseurs, qu'ils soient placés le plus possible à l'avant du bateau. Le couple de rotation dépendra directement de la distance entre le propulseur et le point de giration du bateau.

A :55 kgf de poussée x 11 m = 605 m.kgf de couple de giration

B :55 kgf de poussée x 10 m = 550 m.kgf de couple de giration

En position A, vous obtiendrez 10 % de plus de couple de giration.

Le propulseur devra être placé le plus possible en profondeur (voir schéma n° 2)

Le propulseur devra être placé le plus possible en profondeur pour 2 raisons :

1. De manière à ne pas aspirer l'air en surface ce qui fait chuter totalement la poussée.
2. Pour avoir une pression d'eau aussi élevée que possible afin que le rendement de l'hélice soit maximum.

Généralement, la partie supérieure du tunnel sera située à une distance au minimum égale à la moitié du diamètre du tunnel sous la ligne de flottaison. C'est le strict minimum autorisé et nous conseillons qu'elle soit située à une cote au moins égale aux trois-quarts du diamètre. La distance idéale étant égale au diamètre du tunnel sous la ligne de flottaison. Lorsque la partie supérieure du tunnel est à plus de 30/35cm* sous la flottaison, les autres facteurs deviennent prépondérants. Il est alors souhaitable de déplacer le propulseur plus vers l'avant.

Longueur optimale du tunnel

Si le tunnel est trop long, les frictions à l'intérieur de celui-ci réduiront la vitesse de l'eau et par conséquent la poussée.

Si le tunnel est trop court (partie inférieure du tunnel), cela peut entraîner des problèmes de cavitation car le flux n'aura pas le temps de se stabiliser avant d'atteindre l'hélice (schémas n° 3 & 4). Ce phénomène de cavitation réduit les performances et génère beaucoup de bruit. La longueur optimale du tunnel varie entre 2 et 4 fois le diamètre du tunnel. Jusqu'à 6 à 7 fois le diamètre du tunnel, les frottements sont acceptables.

F1 Tunnelin / keulapotkurin sijoitus

I Posizionamento del tunnel/propulsore

Il propulsore dev'essere posizionato il più a prora possibile (Fig. 1)

Dato che l'effetto di leva aumenta all'aumentare della distanza dal punto di leva dell'imbarcazione, è molto importante che i propulsori siano installati il più possibile verso prora. La variazione della distanza tra il punto di leva dell'imbarcazione e il propulsore provoca una variazione proporzionale della spinta effettiva dell'imbarcazione. *Esempio:*

A: spinta di 55 kg x braccio di 11 m = coppia di 605 kgm, utilizzabile per far ruotare l'imbarcazione.

B: spinta di 55 kg x braccio di 10 m = coppia di 550 kgm, utilizzabile per far ruotare l'imbarcazione.

Nella posizione A si ha il 10% di spinta in più, utilizzabile per far ruotare l'imbarcazione.

Il propulsore deve essere installato alla massima profondità possibile (Fig. 2)

Il tunnel deve essere installato alla massima profondità possibile, per due motivi:

1. in modo che non venga aspirata dell'aria dalla superficie (ciò distruggerebbe completamente la spinta);
2. per avere la massima pressione dell'acqua, onde ottenere la massima efficienza dall'elica.

In genere la parte superiore del tunnel deve trovarsi a una distanza minima di almeno $\frac{1}{2}$ x diametro del tunnel al di sotto della linea di galleggiamento. Tale distanza è un valore minimo assoluto; si raccomanda di adottare una distanza pari ad almeno $\frac{3}{4}$ x diametro del tunnel al di sotto della linea di galleggiamento. Risultati ancora migliori si otterranno con una distanza corrispondente a circa $\frac{1}{1}$ x diametro del tunnel al di sotto della linea di galleggiamento.

Quando la parte superiore del tunnel si trova a 30-35 cm* (1 piede) sotto la superficie, occorre considerare altri fattori più importanti, per esempio lo spostamento del propulsore ancora più verso prora.

Lunghezza ottimale del tunnel

Se il tunnel è troppo lungo, l'attrito al suo interno riduce la velocità dell'acqua e, di conseguenza, la spinta. La lunghezza ottimale del tunnel è pari a 2-4 volte il diametro del tunnel.

Tuttavia ciò non ha alcuna influenza quando la lunghezza del tunnel è inferiore a 6-7 volte il diametro del tunnel.

Keulapotkuri pitäisi asentaa niin eteen kuin mahdollista (Kuva 1)

Veneen kääntöpisteen vipuvaikutuksen ansiosta, on erittäin tärkeää keulapotkurin todellista työntövoimaa ajatellen, että se asennetaan niin eteen kuin mahdollista. Relatiivinen etäisyys veneen kääntöpisteestä keulapotkuriin on suoraan verrattavissa keulapotkurin todelliseen työntövoimaan.

Esimerkki:

A: 55kg työntö x 11m etäisyys = 605kgm työntövoima veneen kääntämiseen

B: 55kg työntö x 10m etäisyys = 550kgm työntövoima veneen kääntämiseen

Vaihtoehdossa A saat 10% enemmän voimaa veneen kääntämiseen.

Keulapotkuri pitäisi asentaa niin syvälle kuin mahdollista (Kuva 2)

Tunneli pitäisi olla mahdollisimman syvällä kahdesta syystä:

1. Ettei se imaise ilmaa pinnasta, jolloin työntövoima katoaa.
2. Saadakseen suurimman mahdollisen vedenpaineen, jolloin potkurista saadaan maksimi teho.

Yleisesti ottaen pitäisi tunnelin yläreunan olla $\frac{1}{2}$ x tunnelin halkaisijan verran vesilinjan alapuolella. Tämä on ehdottomasti minimi ja suosittelemme vähintään $\frac{3}{4}$ x tunnelin halkaisijan verran vesilinjan alla. Oikein hyvässä asennuksessa tunnelin yläreuna on 1 x tunnelin halkaisija vedenpinnan alapuolella.

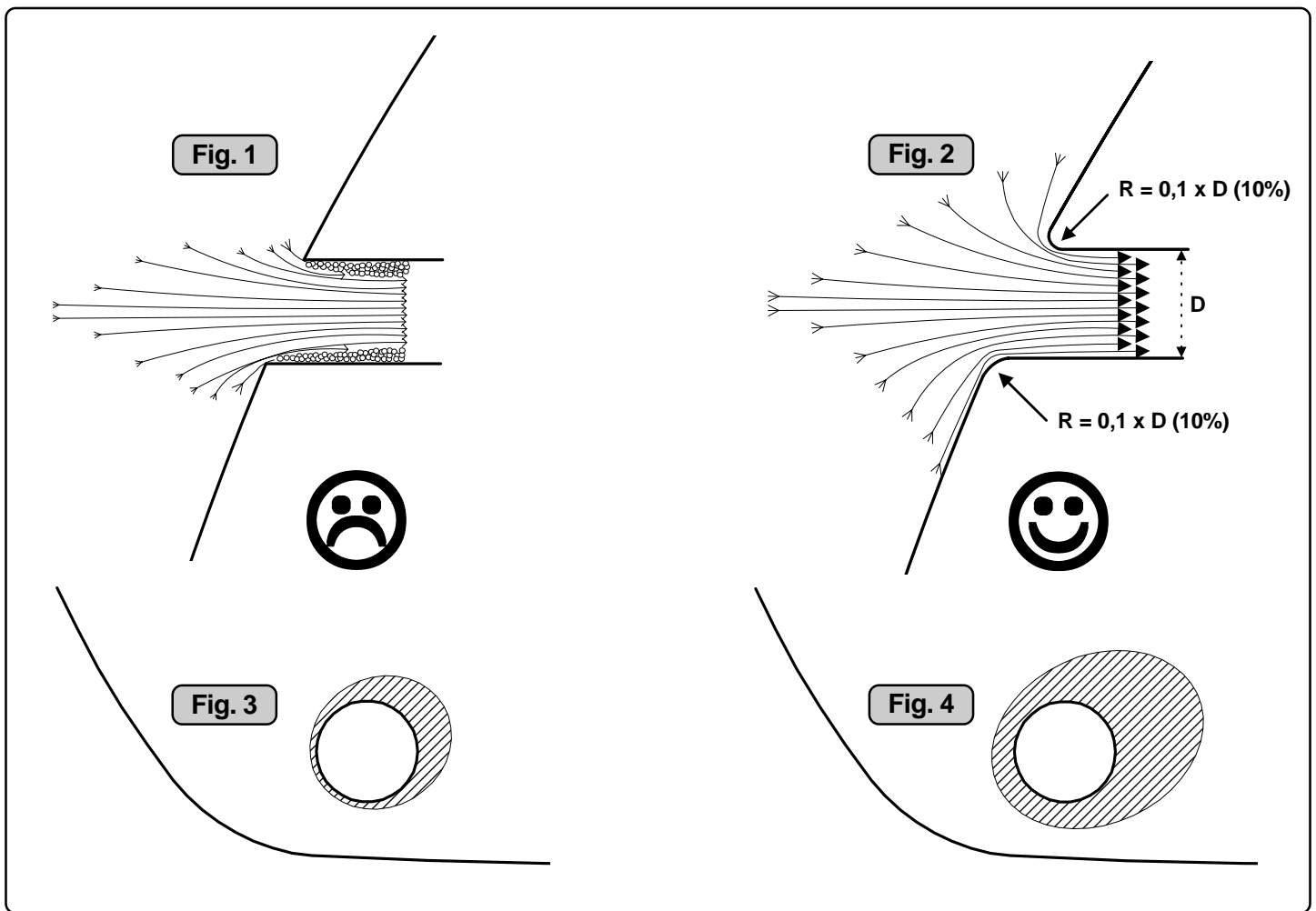
Jos saat tunnelin yläreunan 30-35 cm* vedenpinnan alapuolelle, muita tekijöitä pitäisi pitää tärkeämpinä, ja siirtää keulapotkuria eteenpäin.

Optimaalinen tunnelin pituus

Jos tunneli on liian pitkä, vähentää vastus vedenvirtausta ja näin ollen myös työntövoimaa.

Optimaalinen tunnelin pituus on 2-4 x tunnelin halkaisija.

Tällä vastuksella on kuitenkin erittäin pieni merkitys, kun tunnelin pituus on alle 6-7 x tunnelin halkaisija.



GB Tunnel ends

Rounded tunnel ends will maximize thrust and minimize noise.

We recommend rounding the tunnel connection to the hull-side as much as possible.
The optimum rounding has a radius of 10% of the tunnels diameter.

Important advantages over sharp tunnel to hull connections are:

1. The rounded tunnel end will prevent creation of turbulence cavitation that will come from a sharp tunnel end when water passes by fast, thereby preventing a double negative impact on the thrust and noise level (Fig. 1 & 2).
 - The turbulence / cavitation blocks the outer area of the tunnel and thereby reduces the effective tunnel diameter and thrust.
 - The turbulence / cavitation hits the propeller and thereby reduce the propellers performance and creates noise.
2. The curved tunnel end makes the thruster take water also from along the hull-side, creating a vacuum that will suck the boat sideways and thereby give additional thrust (Fig. 3 & 4).
With a sharp tunnel end, the thruster will be unable to take water from along the hull-side, and you will not get the desired vacuum and additional thrust. This "free" additional thrust can in optimal installations be as much as 30 - 40% of the total thrust.

NB! A Sidepower thruster propeller does not cavitate at working speed so that all cavitation and cavitation noise in the tunnel will be caused by the tunnel installation.

NB! Even if it is not possible to make the perfect rounding, it is very important to round the tunnel end as much as possible. A angled tunnel to hull connection will also do much of the same job as a rounded connection (see page 20, Fig. 1b & 1d).

D Formgebung der Tunnelenden

Abgerundete Tunnelenden erhöhen die Schubkraft und reduzieren das Geräuschniveau.

Der Bereich Tunnelende / Außenseite des Rumpfes ist soweit möglich abzurunden. Der optimale Wert für den Radius dieser Rundung beträgt 10% des Tunneldurchmessers.

Vorteile gegenüber einer scharfen Tunnel / Rumpfverbindung sind:

1. Abgerundete Tunnelenden verhindern Turbulenzen / Kavitation, wie sie an scharfenkantigen Tunnelenden auftreten. Damit werden zwei negative Auswirkungen auf Schubkraft und Geräuscentwicklung vermieden (Fig. 1 & 2).
 - Turbulenz / Kavitation blockieren den äußeren Tunnelbereich. Dadurch werden effektiver Tunneldurchmesser und Schubkraft reduziert.
 - Die Turbulenz / Kavitation trifft auf den Propeller und reduziert dessen Effektivität und führt zu zusätzl. Geräuscentwicklung.
2. Abrundungen ermöglichen, daß Wasser entlang der Rumpfaußenseite angesaugt werden kann. Dadurch entsteht ein Vakuum ("zusätzliche" Schubkraft), das das Schiff seitwärts bewegt (Fig. 3 & 4). Bei scharfkantigen Enden kann kein Wasser entlang der Rumpfaußenseite angesaugt werden, wodurch das benötigte Vakuum nicht zustande kommt. Diese Schubkraft kann bei optimaler Installation bis zu 30-40% der absoluten Schubkraft betragen.

NB! Sidepower Propeller sind so ausgelegt, daß sie nicht kavitieren, sodaß die Geräuscentwicklung aufgrund von Kavitation durch die Tunnelinstallation bedingt ist.

NB! Ist eine optimale Abrundung nicht möglich, so sind die Tunnelenden soweit möglich abzurunden. Angeschragte Tunnel / Rumpfverbindungen sind zu einem gewissen Grad ebenfalls mit ähnlich positiven Auswirkungen wie eine Abrundung verbunden (siehe Seite 20, Fig. 1b & 1d).

Avrundede åpninger vil minke støy, og maksimere effekt.

Vi anbefaler å avrunde tunnelåpningene mest mulig. Den optimale avrundingen har en radie som er 10% av tunnelens diameter.

Hvorfor er en avrundet tunnelåpning så viktig?

1. En avrundet tunnelåpning vil forhindre at det oppstår turbulens / kavitasjon, noe som vil oppstå ved en installasjon med skarpe kanter. Turbulensen forårsaker mer støy, og begrenser skyvekraften.
 - Turbulensen / kavitasjonen blokkerer tunnelen og svekker skyvekraften.
 - I det kavitasjon og turbulens når propellen påvirkes ytelsen til denne og øker støyen.
2. En avrundet tunnelåpning gjør også at thrusteren suger vann langs skroget på båten. Dermed oppstår det et lavtrykk som vil hjelpe å suge båten i dreieretningen. Med skarpe åpninger klarer ikke thrusteren å suge vann langs skroget, og lavtrykket uteblir. Så mye som 40% av skyvekraften har blitt målt til å ligge her på noen installasjoner.

NB! Propellene til Sidepower thrustere kaviterer ikke på arbeids-hastighet, så kavitasjon og støy som oppstår som følge av kavitasjon, skapes av tunnel installasjonen.

NB! Selv der en perfekt avrunding ikke er mulig er det viktig å runde av kantene så mye som mulig, en tunnelåpning med skråkant vil ha stor effekt fremfor en med skarpkant (se side 20, ill. 1b & 1d).

Un tunnel dont les extrémities sont arrondies favorisera au maximum la poussée et minimisera le bruit.

Nous conseillons d'arrondir autant que possible les raccords du tunnel de chaque côté de la coque.

Le rayon de l'arrondi optimum représente 10% du diamètre du tunnel.

Avantages importants d'un tunnel aux extrémities arrondies:

1. Une extrémite du tunnel arrondie évite la création de turbulences/ cavitations provenant d'une vitesse d'eau trop grande sur une arête vive et évite par conséquent un double impact négatif sur la poussée et le niveau sonore (voir schémas n° 1 et 2).
 - les turbulences/cavitations bloquent le passage extérieur du tunnel et réduisent par conséquent le diamètre efficace du tunnel et la poussée.
 - les turbulences/cavitations atteignent l'hélice et par conséquent réduisent ses performances et provoquent du bruit.
2. Les extrémities arrondies du tunnel permettent au propulseur de prendre également de l'eau le long du bordé, créant une dépression qui aspirera le bateau latéralement et donnera par conséquent une poussée supplémentaire (voir schémas n° 3 et 4). Avec une extrémite en arête vive, le propulseur ne sera pas capable de prendre l'eau le long du bordé, et vous n'obtiendrez pas la dépression et la poussée supplémentaire escomptées. Le surplus de poussée peut être au plus de 30-40 % de la poussée totale, dans le cas d'une installation optimale.

NB: l'hélice d'un propulseur Sidepower ne cavite pas en fonctionnement normal. Toute cavitation et bruit de cavitation ne peuvent être causés que par une installation non conforme.

NB: même s'il n'est pas possible de faire un arrondi parfait, il est très important d'arrondir l'extrémite du tunnel au maximum. Un raccordement biseauté entre le tunnel et la coque jouera également en grande partie le même rôle qu'un raccord arrondi (voir page 20, schémas n° 1b et 1d).

L'arrotondamento delle estremità del tunnel consente di avere la massima spinta e ridurre al minimo la rumorosità.

Si raccomanda di arrotondare il più possibile il raccordo del tunnel alla fiancata dello scafo. L'arrotondamento ottimale corrisponde a un raggio di curvatura pari al 10% del diametro del tunnel.

L'arrotondamento delle estremità del tunnel implica degli importanti vantaggi:

1. Le estremità arrotondate del tunnel impediscono la creazione di turbolenze e la cavitazione (che viene invece provocata dalle estremità a spigolo vivo del tunnel quando l'acqua passa ad alta velocità); in tal modo si evita un doppio effetto negativo, sulla spinta e sulla rumorosità (Figg. 1 e 2).
 - La turbolenza / cavitazione blocca l'area esterna del tunnel e in tal modo riduce il diametro efficace del tunnel e la spinta.
 - La turbolenza / cavitazione colpisce l'elica, riducendone in tal modo le prestazioni e creando rumore.
2. L'estremità ricurva del tunnel fa sì che il propulsore aspiri l'acqua anche dalle fiancate dello scafo, creando una depressione che sposta lateralmente l'imbarcazione (si tratta in definitiva di una spinta aggiuntiva) (Figg. 3 & 4). Quando le estremità del tunnel sono a spigolo vivo, il propulsore non è in grado di aspirare l'acqua dalle fiancate, per cui non si ha l'aspirazione desiderata e la spinta aggiuntiva. Questa spinta aggiuntiva, nelle installazioni ottimali, può raggiungere il 30 - 40% del spinta totale.

N.B.: l'elica del propulsore Sidepower non cavita alle velocità di regime, per cui tutta la cavitazione, e tutto il rumore da essa prodotto, saranno provocati dall'installazione del tunnel.

N.B.: anche se non è possibile ottenere un arrotondamento perfetto, è tuttavia molto importante arrotondare il più possibile le estremità del tunnel. Una connessione angolata tra tunnel e scafo è efficace quanto una connessione arrotondata (v. a pag. 20, Figg. 1b e 1d).

Pyöristetyt tunnelin päät antavat suurimman työntövoiman ja vähentävät melua.

Suosittellemme, että tunnelin liitosta veneen kylkeen pyöristetään niin paljon kuin mahdollista.

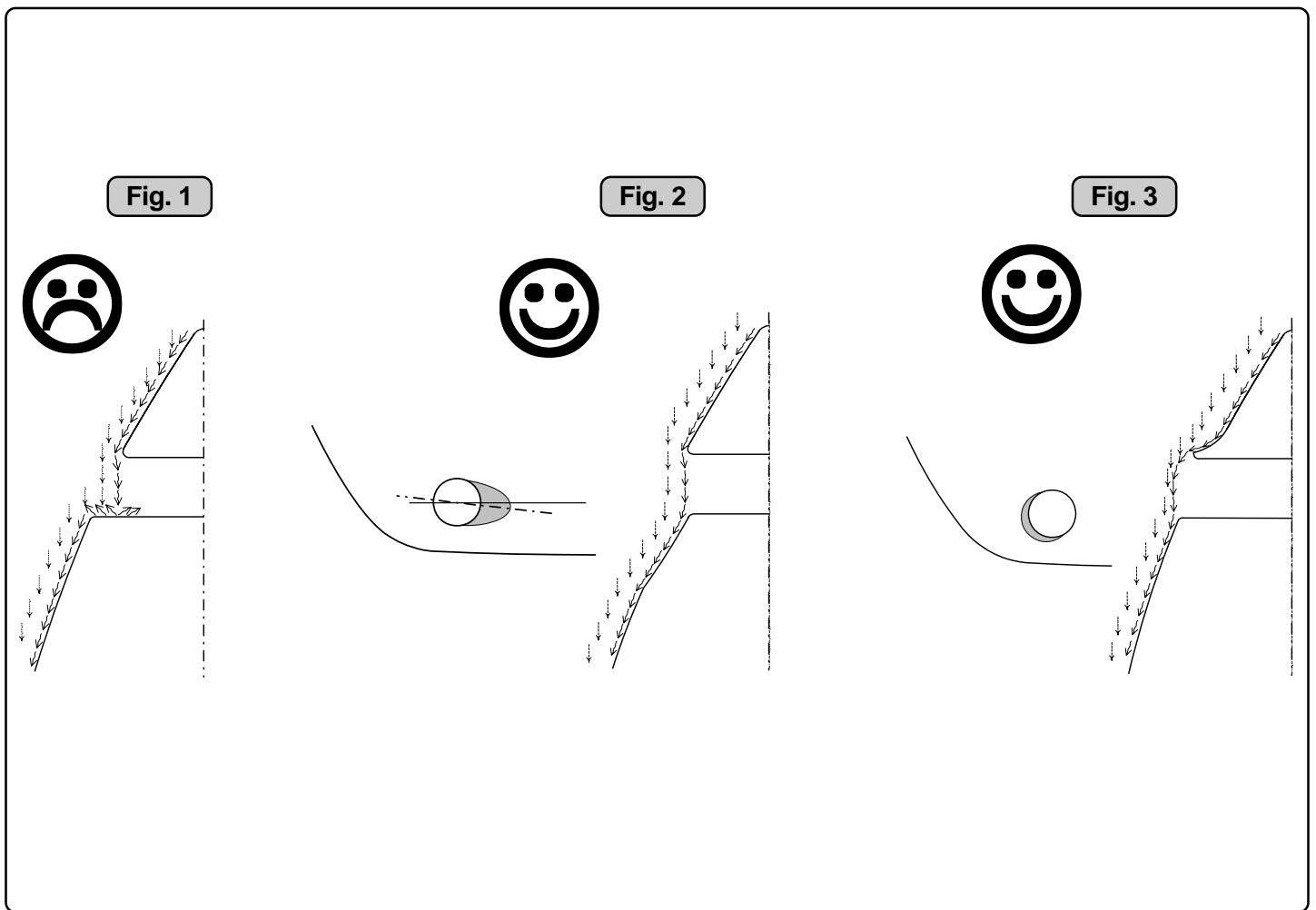
Optimaalinen pyöristykseen säde on 10% tunnelin halkaisijasta.

Hyvän tunneli/runko -liitoksen etuja on:

1. Pyöristetty tunnelin pää estää turbulenssin / kavitaation syntymistä, joka syntyy kun vesi virtaa korkealla nopeudella terävän reunan ohi, näin ollen estäen negatiivisen vaikutuksen työntövoimaan ja meluun (Kuvat 1 & 2).
 - Turbulenssi / kavitaatio sulkee tunnelin ulkopuolisen alueen ja näin ollen vähentää tunnelin tehokasta halkaisijaa ja työntövoimaa.
 - Turbulenssi / kavitaatio osuu potkuriin ja vähentää potkurin tehoa ja lisää melua.
2. Pyöristetyt tunnelin päät sallivat myös keulapotkurin ottavan vettä veneen kylkeä pitkin, jolloin syntyy alipaine joka "imee" vettä sivuttain ja näin antaa lisää työntövoimaa (Kuvat 3 & 4). Terävällä tunnelin reunalla, keulapotkuri ei pysty ottamaan vettä veneen kylkeä pitkin, ja haluttua alipainetta ja lisävoimaa ei saavuteta. Tämä "ilmainen" lisä työntövoimaan voi olla jopa 30 - 40% todellisesta työntövoimasta.

HUOM! Sidepowerin potkuri ei kavitoi työnopeuksissa, joten kaikki kavitaatio ja kavitaatiomelu johtuvat tunnelin väärästä asennuksesta.

HUOM! Jos ei ole mahdollista tehdä täydellistä pyöristystä, on erittäin tärkeää, että tunnelin päät pyöristetään niin paljon kuin mahdollista. Tunnelin ja kyljen välinen kulmaliiotos ajaa suuren osan samasta asiasta kuin pyöristetty liitos (katso sivu 20, kuvat 1b & 1d).



GB Prevent drag from tunnel

A possible problem in sailboats or fast powerboats is that they get a drag from the back face of the tunnel, as this becomes a “flat” area facing the water flow (Fig. 1).

This can also create problems with the thruster spinning (passive) and making noise while sailing or driving the boat with water being pushed through the tunnel at high speed.

This can be solved in two different ways, depending on what is possible or easier to do.

1. The best solution which normally reduces the drag most is to make a recess in the hull at the back of the tunnel. Thereby the back face is gone and about all the drag (Fig. 2). The depth and shape of this recess will depend on the boat. Basically you should not see the back face of the tunnel when standing directly in front of the tunnel at the angle of the boats centreline. The angle up or down backwards of the insert in the hull, depends on the hull shape, but normally it is angled slightly down because of the water flow on this area of the hull.
2. The drag will also be reduced a lot, especially in fast power boats, by making a deflector / spoiler in front of the tunnel. This will push the water flow out from the hull so that most of it passes by the back face of the tunnel (Fig. 3).
The shape and size of this deflector will depend on the hull shape. Basically you should not see the back face of the tunnel when standing directly in front of the tunnel at the angle of the boats centreline. The easiest way of making this is to let a part of the tunnel stick out in the lower forward area of the hole, and use this as a support to mould a soft curve/spoiler shape.

Remember to still round the tunnel ends as much as possible to get optimum thruster performance and minimum noise. For more information on how to practically do this see page 20.

D Optimaler Strömungsverlauf am Rumpf

Segelboote und sehr schnelle Booten können gelegentlich durch auf die rückseitige Fläche des Tunnels auftreffendes Wasser gebremst werden (Fig. 1).

Dies kann dazu führen, daß sich der Thruster durch den permanenten Wasserdurchfluß hörbar passiv zu drehen beginnt.

Das Problem kann je nach Möglichkeit auf zwei Arten beseitigt werden.

1. Der störende Effekt wird am deutlichsten reduziert, indem man im Rumpfbereich hinter dem Tunnel eine Aussparung vornimmt. Dadurch werden Auftrefffläche und störender Effekt eliminiert (Fig. 2).
Tiefe und Form dieser Aussparung hängen vom Boot ab. Die Innenseite des Tunnels sollte von vorne prinzipiell nicht sichtbar sein.
Der mögliche Winkel der Aussparung hängt meist von der Rumpfform ab. Bedingt durch die Wasserströmung in diesem Bereich sollte dieser Winkel leicht nach unten gerichtet sein.
2. Der Geschwindigkeitsverlust kann speziell bei schnellen Booten durch einen Abweiser bzw. Spoiler vor dem Tunnel deutlich reduziert werden.
Das Wasser wird so beeinflusst, daß es größtenteils an der frontalen Fläche vorbei geleitet wird (Fig. 3).
Form und Größe des Abweisers hängen von der Rumpfform ab. Prinzipiell sollte auch hier die Innenseite des Tunnels von vorne nicht sichtbar, sondern durch den Abweiser verdeckt sein.
Dieser läßt sich einfach realisieren, indem man den Tunnel ein Stück aus dem Rumpf herausstehen läßt und darauf einen geschwungenen Abweiser / Spoiler formt.

Die Tunnelenden sind zur vollen Leistung und minimalen Geräuschentwicklung des Thrusters weitgehend abzurunden. Weitere Informationen siehe Seite 20.

N Motstand forårsaket av tunnel

Et mulig problem for seilbåter eller meget hurtiggående båter er motstand i tunnelen. Aktre ende på tunnelen vil være en liten loddrett flate mot vannstrømmen som skaper uønsket motstand.

Denne flaten kan også forårsake problemer med at vann føres inn i tunnelen under seilas, eller kjøring i høy fart og får da propellen til å rotere, dette skaper uønsket støy.

Det er to mulige løsninger på problemet, avhengig av hva som er enklest å få til på båten.

1. Den løsningen som vanligvis reduserer motstanden mest er å lage en fordykning i skroget i aktre ende av tunnelåpningen. Den loddrette flaten vil da forsvinne og dermed motstanden. Hovedregelen å følge er at bakkanten av tunnelen ikke skal synes når man står rett foran båten å titter akterover langs båten senterlinje. Dybden, utformingen og vinkling av fordypningen avhenger av båttypen, og hvordan vannet følger skroget, men de fleste båter vil være tjent en fordykning som vinkler lett nedover (Fig. 2).
2. Motstanden vil også reduseres av en spoiler i forkant av tunnelen. Spoileren fører det meste av vannstrømmen rundt og forbi tunnelen. Størrelsen og utformingen på spoileren avhenger av båten. Hovedregelen er at bakkanten av tunnelen ikke skal synes når man står rett foran båten å titter akterover langs båten senterlinje. Den enkleste måten å lage spoileren på er å la tunnelen stikke ut i forkant av tunnelen, og forme spoileren opp mot den (Fig. 3).

Det er alltid viktig å avrunde tunnelåpningene mest mulig for å motvirke støy og for å få mest mulig effekt av thrusteren. Mer informasjon om dette på side 20.

F Prévention des traînées d'eau du tunnel

Sur les voiliers ou les vedettes rapides, il est possible d'être confronté au problème de traînées sur la face arrière du tunnel étant donné que cela provoque une surface plate face au flux de l'eau (voir schéma n° 1).

Cela peut également créer des problèmes d'entraînement d'hélice et engendrer du bruit pendant la navigation ou dévier le bateau en raison de l'eau qui entre à grande vitesse dans le tunnel.

Ce problème peut être résolu de 2 manières, selon les difficultés de mise en œuvre:

1. La meilleure solution, qui réduira normalement au mieux les traînées, est de faire un décrochement dans la coque à l'arrière du tunnel. De ce fait, la face arrière est éliminée ainsi que toutes les traînées. La profondeur et la forme de ce décrochement seront fonction du bateau. Normalement, on ne devrait pas voir la face arrière du tunnel lorsque l'on se trouve face à l'étrave. L'inclinaison verticale, à l'arrière de l'entrée de la coque, dépend de la forme de la coque ; mais l'inclinaison s'effectue généralement légèrement vers le bas en raison du flux de l'eau à cet endroit.
2. Les traînées seront également réduites de beaucoup, et spécialement sur les vedettes rapides, à l'aide d'un déflecteur à l'avant du tunnel. Cela repoussera le flux de l'eau en dehors de la coque et ainsi la majeure partie de l'eau sera déviée de la face arrière du tunnel (voir schéma n° 3). La forme et la taille de ce déflecteur dépendront de la forme de la coque. Normalement, on ne devrait pas voir la face arrière du tunnel lorsque l'on se trouve face à l'étrave. Le moyen le plus facile pour obtenir ce déflecteur consiste à laisser dépasser le tunnel de la coque sur la partie la plus avant et à utiliser celui-ci comme support de moulage. Ne pas oublier qu'il est très important de garder les extrémités du tunnel aussi arrondies que possible pour que les performances du propulseur soient optimales et le niveau sonore réduit au minimum (voir page 20 pour plus de détails).

I Come prevenire la resistenza provocata dall'installazione del tunnel

Un problema che si può presentare nelle imbarcazioni a vela o nelle imbarcazioni a motore veloci, è la resistenza al moto provocata dalla faccia posteriore del tunnel, in quanto essa diventa un'area "piatta" prospiciente il flusso d'acqua (Fig. 1).

Ciò può creare problemi anche con il propulsore rotante (passivo) e generare rumore quando si naviga a vela o a motore con l'acqua che viene sospinta nel tunnel ad alta velocità.

Tale problema può essere risolto in due modi diversi; la scelta del metodo dipenderà da ciò che è possibile o più agevole fare.

1. La soluzione migliore che di norma provoca la massima riduzione della resistenza al moto, è quella che consiste nel praticare una rientranza nello scafo nella parte posteriore del tunnel. In tal modo la faccia posteriore sparisce e così quasi tutta la resistenza al moto (Fig. 2). La profondità e la forma di questa rientranza dipenderanno dall'imbarcazione. In sostanza, un osservatore posto davanti al tunnel, con un'angolazione identica a quella del mezzeraia dell'imbarcazione, non deve vedere la faccia posteriore del tunnel. L'angolazione verso l'alto o verso il basso della parte posteriore dell'inserto nello scafo dipende dalla sagoma dello scafo; di solito si ha una leggera angolazione verso il basso, a causa del flusso d'acqua su questa area dello scafo.
2. La resistenza al moto viene inoltre ridotta di molto, in particolare nelle imbarcazioni a motore veloci, realizzando un deflettore o un baffo davanti al tunnel. In tal modo il flusso d'acqua viene deviato e allontanato dallo scafo, per cui la maggior parte di esso passa per la faccia posteriore del tunnel (Fig. 3). La sagoma e le dimensioni di questo deflettore dipendono dalla sagoma dello scafo. In sostanza, un osservatore posto davanti al tunnel, con un'angolazione identica a quella della mezzeraia dell'imbarcazione, non deve vedere la faccia posteriore del tunnel. Il modo più semplice per far ciò è quello che consiste nel far sì che una parte del tunnel sporga nell'area inferiore verso prora del foro, e utilizzarla come supporto per stampare una sagoma di un baffo dalle linee morbide.

Si rammenti che occorre comunque arrotondare il più possibile le estremità del tunnel per ottenere prestazioni ottimali del propulsore e ridurre al minimo la rumorosità. Per maggiori informazioni su come effettuare in pratica tale operazione, vedere a pag. 20.

FI Väilty tunnelin vastuksesta

Mahdollinen ongelma purjeveneissä tai nopeissa moottoriveneissä on, että tunnelin takasivu antaa vastuksen (tunneli laahaa), koska siitä tulee suora pinta veden virtausta vastaan (Kuva 1).

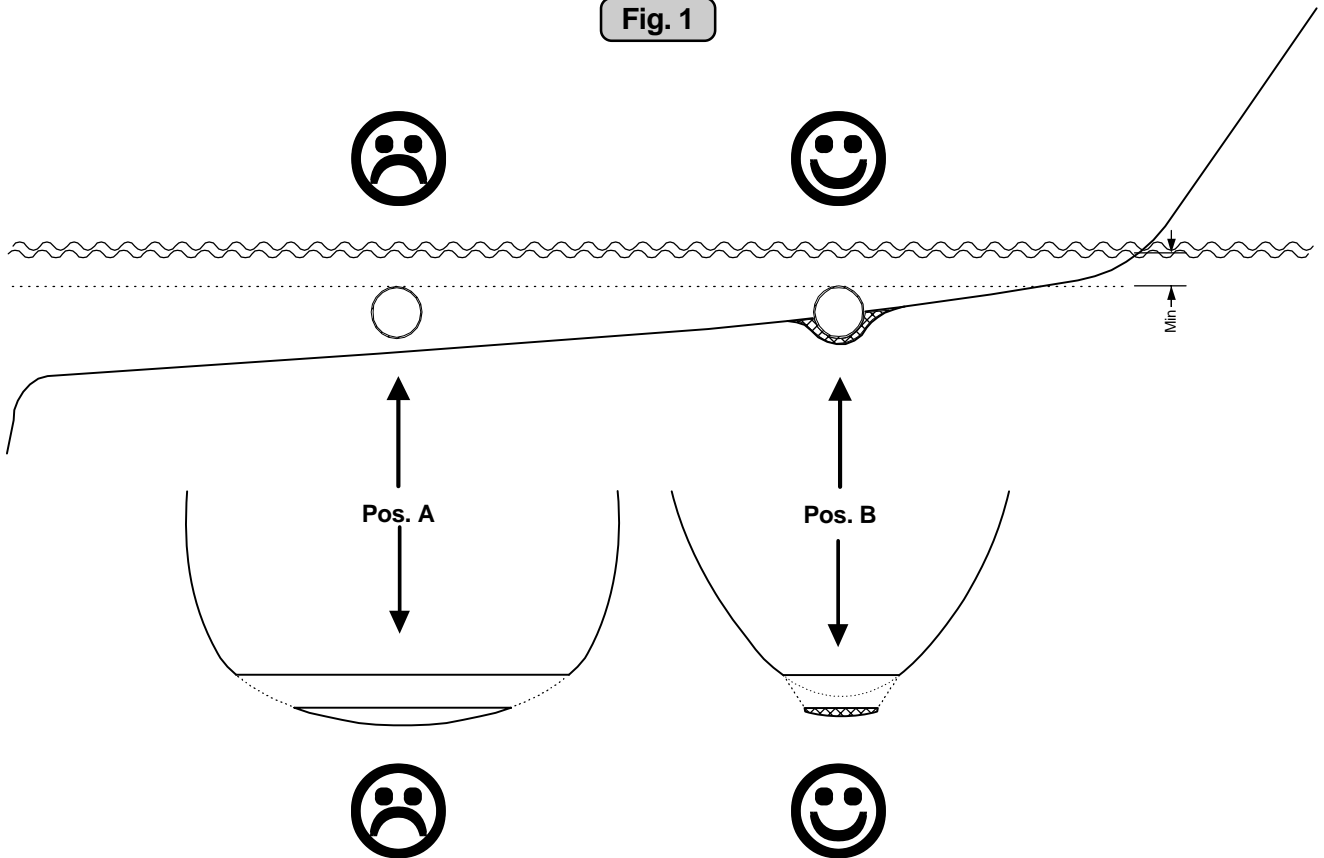
Tämä voi myös aiheuttaa ongelmia keulapotkurin pyöriessä (passiivisesti) ja aiheuttaa melua purjehdittaessa tai veneellä ajettaessa, kun vettä työntyy suurella nopeudella putken läpi.

Tämä ongelma voidaan ratkaista kahdella tavalla, riippuen siitä kumpi on helpompi tai mahdollista tehdä.

1. Paras ratkaisu tähän, mikä normaalisti vähentää vastusta eniten, on syvennyksen tekeminen tunnelin takaosaan. Näin vastusta aiheuttava suora pinta on poistettu ja myös vastus (Kuva 2). Tämän syvennyksen muoto ja syvyys on venekohtainen. Voidaankin sanoa, että tunnelin takaseinää ei pitäisi nähdä, kun seisoo tunnelin edessä ja katsoo veneen keskiviiva pitkin. Syvennyksen kulma ylös tai alas, riippuu rungon muodosta, mutta normaalisti sen kulma on hieman alaspäin vedenvirtauksista johtuen.
2. Vastusta voidaan myös vähentää, erityisesti nopeissa moottoriveneissä, tekemällä spoileri tunnelin eteen. Tämä työntää vesivirran ulos kyljestä ja suurin osa siitä ohittaa takaseinän suoran pinnan (Kuva 3). Tämän suojalevyn /spoilerin muoto ja koko riippuu rungon muodosta. Voidaankin sanoa, että tunnelin takaseinää ei pitäisi nähdä, kun seisoo tunnelin edessä ja katsoo veneen keskiviiva pitkin. Helpoin tapa tehdä tämä, on jättää tunnelin reuna (etuosan alaosa) hieman rungon ulkopuolelle, ja käyttää tätä tukena spoilerin muodostamisessa.

Muista kuitenkin aina pyöristää tunnelin päät niin paljon kuin mahdollista saadaksesi mahdollisimman paljon työntövoimaa ja vähiten melua. Enemmän ohjeita tämän toteuttamisesta sivulla 20.

Fig. 1



EB Tunnel installation in sailboats

Many sailboats have a racing type hull which means that it is very flat bottomed and has a very shallow draft in the bow section. It is thereby very difficult not to say impossible to fit a tunnel thruster the usual way, at least as far forward in the hull as a thruster should be (Fig. 1).

However, it is possible to install a tunnel thruster in most sailboats, even when the hull does not directly support the fitting of a tunnel.

This is done by fitting the tunnel halfway into and halfway underneath the existing hull and then strengthen it and smoothing the water flow by moulding a bulb around / underneath the tunnel.

This will allow installation in good position on the boat, maintaining the reliability and space advantages of a tunnel thruster.

This installation is being used by some of the world's largest sailboat builders, and has been proven to give little to no speed loss for normal cruising.

This can also be a good installation method for flat bottomed barges to avoid extremely long tunnels and huge oval tunnel openings in the hull.

D Installation in Segelbooten

Segelboote weisen häufig einen Rumpf in Rennform auf, was einen sehr flachen Rumpf im Bugbereich bedeutet. Es ist daher schwierig oder fast unmöglich, den Tunnel an der gewünschten (effektivsten) Stelle, also möglichst weit vorne im Bug zu platzieren (Fig. 1).

Trotzdem ist es vielfach möglich unter diesen Bedingungen eine Bugschraube einzubauen, auch wenn der Tunnel damit nicht völlig vom ursprünglichen Rumpf umgeben ist.

Der Tunnel wird zur Hälfte in den bestehenden Rumpf integriert, die andere Hälfte geht über diesen hinaus. Der Tunnel muß nur noch verstärkt und strömungsgünstig abgerundet werden.

Dies erlaubt eine Installation in geeigneter Position bei Nutzung der Zuverlässigkeits- und Platzvorteile einer Tunnelschraube.

Diese Installationsart wird von einigen der weltweit führenden Segelboothersteller verwendet und führt meistens nur zu einem äußerst geringen bzw. gar keinem Geschwindigkeitsverlust.

Diese Bauweise ist auch für Barkassen (z.B. Flußboote) mit flachem Bug geeignet, um einen zu langen Tunnel und große ovale Tunnelöffnungen im Rumpf zu vermeiden.

N Tunnel installasjon på seilbåter

Mange seilbåtskrog er bygget for å oppnå høy fart. De har brede skrog som ikke stikker dypt i baugen. Skrogtypen gjør det vanskelig å installere en thrustertunnel på vanlig måte, spesielt med tanke på å plassere den langt nok frem (Fig. 1).

Thrustertunneler kan allikevel installeres i de fleste seilbåter. Dette gjøres ved å la en del av tunnelen stikke ut i underkant av skroget. Tunnelen er sterk nok til dette, og thrusteren blir plassert lav nok og langt nok fremme.

Dette gjøres ved at øvre halvdel av tunnelen støpes inn i skroget, tunnelen styrkes i underkant ved å støpe en kul rundt tunnelen og jevne den ut mest mulig.

Denne metoden brukes av noen av de helt største seilbåtprodusentene i verden, de viser til at den ikke gir utslag på fart under normal seilas.

Denne installasjonen kan også være gunstig for båter med flate bunner, for å unngå ekstremt lange tunneler og store ovale tunnelåpninger.

F Montage du tunnel sur les voiliers

La plupart des voiliers ont une coque étudiée pour la compétition, ce qui signifie une étrave plate et peu profonde. Il est par conséquent très difficile, pour ne pas dire impossible, de monter un tunnel de propulseur normalement, en tout cas d'essayer de monter le propulseur le plus à l'avant possible de la coque (voir schéma n°1). Cependant, il est possible de monter un tunnel de propulseur sur la plupart des voiliers, même lorsque la coque ne supporte pas directement le montage du tunnel.

Pour cela, il suffit de monter le tunnel pour partie à l'extérieur de la coque, puis de le renforcer et de limiter la traînée en confectionnant un bulbe autour du tunnel.

Cela permet de bien positionner l'installation à bord, en maintenant la fiabilité et le gain de place du tunnel du propulseur.

Cette installation a été adoptée par quelques grands constructeurs de gros voiliers et a permis de démontrer qu'elle génère très peu de perte de vitesse en navigation normale.

Ce système peut également s'avérer une bonne méthode d'installation pour des barges d'étrave plate afin d'éviter des longueurs de tunnel extrêmement importantes et d'énormes ouvertures ovales dans la coque.

I Installazione del tunnel in imbarcazioni a vela

Molte imbarcazioni a vela hanno uno scafo da regata, molto piatto nella parte inferiore, e una sezione di prua con pescaggio molto ridotto. Pertanto è molto difficile, per non dire impossibile, montare un propulsore a tunnel nel modo consueto, o quanto meno installarlo a prora quanto lo si desidererebbe (Fig. 1).

Tuttavia è possibile installare ugualmente un propulsore a tunnel nella maggior parte delle imbarcazioni a vela, anche quando lo scafo in sé non si presterebbe all'installazione di una tunnel.

Ciò viene effettuato montando il tunnel per metà all'interno e per metà sotto lo scafo esistente e successivamente rinforzandolo; inoltre si rende uniforme il flusso d'acqua stampando un bulbo attorno al tunnel.

Ciò consentirà di effettuare un'installazione in una buona posizione, conservando l'affidabilità e i vantaggi in termini di spazio offerti da un propulsore a tunnel.

Tale tipo di installazione viene adottato da alcuni dei maggiori cantieri navali dove si costruiscono imbarcazioni a vela, e si è visto che provoca poca o nessuna perdita di velocità nella navigazione normale.

Esso può essere un buon metodo di installazione anche per lance dal fondo piatto, evitando tunnel estremamente lunghi ed enormi aperture ovali del tunnel nello scafo.

F Tunnelin asennus purjeveneissä

Monessa purjeveneissä on kilpaveneille tyypillinen runko, mikä tarkoittaa, että se on erittäin lattea ja matalapohjainen keulasta. Siksi on erittäin vaikeata, jollei mahdotonta asentaa keulapotkuri normaaliin tapaan, ainakin niin paljon eteen kuin keulapotkurin pitäisi olla (Kuva 1).

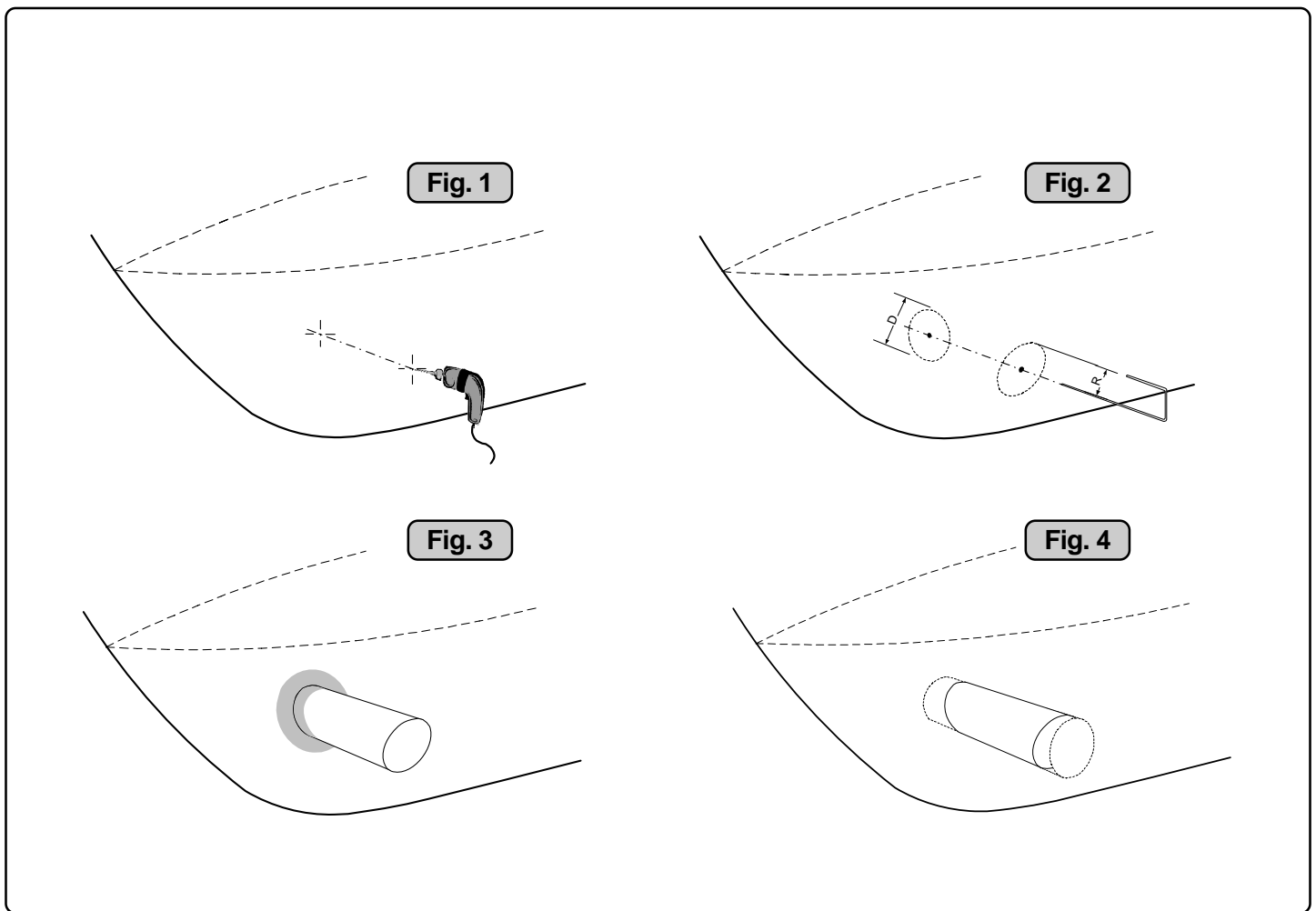
On kuitenkin mahdollista asentaa keulapotkuri melkein kaikkiin purjeveneisiin, jopa silloin kuin veneen runko ei suoraan salli tunnelin asentamista.

Tämä onnistuu asentamalla tunneli puoliksi rungon sisäpuolelle, jättäen puolet tunnelista rungon alapuolelle. Rungon ulkopuolista osaa vahvistetaan ja tasataan paremman vedenvirtauksen saamiseksi laminoimalla rungon ja tunnelin liitos kuten kuvassa näytetty.

Tämä mahdollistaa keulapotkurin asennuksen tarpeeksi eteen, säilyttäen kuitenkin tunnelikeulapotkurin luotettavuuden ja tlaedut.

Tätä asennus menetelmää käyttää osa maailman suurimmista purjevenetekijöistä, sillä menetelmän vaikutus nopeuteen on todettu minimaaliseksi tai olemattomaksi.

Tämä voi myös olla sopiva ratkaisu litteäpohjaisiin proomuihin, jotta vältetään erittäin pitkät tunnelit ja suuret soikeat tunnelin reiät veneen rungossa.



GB Tunnel installation

We recommend that a professional does the fibreglass fitting of the tunnel. These instructions are only general, and do not explain in any way the details of fibreglass work. Problems caused by faulty installation of the tunnel, are the installers full responsibility.

Find the position in the boat considering the information given earlier in this manual and the applicable measurements for the thruster model you are installing.

Mark the centre of the tunnel on both sides. Drill a 6mm hole horizontally in these marks (Fig. 1).

Bend a \varnothing 5mm steel bar as shown with the "tip" bent back at the tunnel radius and mark the circle for the tunnel opening (outside diameter of the tunnel). Cut the hole with a jigsaw (Fig. 2).

Grind off the gelcoat and polyester so that you are down in the "real fibreglass" in an area of 12cm around the hole both inside and outside in the hull to cast the tunnel to the hull (Fig. 3).

Insert the tunnel and mark its shape to fit the hull (Fig. 4). (if you are installing with a deflector/spoiler, leave a part of the tunnel of the front- and underside of the tunnel to have a base for this (see page 20, Fig. 2). Cut the tunnel ends to the desired shape and lightly sand its surface and clean with acetone or similar where you are going to apply fibreglass.

NB! Do not cast/glass on the area where the thruster will be placed.

Then cast the tunnel to the inside of the hull, use at least 8 layers of 300 g glass and resin, preferably alternating mat and roving types of fibreglass (see page 20, Fig. 1). If you are rounding the tunnel ends to the perfect 10% radius you may in some cases have to make further layers inside to preserve the desired hull thickness.

NB! Make sure that any gap between the tunnel and the hull are completely filled with resin/fibreglass. In areas where you can not access to make normal layers of resin/fibreglass, a resin/ fibreglass mixture must be filled in that area.

D Tunnelinstallation

Wir empfehlen, die Glasfearbeiten von einem Fachmann ausführen zu lassen. Dieses Handbuch beinhaltet nicht alle notwendigen Details für diese Arbeit. Der Installateur trägt die volle Verantwortung für eine sachgemäße Installation des Tunnels.

Zunächst ist die Position des Tunnels aufgrund der vorangegangenen Informationen und der Maße des einzubauenden Thrusters zu bestimmen.

Das Zentrum auf beiden Seiten des Tunnels anreißen. Dort jeweils ein horizontales Loch (\varnothing 6mm) bohren (Fig. 1).

Durch beide Löcher eine Stahlstange (\varnothing 5mm) führen und die Tunnelöffnung anzeichnen (Außendurchmesser des Tunnels). Diese Fläche mit einer Stichsäge ausschneiden (Fig. 2).

Den Rumpf auf der Innenseite 12cm um das Tunnelloch frei von Gelcoat und Polyester machen, bis Fiberglas sichtbar wird (Fig. 3).

Den Tunnel einsetzen und die Schnittlinie mit dem Rumpf anzeichnen (Fig. 4). Wird ein Abweiser / Spoiler benötigt, lassen Sie den Tunnel etwas aus dem Rumpf stehen (Vorder- und Unterseite des Tunnels), um einen Grundträger zu erhalten (siehe Seite 20, Fig. 2). Die Tunnelenden auf die gewünschte Form abschneiden und die Enden leicht anschleifen. Danach mit Aceton o.ä. dort reinigen, wo Fiberglas aufgetragen werden soll.

NB! Nicht im Bereich des Thrusters laminieren.

Den Tunnel im Rumpffinneren einlaminieren. Dazu mind. 8 Schichten zu je 300 g Glasfaser und Polyesterharz verwenden; vorzugsweise verschiedene Matten und Gewebearten (siehe Seite 20, Fig. 1). Sollen die Tunnelenden später den optimalen 10% Radius aufweisen, müssen gelegentlich zusätzliche Schichten aufgetragen werden um eine ausreichende Rumpfstärke zu erhalten.

NB! Jede Öffnung zwischen Tunnel und Rumpf muß vollständig mit Polyesterharz/Glasfaser ausgefüllt sein. An schlecht zugänglichen Stellen, wo normale Schichten nicht möglich sind, muß zumindest eine Polyesterharz / Glasfaser Mischung eingefüllt werden.

Sleipner Motor anbefaler at innstøping av glassfibertunnelen utføres av kyndig personell. Denne instruksjons manualen gir ikke detaljerte opplysninger om glassfiberstøping. Problemer som skyldes installering er installatørens fulle ansvar.

Bestem plassering av tunnelen ut i fra informasjonen gitt tidligere i manualen, og de angitte mål for thrusteren du skal installere.

Merk av senter på tunnelen på babord og styrbord side. Bor et 6 m.m. vannrett hull, på begge sider (Fig. 1).

Bøy til og tilpass en 5 m.m. stålstang, som vist på fig. 2 der den tilbakebøyde enden skal markere tunnelens radius. Stikk enden inn å marker tunnelens ytre diameter, skjær ut hullet med en stikksag (Fig. 2).

Puss av gelcoat og polyester så glassfiberen ligger bar i et 12 cm stort område rundt tunnel hullet. Dette må gjøres på innsiden og utsiden av skroget, før tunnelen støpes fast i skroget (Fig. 3).

Sett inn tunnelen å marker hvor det skal kappes for å passe i skroget (Fig. 4). Hvis det skal støpes en spoiler i forkant av tunnelen bør en del av tunnelen stikke ut i for og underkant av skroget for å støpe spoileren mot (Side 20, Fig. 2). Kapp tunnelen i ønsket størrelse. Slip lett med slipepapir, og vask med aceton der hvor det skal støpes med glassfiber.

NB ! Det må ikke støpes der hvor thrusteren skal monteres.

Støp fast tunnelen først på innsiden av skroget, bruk minst 8 lag med 300 g Glassfibermatte, og polyester. Ved bruk av alternative materialer, glassfiber matter eller rovingtyper (Se s. 20, Fig. 1). Hvis tunnelåpningene avrundes til den optimale 10% radius må ofte legge ekstra lag med polyester glassfibermatte på innersiden av tunnelen, for å oppnå riktig tykkelse i forhold til skrogtykkelsen.

NB ! Forsikre deg om at overgangene mellom tunel og skrog er nøye sammenstøpt. På steder en ikke kommer til med vanlige lag med polyester/glassfiber matte, sørg for og lage en blanding av polyester og glassfiber, som fylles i dette.

Nous préconisons qu'un professionnel effectue le montage du tunnel en fibre de verre. Les instructions qui suivent sont d'ordre général et non exhaustives en ce qui concerne la complexité à travailler la fibre de verre. Les problèmes causés par une mauvaise installation du tunnel sont sous l'entière responsabilité de l'installateur.

Le positionnement du tunnel sera déterminé en fonction des instructions précédemment mentionnées dans ce manuel et des dimensions correspondant au type de propulseur installé.

Marquer le centre du tunnel de chaque côté de la coque et percer un trou de 6 mm sur vos marques (voir schéma n° 1).

Plier une barre d'acier de 5 mm de diamètre comme indiqué schéma n° 2, avec l'extrémité repliée vers le tunnel et tracer des cercles représentant les ouvertures du tunnel (diamètre extérieur du tunnel). Effectuer les découpes avec une scie sauteuse.

Meuler le gelcoat et le polyester, sur un périmètre de 12 cm autour du trou, à l'intérieur et à l'extérieur de la coque, de façon à être réellement dans la fibre de verre pour mouler le tunnel à la coque (voir schéma n° 3).

Insérer le tunnel et tracer sa forme en fonction de la coque (voir schéma n° 4). Si l'installation est réalisée avec un déflecteur, laisser dépasser le tunnel de chaque côté de la coque afin de servir de base au déflecteur (voir page 20, schéma n° 2). Couper les extrémités du tunnel à la forme désirée, puis découper légèrement sa surface et nettoyer avec de l'acétone ou un produit équivalent lorsque la fibre de verre sera sur le point d'être appliquée.

NB: ne pas appliquer la fibre de verre sur la surface où le propulseur sera fixé (pour l'étanchéité).

Mouler le tunnel à l'intérieur de la coque; pour cela, passer au moins 8 couches de fibre de verre et de résine (300 gr), de préférence en alternant la fibre de verre de type mat, puis de type rowing (voir page 20, schéma n° 1). Si les extrémités du tunnel sont arrondies à un rayon idéal de 10 %, il est possible qu'il soit nécessaire, dans certains cas, d'appliquer des couches supplémentaires à l'intérieur afin de préserver l'épaisseur de la coque.

NB: s'assurer que tout espace entre le tunnel et la coque soit parfaitement comblé avec de la résine/de la fibre de verre. Dans les zones où l'accès ne permet pas l'application normale des couches de résine/fibre de verre, appliquer un mélange résine/fibre de verre compact.

Si raccomanda di affidare a un professionista il lavoro di montaggio della fibra di vetro del tunnel. Queste istruzioni sono generiche, e non illustrano in alcun modo i dettagli delle operazioni con fibra di vetro. In caso di eventuali problemi provocati da un'installazione difettosa del tunnel, ne risponderà in pieno l'installatore.

Trovare la posizione opportuna dell'imbarcazione tenendo conto delle indicazioni fornite nella parte precedente di questo manuale e delle misure applicabili per il modello di propulsore che si sta installando. Contrassegnare il centro del tunnel su entrambi i lati. In corrispondenza di tali contrassegni praticare un foro orizzontale da 6 mm (Fig. 1).

Piegare una barra di acciaio \varnothing 5 mm come mostrato in figura, con la "punta" ripiegata in corrispondenza del raggio di curvatura del tunnel, e contrassegnare la circonferenza per l'apertura del tunnel (diametro esterno del tunnel). Incidere il foro con una sega da traforo (Fig. 2).

Asportare con carta vetrata il gelcoat e il poliestere in modo da mettere a nudo la "fibra di vetro vera e propria" in un'area di 12 cm attorno al foro, sia all'interno che all'esterno dello scafo, per unire il tunnel allo scafo (Fig. 3).

Inserire il tunnel e contrassegnarne la sagoma per montarla sullo scafo (Fig. 4). (Se la si sta installando con un deflettore o un baffo, lasciare libera una parte del tunnel, o la parte frontale e inferiore del tunnel, per avere una base per il deflettore (v. Pag. 20, Fig. 2).

Tagliare le estremità del tunnel secondo la forma de-siderata e carteggiare delicatamente la superficie; pulire con acetone o solvente simile nel punto in cui si applicherà la fibra di vetro.

N.B.: non gettare fibra di vetro sull'area nella quale sarà posizionato il propulsore.

A questo punto saldare il tunnel all'interno dello scafo, utilizzando almeno 8 strati da 300 g di fibra di vetro e resina, preferibilmente alternando i tipi mat e "rowing" di fibra di vetro (v. pag. 20, Fig. 1). Se si stanno arrotondando le estremità del tunnel utilizzando il raggio di curvatura ideale del 10%; è possibile in taluni casi che occorre creare ulteriori strati all'interno per preservare lo spessore desiderato dello scafo.

N.B.: accertarsi che eventuali spazi vuoti tra il tunnel e lo scafo siano completamente riempiti con resina/fibra di vetro. Nelle zone in cui non è possibile accedere per applicare strati normali di resina/fibra di vetro, occorre iniettare una miscela resina/ fibra di vetro.

Suosittelenne, että ammattilainen tekee tunnelin lasikuitutyöt. Nämä ohjeet ovat vain yleisiä, eivätkä missään tapauksessa selitä lasikuitutyön yksityiskohtia. Ongelmat, jotka ovat aiheutneet väärin asennetusta tunnelista, ovat täysin asentajan vastuulla.

Etsi oikea sijoitus veneessä tässä kirjassa aikaisemmin annettujen tietojen perusteella ja käytä oikeita mittoja asennettavasta keulapotkurista riippuen.

Merkkaa tunnelin keskikohta molemmin puolin. Poraamalla näihin merkkeihin 6 mm reikä vaakasuoraan (Kuva 1).

Taivuta \varnothing 5mm teräs kuten kuvassa ja merkkää tunnelin halkaisija (tunnelin ulkohalkaisija). Leikkaa tunnelin reikä kuviosahalla (Kuva 2).

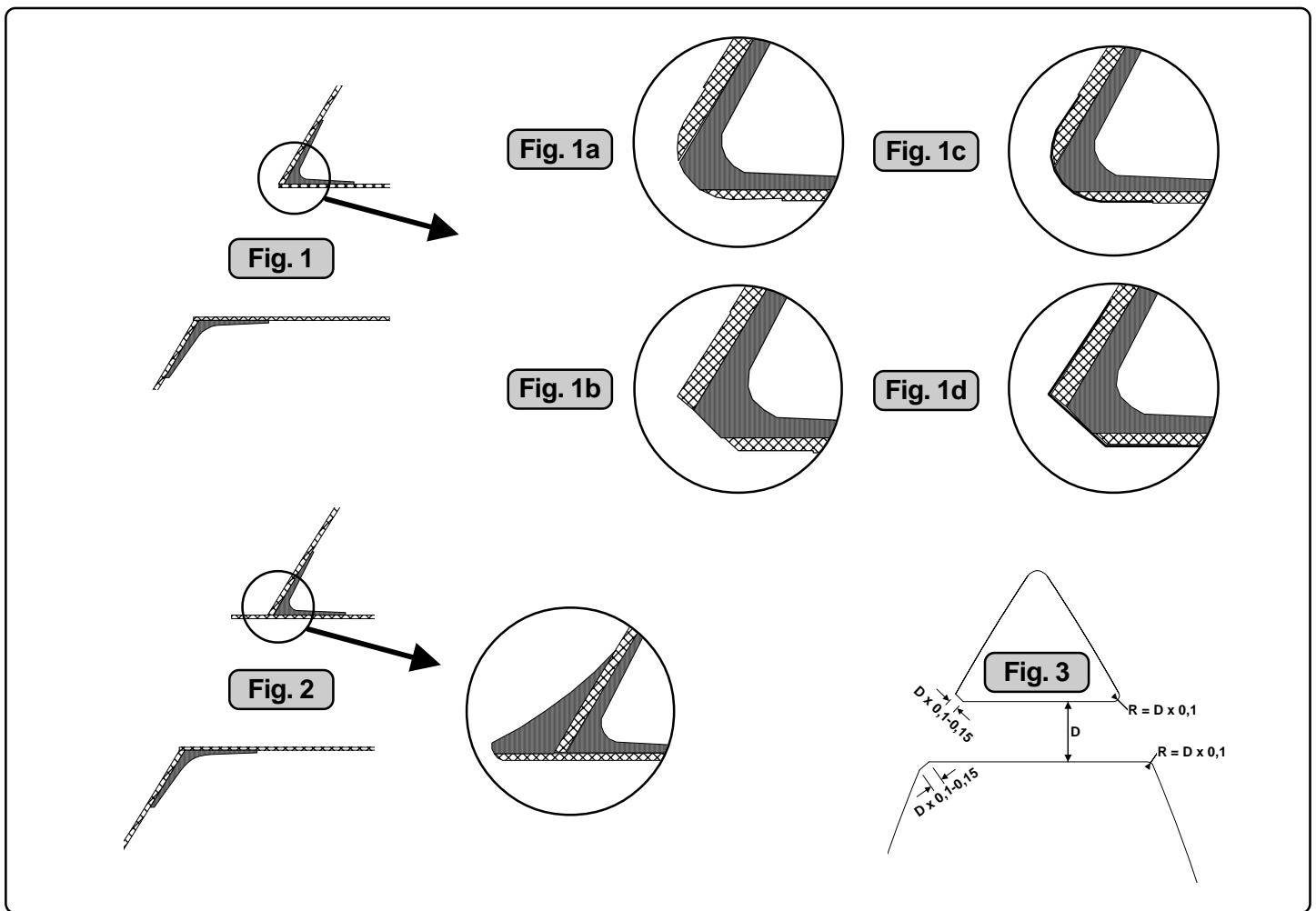
Poista gelcoat pinta ja polyesteri hiomalla niin, että olet "puhtaassa lasikuidussa", pinta-alalta, joka peittää 12 cm reiän ympäriltä sekä sisä- että ulkopuolelta kiinnittääksesi tunnelin runkoon (Kuva 3).

Asenna tunneli ja merkkää sen muoto sopivaksi runkoon nähden (Kuva 4). (jos olet asentamassa "spoilerilla", jätä tunnelia etu- ja alapuolelta hiukan rungon ulkopuolelle tämän tueksi) (katso sivu 20, kuva 2). Leikkaa tunnelin päät haluttuun muotoon, hio kevyesti ja puhdista asetonilla tai vastaavalla aineella ne pinnat, joihin aiota lisätä lasikuitua.

HUOM ! Älä lisää lasikuitua alueeseelle, johon itse keulapotkuri asennetaan.

Laminoi tunneli rungon sisäpuolelle, käytä ainakin 8 kerrosta 300 g lasikuitua ja hartsia, mieluummin vuorotellen mattoa ja lasikuitua (katso sivu 20, kuva 1). Jos aiot pyöristää tunnelin päät parhaaseen 10% säteeseen voit joissakin tapauksissa joutua lisäämään kerroksia sisäpuolelle säilyttääksesi halutun seinävahvuuden rungossa.

HUOM ! Varmista, että kaikki kolot tunnelin ja rungon välistä ovat täytetty lasikuidulla. Alueet, joihin ette ylety pistämään lasikuitukerroksia, täytyy täyttää hartsil/lasikuitu seoksella.



GB Tunnel installation

Soften the edges with a radius of 10% of the tunnel diameter (Fig. 1a) or make a slope with a length of 10-15% of the tunnel diameter (Fig. 1c). If this is not possible, at least round the tunnel end as much as possible.

We advice to also cast two layers on the outside of the tunnel/hull for an 6-8cm area (Fig. 1c & 1d).

You must apply topcoat/epoxy on the areas outside where you have grounded or moulded to again make these waterproof.

NB! All original Sidepower tunnels are fully waterproof when they are delivered.

This means that unless you want, because of special reasons, to have another colour on it, you do not have to apply topcoat or the several layers of primer that is necessary on the boats' hull to make it water-resistant.

Sand it very lightly and apply one layer of primer to make the antifouling sit.

The original Sidepower tube itself is fully water-resistant without treatment except in the areas where you have bonded it to the hull.

Apply topcoat/epoxy paint and primer on the areas where you have grounded or moulded as these areas give the water access to the hull which normally is not waterproof without these applications outside.

PS! Avoid all casting where the motor-bracket is to be placed, as this will cause misfit and possible failure of the gearhouse.

D Tunnelinstallation

Runden Sie die Kanten mit einem Radius (10% des Tunneldurchmessers) ab (Fig. 1a) oder machen Sie eine Schräge mit einer Länge von 10-15% des Tunneldurchmessers (Fig. 1c). Ist beides nicht möglich, sind die Tunnelenden soweit möglich abzurunden.

Auf der Außenseite zusätzlich zwei Schichten im Bereich Rumpf / Tunnel auf einer Fläche von 6-8cm auftragen (Fig. 1c & 1d).

Danach auf den äußeren, angeschliffenen oder laminierten Flächen Gelcoat/Topcoat/Epoxy zur wasserdichten Versiegelung aufbringen.

NB ! Original Sidepower tunnel sind in ausgeliefertem Zustand absolut wasserdicht.

Wird nicht eine spezielle Farbe gewünscht, so sind keinerlei Gelcoat, Topcoat oder Primer nötig, die ansonsten zur Wasserdichtigkeit benötigt werden.

Empfehlenswert ist ein leichtes anschleifen und aufbringen einer Primerschicht zur besseren Haftung des Antifouling.

Original Sidepowertunnel sind auch ohne Behandlung absolut wasserdicht.

Auf laminierten oder angeschliffenen Flächen ist Gelcoat / Topcoat / Epoxy und Primer aufzubringen, da diese Bereiche ohne entsprechende Behandlung nicht wasserdicht sind.

PS ! Im Bereich der Motorhalterung darf nicht laminiert werden, da dies zu Ungenauigkeiten bei der Montage und damit einem möglichen Getriebschaden führen kann.

Rund av tunnelendene med en radius 10% av tunneldiameter (Fig. 1a), eller lag en skråkant 10-15% av tunneldiameter (Fig. 1c). Der dette ikke er mulig skal tunnel kantene rundes av mest mulig.

Vi anbefaler å støpe to lag utenpå tunnellavrundingen og over et område på 6-8cm (Fig. 1c & 1d).

Gelcoat eller lignende må påføres på områdene der det har blitt pusset eller støpt for å gjøre glassfiberen vanntett.

NB ! Alle originale Sidepower tunneler er vanntette ved levering!

Så fremt man ikke ønsker en annen farge er det ikke nødvendig å påføre Gelcoat, Topcoat og flere lag med primer for å gjøre tunnelen vanntett.

Puss tunnelen med fint slipepapir og påfør et lag primer for å få bunnstoff til å sitte.

Sidepowertunnelen er helt vanntett uten behandling med unntak av de områder det som er støpt fast i skroget.

Påfør Gelcoat/Topcoat/epoxy og primer på de områder som er pusset ned eller støpt. Vann skal ikke ha direkte kontakt med glassfiberen i skroget fordi dette normalt ikke er vanntett.

PS ! Det må ikke støpes der brakketen til thrusteren skal stå. Passformen er nøyaktig tilpasset, og en feilplassert brakket kan forårsake svikt i girhus.

Réduire les angles à un rayon égal à 10 % du diamètre du tunnel (voir schéma n° 1a) ou faire un chanfrein dont la longueur représente 10 à 15 % du diamètre du tunnel (voir schéma n° 1c).

Si ces deux méthodes ne sont pas réalisables, arrondir dans la mesure du possible l'extrémité du tunnel.

Nous recommandons également d'appliquer deux couches à l'extérieur du tunnel / coque sur un périmètre de 6-8 cm (voir schémas n° 1c et 1d).

Il est nécessaire d'appliquer du gelcoat/topcoat/epoxy sur les zones extérieures ayant été meulées ou moulées de façon à refaire une étanchéité.

NB: tous les tunnels Sidepower d'origine sont parfaitement étanches lorsqu'ils sont livrés.

Donc à moins que vous ne souhaitiez modifier la couleur, il n'est pas nécessaire de les enduire de gelcoat / topcoat ou de plusieurs couches de primer pour maintenir l'étanchéité de la coque.

Poncer très légèrement le tunnel et passer une couche de primer pour que le gelcoat accroche bien.

Le tunnel Sidepower d'origine est de lui-même totalement résistant à l'eau sans traitement particulier excepté dans des zones où il a été scellé à la coque.

Appliquer une peinture gelcoat/topcoat/epoxy et du primer dans les zones ayant été meulées ou moulées de façon à rendre la coque totalement étanche.

PS: éviter tout meulage à l'endroit où le support moteur devra être placé, cela pourrait engendrer un montage défectueux et une éventuelle défaillance de l'embase.

Smussare i bordi con un raggio di curvatura pari al 10% del diametro del tunnel (Fig. 1a), o creare una pendenza con una lunghezza pari al 10-15% del diametro del tunnel (Fig. 1c). Se ciò non è possibile, arrotondare il più possibile l'estremità del tunnel.

Si raccomanda inoltre di gettare due strati sull'esterno del tunnel / dello scafo per un'area di 6-8 cm (Fig. 1c e 1d).

Occorre applicare gelcoat/topcoat/epoxy sulle zone esterne in cui si è carteggiato o si è stampato, per renderle di nuovo impermeabili.

N.B.: tutti i tunnel Sidepower originali sono assolutamente impermeabili quando vengono consegnati.

Ciò significa che, a meno che non si desideri, per motivi speciali, avere il tunnel in un altro colore, non è necessario applicare gelcoat/topcoat o i vari strati di primer che di norma si applicano sullo scafo delle imbarcazioni per impermeabilizzarlo.

Carteggiare molto delicatamente e applicare uno strato di primer per far aderire l'antivegetativa.

Il tubo Sidepower originale in quanto tale è del tutto impermeabile all'acqua senza essere trattato, salvo nelle zone nelle quali è stato saldato allo scafo.

Applicare gelcoat/topcoat/epoxy e primer sulle zone in cui si è carteggiato o si è stampato, in quanto da queste zone l'acqua può penetrare nello scafo, che di norma non è impermeabile senza questi trattamenti sulla superficie esterna.

N.B.: evitare di gettare nella zona in cui si posizionerà la staffa del motore, perché ciò causerà un disallineamento ed eventualmente procurerà un guasto al piede.

Pyöristä reunat säteellä joka on 10% tunnelin halkaisijasta (Kuva 1a) tai kaltevuudelle joka on 10-15% tunnelin halkaisijasta (Kuva 1c). Jos tämä ei ole mahdollista, pyöristä ainakin reunat niin paljon kuin mahdollista.

Suosittellemme myös laitettavaksi kaksi kerrosta tunnelin/rungon ulkopuolelle, 6-8cm alueelle (Kuvat 1c & 1d).

Pinnat, jotka olet käsitellyt täytyy uudestaan pinnoittaa gelcoatilla tai epoksilla, jotta ne saadaan uudestaan vesitiiviiksi.

HUOM ! Kaikki alkuperäiset Sidepower-tunnelit ovat täysin vesitiiviitä.

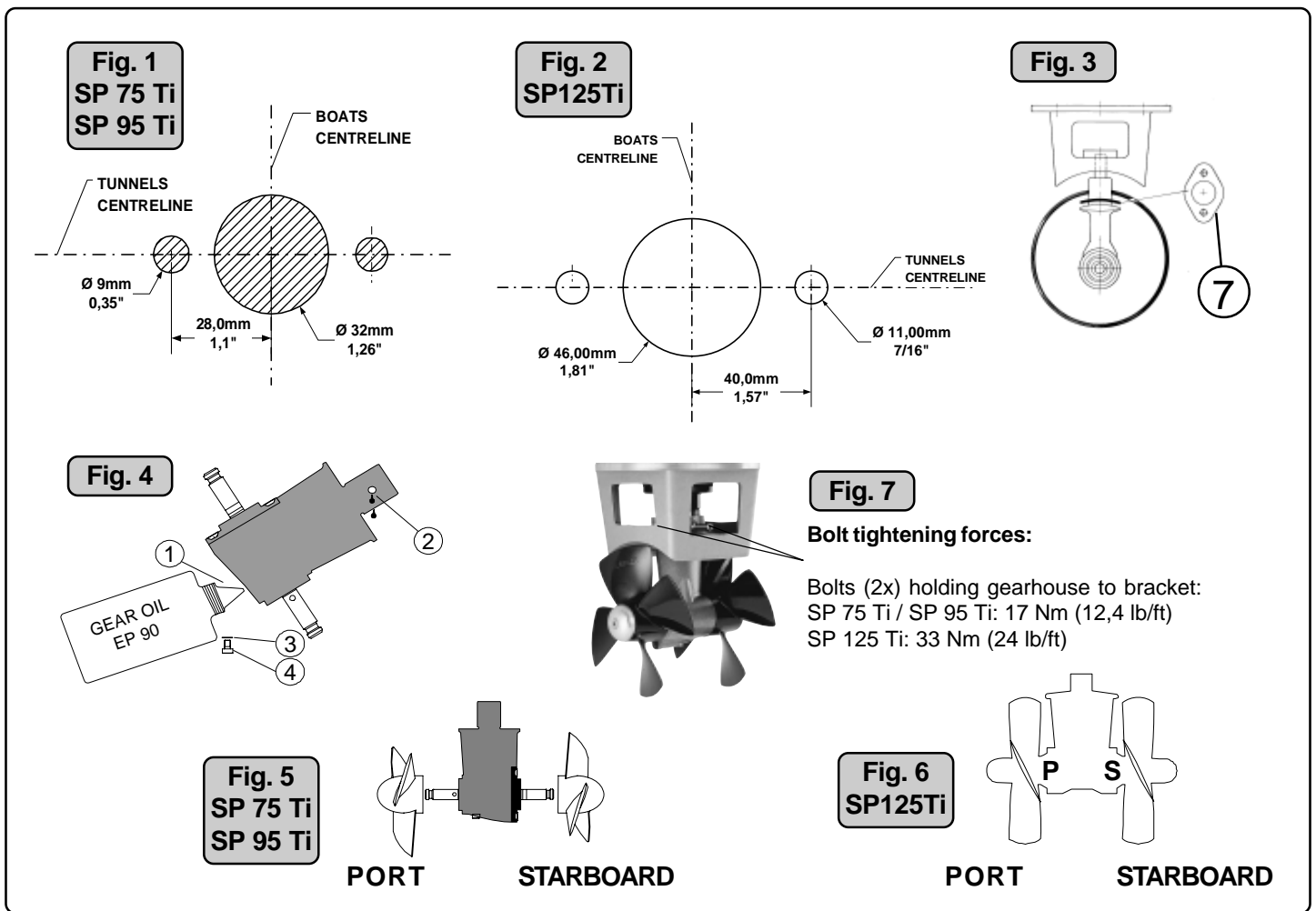
Tämä tarkoittaa, että ellet itse jostain erityisistä syistä halua tunnelia jonkun muun väriksi, sinun ei tarvitse laittaa gelcoat/topcoatia pintaan tai useita pohjamaalikerroksia saadaksesi sen vesitiiviiksi.

Saadaksesi antifouling-maalin pysymään, hio tunnelia kevyesti ja laita yksi kerros pohjamaalia.

Alkuperäinen Sidepower-tunneli on itsessään täysin vesitiivis ilman käsittelyä, paitsi paikoista, joista olet liittännyt sen runkoon.

Laita gelcoat/topcoat/epoksi -pohjamaalia ja pintamaalia näihin alueisiin, joista olet kiinnittänyt tunnelin runkoon, sillä nämä alueet päästävät veden runkoon, mikä ei normaalisti ole vesitiivis ilman näitä suojauksia.

PS ! Vältä kaikkea lasikuitutyötä kohdassa, mihin moottorilaitte asennetaan, sillä se voi aiheuttaa epäsovivuutta ja mahdollisesti vaihteiston vioittumisen.



GB Fitting gearhouse and motor bracket

1. Mark the centreline of the tunnel and the boats centreline. SP75Ti /SP95Ti: The gearhouse must be fitted with the gearhouse lid (the screwed in lid behind one of the propellers) on the starboard side of the boat for the thrust direction to correspond with the control panel (Fig. 5). SP 125 Ti: Fig. 6
2. Use the gearhouse gasket (7) to mark the centre of the holes and double check the measurements. Place the thruster in the boats centreline with the bolt hole as the centre (Fig. 1). It is absolutely necessary that all holes are in-line with the tunnels' centreline to ensure precise installation, as the clearance between the propellers and the tunnel is minimal to ensure best possible performance.
3. There must be no casting where the motor bracket is to be placed, as this will cause possible failure of the gearhouse. The motor bracket must fit steady on the tunnel, if the tunnel is not smooth, all bumps or uneven parts must be grinded smooth.
4. Drill the centre-hole \varnothing 32mm and then the two screw-holes \varnothing 9mm.
5. Pre-fill the gearhouse with gear oil type EP90 through the oil drain screw (4). Make sure to get the copper gasket (3) on again.
6. Try the lower-unit in the tunnel (without the zinc anodes and the lower part of the flexible coupling) by using the gasket inside the tunnel. Try on the propellers to make sure they are in the middle of the tunnel and turn freely with the same clearing from each blade to the tunnel. Use sealant e.g. Sikaflex to ensure that no leakages occur.
PS! Make sure that no sealant gets in to the oil-holes (2).
7. Make sure that there is some oil or grease on the O-rings in the motor bracket before mounting it together with the gearhouse.
8. Push the gearhouse through the main hole in the tunnel and push the gearhouse and motor-bracket gently together.
9. Screw the lower unit and the motor-bracket together with the two provided bolts (Fig. 7).

D Getriebe und Motorhalterung

1. Die Mittellinie von Tunnel und Boot markieren.
SP 75 Ti / SP 95 Ti: Damit Schubrichtung und Kontrollpanel übereinstimmen, das Getriebegehäuse so einbauen, daß der Verschluss des Getriebegehäuses (der verschraubte Verschluss hinter einem der beiden Propeller) Richtung Steuerbord zeigt (Fig. 5).
SP 125 Ti: Fig. 6
2. Die Löcher mit der Dichtung (7) markieren. Maße überprüfen! Den Thruster schiffsmittig plazieren (Fig. 1). Da der Abstand zwischen Propellern und Tunnel wegen größtmöglicher Performance minimal konstruiert ist, müssen für eine präzise Installation alle Löcher auf der Tunnelmittellinie liegen.
3. Im Bereich der Motorhalterung darf kein Laminat auf dem Tunnel sein, da dies zu einem Getriebebeschaden führen kann. Liegt die Motorhalterung nicht eben auf dem Tunnel auf, so sind sämtliche Unebenheiten in diesem Bereich abzuschleifen.
4. Bohren Sie das Zentrumsloch (\varnothing 32 mm) und dann die beiden Schraubenlöcher (\varnothing 9 mm).
5. Das Getriebegehäuse mit Getriebeöl EP90 durch die Öffnung der Ölablaßschraube (4) befüllen. Kupferdichtung (3) einsetzen.
6. Das Getriebegehäuse (ohne Zinkanoden und unteren Teil der elastischen Kupplung) unter Verwendung der Dichtung in den Tunnel einpassen. Den Propeller auf die Achse stecken; dieser muß sich frei bewegen lassen und jedes Propellerblatt muß den gleichen Abstand zum Tunnel aufweisen. Ist die Tunnelinnenseite ungleichmäßig, etwas Sikaflex o.ä. auftragen, damit keine undichte Stelle auftritt.
PS ! Die Durchgänge für das Öl (2) von Dichtmasse freihalten.
7. Etwas Öl oder Fett auf die O-ringe der Motorhalterung geben, da diese sonst beim Montieren beschädigt werden können.
8. Das Getriebegehäuse durch das Hauptloch im Tunnel führen und vorsichtig mit der Motorhalterung zusammenschieben.
9. Das Getriebegehäuse und die Motorhalterung mit Hilfe der beiden Bolzen verschrauben (Fig. 7).

N Montering av girhus og brakett

1. Marker båten og tunnelens senterlinje på tunnelen.
*SP 75 Ti / SP 95 Ti: Thrusteren må plasseres med girhuslokket på styrbord side for at skyveretning og styreretning skal korrespondere (Fig. 5).
SP 125 Ti: Fig. 6*
2. Bruk girhuspakningen for å sjekke målene (7). Thrusteren skal plasseres på styrbord side av senterlinjen med boltehullet i midten av båten (Fig. 1). Alle hull må være på båten eller tunnelens senterlinje for å få til en presis installasjon. Dette skyldes at det er meget liten klaring mellom tunnelveggen og propellen.
3. Tunnelen må ha en jevn overflate der braketen skal festes, all støp, evt glassfiber eller epoxy rester må pusses ned så braketen passer jevnt på tunnelen. Ujevnheter her vil resultere i svikt i girhuset.
4. Bor senterhullet Ø 32 mm, og de to boltehullene Ø 9 mm
5. Fyll girolje (EP90) på girhuset, gjennom tappeskruen (4). Pass på at kobbertetningen (3) kommer på plass igjen.
6. Prøv girhuset i tunnelen sammen med pakning 1m.m. Monter propell å sjekk at den er i midten av tunnelen. Hvis propellen ikke er i midten av tunnelen, forsøk å bruk den andre pakningen, eller begge to samtidig. Hvis tunnelen ikke har en jevn overflate så kan Sikafleks, eller lignende tetningsmateriale brukes for å sikre mot lekkasje. Pass på at det ikke kommer tetningsmasse i oljehullene (2).
7. Pass på at det er olje eller fett på O-ringene i motorbraketten før girhus monteres. O-ringene kan ta skade av monteringen hvis de ikke er smurt.
8. Før girhuset gjennom hovedhullet i tunnelen og monter braketten og girhuset forsiktig sammen.
9. Skru sammen motorbraketten og girhuset med originalbolter (Fig. 7).

F Montage de l'embase et du support moteur

1. Déterminer l'axe central du tunnel et celui du bateau.
SP 75 Ti / SP 95 Ti: l'embase doit être montée avec la face flasquée à tribord de façon à ce que la direction de la poussée corresponde avec le panneau de commande (les vis se trouvent derrière l'une des hélices) (Fig. 5). SP 125 Ti: Fig. 6
 2. Utiliser le joint (7) pour marquer le centre des orifices et vérifier par deux fois les dimensions. Étant donné que le jeu entre l'hélice et le tunnel est réduit au minimum, tous les trous doivent être parfaitement alignés avec l'axe central du tunnel pour assurer un montage précis (Fig. 1).
 3. Ne pas meuler là où le support moteur doit être installé car cela entraînerait une éventuelle défaillance de l'embase. Le support moteur doit être solidement fixé au tunnel; si ce dernier n'est pas lisse, toute protubérance ou toute irrégularité devra être meulée pour assurer une bonne assise.
 4. Faire le trou central de 32 mm de diamètre puis les deux trous pour les vis de 9 mm de diamètre.
 5. Pré-remplir l'embase avec de l'huile type EP90 par la vis de purge (4). Ne pas oublier de remettre le joint cuivre sur la vis de purge (3).
 6. Présenter l'embase dans le tunnel (sans l'anode zinc et sans la partie inférieure de l'accouplement flexible) en plaçant le joint d'étanchéité à l'intérieur du tunnel. Placer provisoirement l'hélice pour s'assurer qu'elle est bien centrée.. Si le tunnel n'est pas lisse, appliquer du Sikaflex ou autre produit d'étanchéité pour éviter toute fuite.
- NB: s'assurer qu'il n'y a pas de produit d'étanchéité dans les orifices d'arrivée d'huile (2).
7. S'assurer qu'il y a bien de la graisse ou de l'huile sur les joints toriques du support moteur avant de monter l'embase car l'absence de graissage peut provoquer une détérioration des joints toriques.
 8. Insérer l'embase dans l'orifice principal par le tunnel et assembler l'embase au support moteur avec précaution. Visser ensemble l'embase et le support moteur à l'aide des deux boulons fournis (voir schéma n° 7).

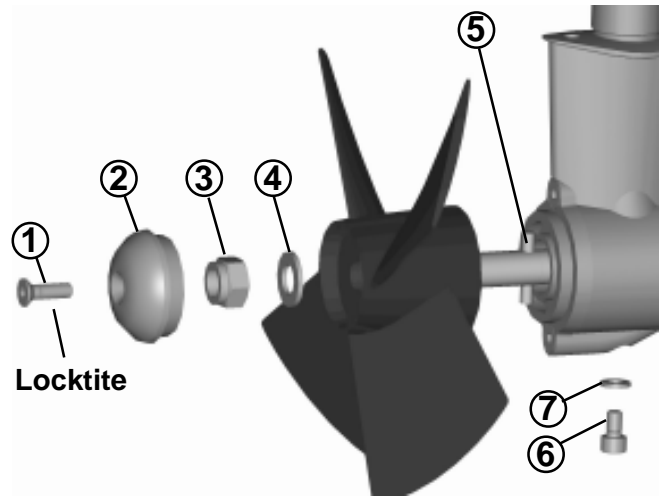
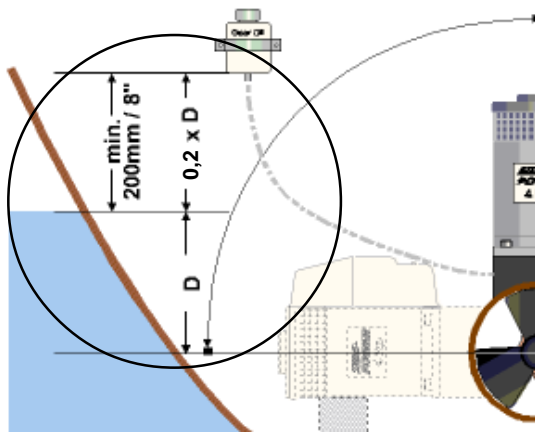
I Motaggio piede e staffa del motore

1. Contrassegnare la mezzeria del tunnel e la mezzeria dell'imbarcazione. *SP 75 Ti / SP 95 Ti (Fig. 5): Il piede dev'essere montato con il coperchio del piede (il coperchio filettato dietro una delle eliche) sul lato di destra dell'imbarcazione, in modo che la direzione di spinta corrisponda a quella indicata sul quadro di comando.
SP 125 Ti: Fig. 6*
2. Utilizzare la guarnizione del piede (7) per contrassegnare il centro dei fori, e ricontrollare le misure. Posizionare il propulsore sulla mezzeria dell'imbarcazione centrandolo rispetto al foro del bullone (Fig. 1). È indispensabile che tutti i fori siano allineati con la mezzeria del tunnel per far sì che l'installazione sia precisa, in quanto la tolleranza sulla distanza tra le eliche del tunnel è minima ed è critica ai fini dell'ottenimento delle prestazioni ottimali.
3. Non bisogna gettare nella zona in cui si posizionerà la staffa del motore, in quanto ciò potrebbe provocare il guasto del piede. La staffa del motore dev'essere montata saldamente sul tunnel; se il tunnel non è liscio, occorre asportare con carta vetrata tutte le pro-tuberanze o le parti disuniformi, fino a renderla perfettamente liscia.
4. Praticare il foro centrale, Ø 32 mm, e successivamente i due fori per le viti, Ø 9 mm.
5. Riempire il piede con olio per ingranaggi tipo Motorex EP 90 attraverso il tappo filettato di scarico dell'olio (4). Rammentarsi di rimontare la guarnizione di rame (3).
6. Provare a far funzionare il gruppo inferiore nel tunnel (senza gli anodi di zinco e la parte inferiore del giunto flessibile) utilizzando la guarnizione all'interno del tunnel. Provare a far girare le eliche accertandosi che siano centrate rispetto al tunnel e girino libera-mente, con le pale tutte alla stessa distanza dal tunnel. Se il tunnel non è liscio, utilizzare del Sikaflex o altro sigillante per far sì che non vi siano perdite. N.B.: accertarsi che il sigillante non penetri nei fori dell'olio (2).
7. Accertarsi che non vi sia dell'olio o del grasso sugli O-ring nella staffa del motore prima di montarla assieme al piede.
8. Spingere il piede, attraverso il foro principale, nel tunnel, e spingere il piede e la staffa del motore delicatamente l'una verso l'altra.
9. Avvitare il gruppo inferiore alla staffa del motore con i due bulloni in dotazione (Fig. 7).

F1 Vaiheteiston ja moottorilaipan asennus

1. Merkkaa tunnelin ja veneen keskilinjat. Vaiheteisto on asennettava niin, että vaihteiston kansi (ruuvattu kansi toisen potkurin takana) osoittaa styyrpuuriin, jotta sen työntövoima vastaa käyttöpaneelin suuntaa.
SP 75 Ti / SP 95 Ti: Fig. 5 SP 125 Ti: Fig. 6
2. Käytä vaihteiston tiivistettä (7) merkatakseksi reikien keskipisteet ja tarkista mitat uudelleen. Sijoita keulapotkuri veneen keskilinjaan (kuva 1). On erittäin tärkeätä, että kaikki reiät ovat tunnelin keskilinjassa, koska tunnelin ja potkurien väli on minimaalinen parhaan mahdollisen suorituskyvyn saavuttamiseksi.
3. Pisteessä, johon moottorilaippa asennetaan ei saa olla yhtään laminaattia, koska tämä voi aiheuttaa vahinkoa vaihteistolle. Moottorilaipan täytyy sopia tukevasti tunnelin päälle. Ellei tunneli ole tasainen, on kaikki epätasaisuudet hiottava pois.
4. Pora keskimmäinen reikä Ø 32 mm ja sitten molemmat ruuvireiät Ø 9 mm.
5. Täytä vaihteisto EP90 vaihteistoöljyllä öljytulpasta(4). Varmista, että kuparitiivistä (3) on öljytulpassa ennen takaisin laittamista.
6. Kokeile vaihteistoa tunneliin (ilman sinkkejä ja joustokytkimen alempaa osaa), aseta myös vaihteiston ja tunnelin välinen tiiviste paikoilleen. Aseta potkurit paikalleen ja varmista, että ne ovat tunnelin keskellä ja pyörivät vapaasti pitäen saman välin tunneliin jokaisesta lavasta. Jos tunnelin sisäpinta ei ole tasainen, käytä esim. Sikaflexiä varmistaaksesi ettei vuotoja ilmenee.
PS ! Varmista, ettei tiivistemassaa tule öljykanaviin (2).
7. Tarkista, että moottorilaipan o-renkaissa on rasvaa tai öljyä ennen asentamista yhteen vaihteiston kanssa.
8. Työnnä vaihteisto tunnelin läpi ja varovasti aseta moottorilaippa ja vaihteisto yhteen.
9. Ruuvaa vaihteisto ja moottorilaippa yhteen kahdella mukana tulevalla ruuvilla (Fig. 7).

Fig. 1



EB Fitting oil tank & propeller(s)

1. Fit the oil tank above the waterline by at least 20% of the distance from the waterline to the centre of the tunnel. This is for ensuring enough overpressure of oil in the gearhouse.
2. Fit the oil tube to the tank and fit the feed pipe to the motor bracket. Tighten the three tube clamp screws. Make sure that the oil-tube has no loops that makes an airlock to stop the oil flow and has a good angle to allow the oil to flow freely into the gearhouse.
3. Fill the oil tank with gear oil type EP90.
4. If you did not pre-fill the gearhouse, open the oil drain screw (6) until oil comes through, then tighten it securely and make sure that the copper gasket (7) is present. We recommend you to always pre-fill the gear house, see point 5 on page 22.
5. Push the propeller onto the shaft, carefully rotate the propeller until the drive pin aligns and moves into the slot/groove in the propeller hub. There should be almost no gap (approximately 1mm) between the propeller hub and the gear house.
6. Place the washer (4) on the propeller shaft and then tighten the lock-nut (3) on the propeller shaft.
7. Place the zincanode (2) in its designated position and tighten the zincanodes holding screw (1). Apply a thread glue (Locktite or similar) to ensure that the zincanodes holding screw does not unscrew itself from the propellers rotation.

Parts description:

- | | |
|------------------------|---|
| 1: Screw for zincanode | 5: Drive pin for propeller |
| 2: Zincanode | 6: Oil drain screw |
| 3: Propeller lock nut | 7: Copper washer/seal for oil drain screw |
| 4: Washer | |

D Ölvorratsbehälter & Propeller

1. Um genügend Öldruck im Getriebegehäuse zu gewährleisten, muß der Vorratsbehälter für das Getriebeöl oberhalb der Wasserlinie montiert sein. Der Abstand muß hierbei mind. 20% der Distanz von Wasserlinie zum Zentrum des Tunnels sein.
2. Den Schlauch für das Öl am Vorratsbehälter und am vorgesehenen Nippel der Motorhalterung befestigen. Die beiden Schlauchklemmen anziehen. Sicherstellen, daß das Öl ungehindert und direkt in das Getriebegehäuse fließen kann.
3. Den Vorratsbehälter mit Getriebeöl EP90 füllen.
4. Wenn das Getriebegehäuse nicht schon vorher befüllt wurde, die Ölablaßschraube (6) öffnen, bis Öl austritt, dann sicher festziehen. Immer die Kupferdichtung (7) verwenden.
5. Die Propellerachse so drehen, daß der Mitnahmestift (5) in horizontaler, zentrierter Position steht.
6. Den Propeller auf die Achse stecken und bis zum Anschlag schieben. Die Aussparung für den Mitnahmestift muß ebenfalls in horizontaler Position stehen. Zwischen Propellernabe und Getriebegehäuse darf kein Abstand sein.
7. Befestigungsschraube (3) inkl. Scheibe (4) bis zum Anschlag anziehen.
8. Die Zinkanode (2) mit der Befestigungsschraube (1) anbringen. Locktite o.ä. verwenden, damit sich die Schraube durch die Rotation des Propellers nicht löst.

Teile:

- | | |
|----------------------------|------------------------------|
| 1 : Schraube für Zinkanode | 5 : Mitnahmestift |
| 2 : Zinkanode | 6 : Ölablaßschraube |
| 3 : Propeller Mutter | 7 : Kupferscheibe / Dichtung |
| 4 : Scheibe | |

N Montering av oljetank og propeller

1. Monter oljetanken over vannlinja. Høyden over vannlinja må være minst 20% av lengden fra vannlinja og til senter av tunnelen. Dette vil sikre overtrykk i girhuset.
2. Fest slangen til oljetanken og strekk den ned til braketten. Pass på at slangen ikke er i klem, og at det ikke dannes luftlåser inne i slangen p.g.a. løkker. Fest slangen med slangeklemmer.
3. Fyll oljetanken med girolje type EP90.
4. Hvis du ikke forhåndsfylte girhuset må du nå løsne tappe-skruen (6) helt til olje kommer renende ut. Da e girhuset fylt med olje. Stram skruen igjen, og pass på at kobbertetningen (7) er på plass.
5. Vri propellakselen så drivpinnen (5) står loddrett. Pinnen må stå midt i propellakselen.
6. Vri propellen så sporet for driv pinnen er loddrett, eller i lik vinkel som du har stilt drivpinnen. Skyv propellen inn på propellakselen. Det skal nesten ikke være klaring mellom propellen og girhuset.
7. Sett på skiven (4) på propellakselen, deretter strammes låsemutteren (3).
8. Plasser sinkanoden (2) i sporet sitt. Fest den med skruen til sinkanoden (1). Bruk locktight eller lignende for at skruen ikke skal skrus ut av propellrotasjonen.

Delebeskrivelse:

- | | |
|---------------------------|--------------------------|
| 1: Skruer til sinkanode | 5: Drivpinne for propell |
| 2: Sinkanode | 6: Tappeskruer |
| 3: Låsemutter til propell | 7: Kobbertetning |
| 4: Skive til propell | |

F Montage du réservoir à huile et des hélices

1. Monter le réservoir à huile au-dessus de la ligne de flottaison à une distance au minimum égale à 20 % de la distance séparant le centre du tunnel de la ligne de flottaison. Ceci dans le but d'assurer suffisamment de surpression d'huile dans l'embase.
2. Raccorder le tuyau à huile au réservoir et le tuyau d'alimentation dans le support moteur. Serrer les vis et les brides de fixation des deux tubes. Veiller à ce que la pente du tube soit constante afin de ne pas créer une poche d'air qui stopperait le débit d'huile et suffisamment raide pour une bonne circulation à l'intérieur de l'embase.
3. Remplir le réservoir à huile avec de l'huile type EP90.
4. Si l'embase n'a pas été pré-remplie, ouvrir la vis de purge (6) jusqu'à ce que l'huile s'écoule puis bien la serrer et vérifier que le joint de cuivre (7) est en place.
5. Tourner l'arbre d'hélice afin que la goupille d'entraînement (5) soit en position horizontale et centrée par rapport à l'axe sur l'arbre.
6. Placer l'hélice sur l'arbre en alignant à l'horizontale le logement prévu pour recevoir la goupille d'entraînement. Il ne devrait pratiquement pas y avoir de jeu entre le moyeu de l'hélice et l'embase.
7. Positionner la rondelle (4) sur l'arbre d'hélice puis serrer l'écrou (3).
8. Mettre en place l'anode zinc (2) et serrer sa vis de fixation après avoir appliqué du frein filet (locktite ou similaire) sur son pas de vis pour éviter qu'elle ne se desserre sous l'effet de la rotation des hélices.

Description des pièces détachées:

- | | |
|-------------------------|---|
| 1 = vis pour anode zinc | 5 = goupille d'entraînement pour l'hélice |
| 2 = anode zinc | 6 = vis de purge |
| 3 = écrou d'hélice | 7 = rondelle cuivre/
joint pour vis de purge |
| 4 = rondelle | |

I Montaggio serbatoio dell'olio ed elica o eliche

1. Montare il serbatoio dell'olio al di sopra della linea di galleggiamento di un tratto pari ad almeno il 20% della distanza tra la linea di galleggiamento e il centro del tunnel. Ciò per assicurare che vi sia una sovrappressione sufficiente dell'olio nel piede.
2. Collegare il tubo dell'olio al serbatoio e il tubo di alimentazione nella staffa del motore. Avvitare le due viti serratubo. Accertarsi che il tubo dell'olio non formi delle anse (per cui si formino delle bolle d'aria che interrompono il flusso dell'olio) e abbia un'angolazione corretta, in modo di consentire all'olio di defluire liberamente nel piede.
3. Riempire il serbatoio dell'olio con olio per ingranaggi tipo Motorex EP90.
4. Se non è stato effettuato il riempimento preventivo del piede, svitare il tappo filettato dello scarico dell'olio (6) finché l'olio defluisce, quindi serrarlo saldamente e controllare che la guarnizione di rame (7) sia presente.
5. Far ruotare l'albero dell'elica in modo che il perno di trasmissione (5) sia in posizione orizzontale e verificare che sia centrato nell'albero dell'elica.
6. Spingere l'elica sull'albero con la sede del perno di trasmissione in posizione orizzontale (stessa direzione del perno di trasmissione), completamente rientrata. Il mozzo dell'elica e il piede devono essere quasi a contatto, senza spazio intermedio.
7. Posizionare la rondella (4) sull'albero dell'elica e poi serrare il dado di bloccaggio (3) sull'albero dell'elica.
8. Installare l'anodo di zinco (2) nella posizione prevista e avvitare la vite di ritenuta dell'anodo di zinco (1). Applicare una colla per filetti (Locktite o simile) per far sì che la suddetta vite di ritenuta non si sviti a causa della rotazione dell'elica.

Descrizione delle parti:

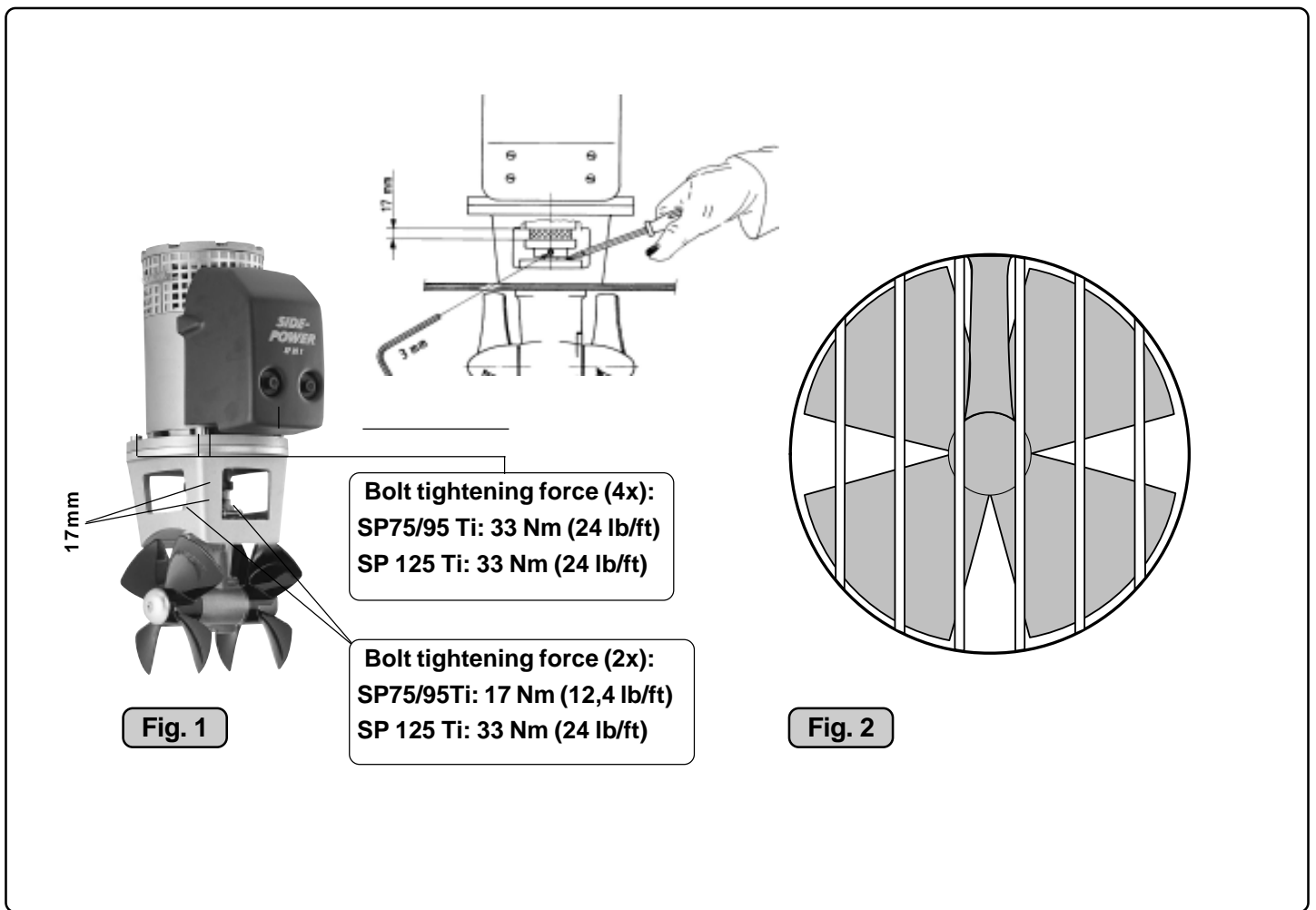
- | | |
|----------------------------------|---|
| 1: vite per anodo di zinco | 5: perno di trasmissione per l'elica |
| 2: anodo di zinco | 6: tappo filettato di scarico dell'olio |
| 3: dado di bloccaggio dell'elica | 7: rondella di rame/guarnizione per |
| 4: rondella | tappo filettato di scarico dell'olio |

FI Öljysäiliön ja potkurien asennus

1. Sijoita öljysäiliö vedenpinnan yläpuolelle etäisyydelle, joka on ainakin 20% vedenpinnan ja tunnelin keskustan välisestä etäisyydestä. Tämä siksi, että varmistetaan, että vaihteistoon tulee tarpeeksi öljypainetta.
2. Asenna öljyletku öljysäiliöön ja letkukaraan moottorilaipassa. Kiristä molemmat letkukiristimet. Varmista, ettei letkussa ole yhtään silmukkaa, johon syntyisi ilmalukkoja ja että letku on hyvässä kulmassa antaen öljyn vapaasti virrata vaihteistoon.
3. Täytä öljypurkki vaihteistoöljyllä EP90.
4. Jos et täyttänyt vaihteistoa ennen asentamista, avaa öljytulppa (6) kunnes öljyä tulee läpi, sitten kiristä tulppa kunnolla varmistaen myös, että kuparitiivistä (7) on paikalla.
5. Käännä potkuriakselia niin, että potkurisokka (5) on vaakatasossa ja varmista, että se on keskellä potkuriakselia.
6. Työnnä potkuri akselille potkurisokan uran ollessa vaakatasossa (saman suuntaisena, johon asetit potkurisokan), aina pohjaan asti. Potkurin ja vaihteiston välinen etäisyys pitäisi olla melkein olematon.
7. Aseta aluslevy (4) potkuriakselille ja kiristä sitten lukkomutteria (3) potkuriakselille.
8. Aseta sinkki (2) sille tarkoitettuun paikkaan ja kiristä sinkin kiinnitysruuvi (1). Käytä kierrelimiä (Locktite tai vastaava) varmistaaksesi, että sinkin kiinnitysruuvit eivät aukea potkurin pyörimisestä johtuen.

Osa luettelo:

- | | |
|--------------------------|------------------------------|
| 1: Sinkin kiinnitysruuvi | 5: Potkurisokka |
| 2: Sinkianodi | 6: Öljytulppa |
| 3: Potkurin lukkomutteri | 7: Öljytulpan kuparitiivistä |
| 4: Aluslevy | |



GB Fitting the electromotor

1. Check if the springs for the brushes sit correctly on the brushes (see through the metal web around the top of the electromotor).
2. Remove the 4 bolts in the motor bracket.
3. Mount the lower part of the flexible coupling and tighten the two set screws. Insert the "rubber ring" in this lower part.
4. Place the motor gently on the motor bracket. Be careful, the motor is heavy! Ensure that the "rubber ring" goes into position. Ensure that you are placing the motor so that the cable terminals on it are available for electric installation later.
5. Fasten the motor to the bracket with the 4 bolts and tighten them.
6. If you are installing the motor in an angle of more than 30 degrees off a vertical position, the electromotor needs a separate/additional support. See illustration in the measurements drawings.
7. Lift the lower part of the flexible coupling together with the rubber ring into the upper flexible coupling. The rubber ring must be in its correct position in the upper part, fully inserted but not compressed against it (17mm). Secure the lower part of the flexible coupling in its new position by tightening the two set-screws.
8. Check the drive system by turning the propeller, it will be a little hard to turn (because of the gear reduction and the motor), but you should easily be able to turn it by hand.

In some cases (shallow installation or workboat/fishingboat only) we recommend to protect the propeller by mounting a grid in the tunnel opening (Fig. 2). It is important to keep a grid to a minimum and as streamlined for the thruster's waterflow as possible, as it will decrease the effect of the thruster. Do not use Circular profile steel as it will decrease thrust significantly.

NB! Paint the gearhouse and propeller with antifouling for propellers to prevent growth of barnacles or similar which would reduce the performance dramatically. Do not paint the propeller shaft, the zincanodes or the end face of the gearhouse.

NB! Do not run the thruster for more than very short bursts without being in the water.

NB! If the boat is still being built when the electromotor is installed, it must be covered up to avoid dust from the building going into the motor and the solenoids. This cover must be removed before the thruster is being used.

D Einbau des Elektromotors

1. Die 4 Bolzen in der Motorhalterung entfernen.
2. Den unteren Teil der elastischen Kupplung montieren, beide Befestigungsschrauben festziehen und den Gummiring einsetzen.
3. Den Motor vorsichtig auf die Motorhalterung aufsetzen. Den Motor so plazieren, daß die Leitungsanschlüsse für die spätere elektrische Installation zugänglich sind.
4. Mit den 4 Bolzen Motor und Motorhalterung verschrauben.
5. Wird der Motor mehr als 30° außerhalb der Vertikalen eingebaut, so muß er ausreichend abgestützt werden. Siehe dazu die Illustration in den Maßzeichnungen.
6. Die Befestigungsschrauben im unteren Teil der elastischen Kupplung lösen. Den Gummiring ganz in den unteren Teil der elastischen Kupplung einschieben und zusammen in den oberen Teil der elastischen Kupplung schieben. Der Gummiring muß vollkommen im oberen Teil sitzen, darf aber nicht zusammen gequetscht sein (17 mm). Den unteren Teil mit den beiden Befestigungsschrauben in neuer Position festschrauben.
7. Durch das Metallgitter am oberen Motorende prüfen, ob die Federn für die Bürsten korrekt sitzen.

In manchen Fällen, z.B. bei flachem Rumpf oder im gewerblichen Einsatz (z.B. Fischfang) empfehlen wir, den Propeller durch ein Gitter vor der Tunnelöffnung zu schützen (Fig. 2). Dieses sollte auf ein Minimum beschränkt und so stromlinienförmig wie möglich sein, da die ansonsten die Leistung des Thrusters reduziert wird.

NB ! Wir empfehlen, auf das Getriebegehäuse Anti-Fouling aufzutragen. Nicht auf die Propellerachse, Zinkanoden oder den Verschluß des Getriebegehäuses auftragen.

NB ! Den Thruster nur für den Bruchteil einer Sekunde betätigen wenn dieser nicht im Wasser ist.

NB ! Wird der Elektromotor eingebaut, falls das Boot noch in Bau ist, so muß dieser abgedeckt werden, um eine Verschmutzung von Relais und Motor zu verhindern. Diese Abdeckung muß vor Benutzung des Thrusters entfernt werden.

1. Fjern de 4 boltene i i motorbraketten.
2. Settskruen i nedre del av fleksikoblingen løsnes, og gummikoblingen settes ned i sporet.
3. Plasser motoren på braketten. Plasser motoren slik at de releene er tilgjengelige for tilkobling senere. Ta hensyn til at motoren er tung når den bæres og håndteres.
4. Fest motoren til braketten med de fire boltene (Fig. 1).
5. Hvis motoren monteres i en vinkel på mer enn 30° fra loddrett, trenger den separat/ekstra støtte. Jambfør tekniske tegninger.
6. Skru løs settskruene på den nedre delen av fleksikoblingen og skyv koblingen opp i den øvre delen av koblingen. Gummi man-sjetten skal helt inn, men ikke presses opp mot øvre del (17mm).
Fest koblingen i denne posisjonen ved å feste de to settskruene på nedre del av fleksikoblingen.
7. Sjekk at børstefjærene sitter korrekt på børstene (gjøres ved å se gjennom gitteret på siden av motoren).

I visse tilfeller (ved grunne installasjoner, fiske / arbeidsfartøy fartøy) anbefaler vi å beskytte propell og girhus ved å montere et gitter foran tunnelåpningene (Fig. 2). Det er da meget viktig å beholde strømlinjeformen, og å begrense gitteret til et minimum. Feil installasjon kan begrense skyvekraften med 10%.

NB! Påfør bunnstoff på girhus og propell for å unngå vekst som kan virke sterkt hemmende på thrusterens effekt. Sinkanoder propellaksling og tetninger skal ikke stoffes.

NB! Thrusteren må kun kjøres i meget korte perioder når den ligger på land.

NB! Hvis båten fortsatt er under bygging når thrusteren blir montert må motoren dekket til for å unngå at støv og lignende trenger inn i girhus og elmotor. Dekket må fjernes før motoren tas i bruk.

1. Déposer les quatre vis sur le support moteur.
2. Monter la partie inférieure de l'accouplement flexible et serrer les deux vis de fixation. Mettre en place l'anneau élastique dans cette partie inférieure.
3. Placer avec précaution le moteur sur son support. Attention, le moteur est lourd. S'assurer que l'anneau élastique est en place et que le boîtier relais sera accessible pour le câblage électrique.
4. Fixer le moteur au support avec les 4 boulons fournis (Fig.1).
5. Si le moteur est incliné à plus de 30°, il doit être supporté séparément. Se reporter aux schémas d'encombrement.
6. Remonter la partie inférieure de l'accouplement flexible avec l'anneau élastique dans la partie supérieure. L'anneau élastique doit être bien en place dans la partie supérieure, il ne doit pas déborder ni non plus être comprimé (17 mm). Fixer la partie inférieure de l'accouplement flexible au moyen des deux vis de fixation.
7. Vérifier que les ressorts pour les balais soient correctement en place sur les balais (regarder à travers la grille de protection du moteur).

Dans certains cas (montage peu profond ou sur des bateaux de pêche / bateaux utilitaires uniquement) nous conseillons de protéger l'hélice en installant une grille de part et d'autre du tunnel (voir schéma n° 2). Il est important de réduire au minimum le frein occasionné par cette grille qui peut diminuer la poussée.

NB: peindre l'embase et l'hélice avec un antifouling pour hélices pour éviter la prolifération de petits coquillages qui pourraient réduire sérieusement les performances de l'appareil. Par contre, ne pas peindre l'arbre d'hélice, les anodes zinc ni la face arrière de l'embase.

NB: hors de l'eau, ne pas faire fonctionner le propulseur davantage que par petites impulsions.

NB: si le bateau est toujours en construction lors de l'installation du moteur, il devra être recouvert pour éviter que de la poussière s'introduise dans le moteur et dans les relais. Cette protection devra être retirée avant d'utiliser le propulseur.

1. Rimuovere i 4 bulloni situati nella staffa del motore.
2. Montare la parte inferiore del giunto flessibile e serrare le due viti di arresto. Inserire in tale parte inferiore "l'anello di gomma".
3. Appoggiare il motore delicatamente sulla staffa del motore. Fare attenzione, perché il motore è pesante! Accertarsi che "l'anello di gomma" vada in posizione. Fare attenzione a posizionare il motore in modo che i morsetti dei cavi su di esso siano disponibili per la successiva installazione elettrica.
4. Fissare il motore alla staffa con i 4 bulloni e serrarli con una coppia di Fig.1.
5. Se si sta installando il motore con un angolo superiore a 30° rispetto alla verticale, occorre un sostegno aggiuntivo per il motore elettrico. Vedere la figura nei disegni quotati.
6. Sollevare la parte inferiore del giunto flessibile con l'anello di gomma nel giunto superiore flessibile. L'anello di gomma dev'essere nella sua posizione corretta nella parte superiore, completamente inserito ma non compresso contro di essa (17 mm). Fissare la parte inferiore del giunto flessibile nella sua nuova posizione, stringendo le due viti di arresto.
7. Verificare che le molle per le spazzole siano posizionate correttamente sulle spazzole stesse (vedere attraverso la rete metallica che circonda la parte superiore del motore elettrico).

In alcuni casi (installazione poco al di sotto del linea di galleggiamento oppure barca da lavoro / peschereccio) si raccomanda di proteggere l'elica montando una griglia nell'apertura del tunnel (Fig. 2). È importante che la griglia sia il più possibile a maglie larghe e con un profilo tale da rallentare il meno possibile il flusso d'acqua dei propulsori, in quanto essa farà diminuire l'effetto del propulsore.

N.B.: verniciare il piede e l'elica con antivegetativa per eliche per prevenire la crescita di molluschi che avrebbe un notevole effetto negativo sulle prestazioni. Non verniciare l'albero dell'elica, gli anodi di zinco o la faccia esterna del piede.

N.B.: non azionare il propulsore se non per qualche attimo quando l'imbarcazione non è immersa nell'acqua.

N.B.: se l'imbarcazione è ancora in corso di costruzione quando viene installato il motore elettrico, dev'essere coperta per evitare che la polvere generata dalle operazioni di costruzione penetri nel motore e nelle elettrovalvole. Tale protezione dev'essere rimossa prima che il propulsore venga utilizzato.

1. Poista moottorilaipassa olevat 4 pulttia.
2. Asenna joustokytkimen alempi osa ja kiristä kevyesti molemmat ruuvit. Aseta "kumirengas" tähän alempaan osaan.
3. Aseta moottori varovasti moottorilaipan päälle. Ole varovainen, moottori on painava! Varmista, että "kumirengas" menee paikalleen. Tarkista, että olet asentamassa moottoria niin, että kytkentäterminaaleihin on helppo ylettyä myöhempää sähkökytkentää varten.
4. Kiinnitä moottori laippaan kiristämällä kaikki 4 pulttia (Fig.1).
5. Jos olet asentamassa moottoria kulmaan, joka on yli 30° pois pystysuorasta, sähkömoottori tarvitsee erikseen oman kannattimen. Katso kuva mittapiirustuksissa.
6. Nosta joustokytkimen alempaa osaa kumirenkaan kanssa ylempään osaan. Kumirengas täytyy olla oikeassa asennossa ylemmässä osassa, täysin sisällä mutta ei puristettu sitä vastaan (17 mm). Lukitse joustokytkimen alempi osa tähän uuteen sijaintiin kiristämällä molemmat kiinnitysruuvit.
7. Tarkista, että hiilien jouset istuvat oikein hiilessä (katso verkon läpi sähkömoottorin yläosassa).

Joissakin tapauksissa (matala asennus tai työvene / kalastusvene) suosittelemme, että potkuri suojataan asentamalla verkko tunnelin päätyihin (Kuva 2). On tärkeää pitää verkko minimaalisena ja niin virtaviivaisena kuin mahdollista potkurin vesivirtauksia vastaan, ettei se vähennä keulapotkurin työntövoimaa.

HUOM! Maalaa vaihteisto ja potkurit potkureille tarkoitettulla antifouling-maalilla estäkseen näkin tai vastaavan syntymisen, joka vähentäisi suorituskykyä huomattavasti. Älä maalaa potkuriakselia, sinkkianodeja tai vaihteiston päätyä.
HUOM! Älä käytä keulapotkuria kuin ainoastaan lyhyitä silmänräpäyksiä, jollei se ole vedessä.

HUOM! Jos venettä vielä rakennetaan kun sähkömoottori on jo asennettu, se on peitettävä jottei pölyä pääse moottoriin ja solenoideihin. Tämä suoja on poistettava ennen kuin keulapotkuri otetaan käyttöön.

SP 75 Ti
SP 95 Ti
SP 125 Ti

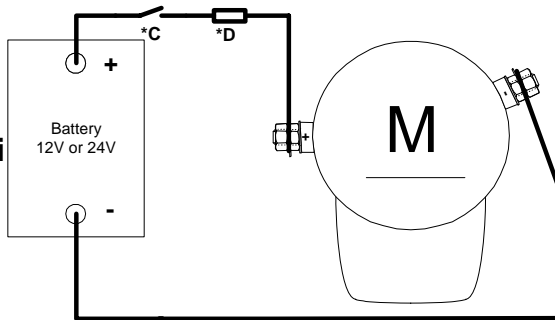


Fig. 1

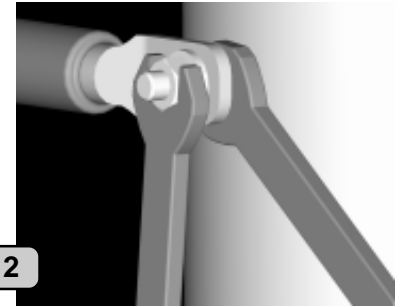


Fig. 2

Table for selection of main cable, battery, fuse and main-switch sizes.			up to 7m total + & -		7 - 14m total + & -		14 - 21m total + & -		21 - 28m total + & -		28 - 35m total + & -		36 - 45m total + & -	
Model	Voltage	Current draw	Min. Cable dimension	Min. Battery CCA by DIN	Min. Cable dimension	Min. Battery CCA by Din	Min. Cable dimension	Min. Battery CCA by DIN	Min. Cable dimension	Min. Battery CCA by Din	Min. Cable dimension	Min. Battery CCA by DIN	Min. Cable dimension	Min. Battery CCA by Din
SP 75 Ti	12 V	480 A	50 mm ² O	550 CCA Din 1045 CCA SAE	95 mm ² OOO+	550 CCA Din 1045 CCA SAE	120 mm ² OOOO+	550 CCA Din 1045 CCA SAE	150 mm ² 2xOOO	600 CCA Din 1140 CCA SAE	N / A		N / A	
	12V Extr. batt *	300 A	N / A		50 mm ² O	300 CCA Din 570 CCA SAE	70 mm ² OO+	300 CCA Din 570 CCA SAE	95 mm ² OOO+	350 CCA Din 665 CCA SAE	120 mm ² OOOO+	350 CCA Din 665 CCA SAE	150 mm ² 2xOOO	350 CCA Din 665 CCA SAE
	24 V	240 A	35 mm ² 2	300 CCA Din 570 CCA SAE	35 mm ² 2	300 CCA Din 570 CCA SAE	50 mm ² O	300 CCA Din 570 CCA SAE	70 mm ² OO+	350 CCA Din 665 CCA SAE	95 mm ² OOO+	350 CCA Din 665 CCA SAE	120 mm ² OOO+	350 CCA Din 665 CCA SAE
SP 95 Ti SP 125 Ti	12 V	680 A	70 mm ² OO+	750 CCA Din 1425 CCA SAE	105 mm ² OOOO	750 CCA Din 1425 CCA SAE	150 mm ² 2xOOO	750 CCA Din 1425 CCA SAE	175 mm ² 2xOOOO	750 CCA Din 1425 CCA SAE	N / A		N / A	
	12V Extr. batt *	400 A	N / A		70 mm ² OO+	350 CCA Din 665 CCA SAE	95 mm ² OOO+	350 CCA Din 665 CCA SAE	120 mm ² OOOO+	350 CCA Din 665 CCA SAE	150 mm ² 2xOOO	350 CCA Din 665 CCA SAE	180 mm ² 2xOOOO	350 CCA Din 665 CCA SAE
	24 V	340 A	50 mm ² O	400 CCA Din 760 CCA SAE	50 mm ² O	400 CCA Din 760 CCA SAE	70 mm ² OO+	400 CCA Din 760 CCA SAE	95 mm ² OOO+	400 CCA Din 760 CCA SAE	120 mm ² OOOO+	450 CCA Din 855 CCA SAE	150 mm ² 2xOOO	450 CCA Din 855 CCA SAE

GB Electrical installation

- Explanation of electrical table
 - All cable lengths are the total of + and - (to and from).
 - Battery size is stated as minimum cold crank capacity, not Ah.
 - Use slow fuse rated to hold stated Amp-Draw for min. 5 minutes.
 - * Cable size and main battery size when an extra bow battery with minimum the CCA mentioned as A is installed.
- It is important that you use a good cable size and batteries with a high cranking capacity to feed the thruster, because it is the actual voltage at the motor while running the thruster that decides the output rpm of the motor and thereby the actual thrust. Please see the list below for advised min. sizes of cables and batteries. You can of course use larger cables for even better results.
- A main switch (*C) that can take the load without noticeable voltage drop must be installed in the main positive lead so the power for the thruster can be turned off independent of the rest when not on board or in emergencies. This should be placed in an easy accessible place and the boats instructions should inform that this should be turned off like the boat's other main switches.
- We also advice to install a fuse (*D) in the positive lead for protection against short circuiting of the main cables. This fuse should be of a adequate quality which normally means that it is physically large as these have less voltage drop than the simple / small ones. It should be of the slow type and sized to take the amperage draw for at least 5 minutes.
- A circuit breaker can be used instead of the fuse and main power switch as long as the functionality is the same.
- The cable ends must be fitted with terminals and these must be well isolated against contact with anything but the proper connection point.
- Terminals must be properly tightened. Secure/hold inner nut when tightening (Fig. 2). Tighten with max: 15 Nm/11lb/ft. The negative/minus cable (*A) connects to the A1 (-) terminal. The positive/plus cable (*B) connects to the "+" terminal. SP 75/95/125: ø10mm / 3/8" bolt. Tighten with 15 Nm/11lb/ft.

NB! Very important to check the following with mainswitch in off position:

After all electrical connections have been completed check with an ohm meter that there is no electrical connection between electromotor body and positive terminal on the motor and between the electromotor body and the negative (A1) terminal on the motor. If you feel unsure on how to perform this check, contact skilled personnel for guidance.

D Elektrische Installation

- Übersicht:
 - Leitungslängen beziehen sich auf die Gesamtlänge von + und -
 - Batterieangabe ist min. Kaltstartkapazität, nicht Ah.
 - Sicherung: träge Ausführung; angeg. Stromverbrauch min. 5 Min.
 - * Kabel- und Batteriegröße, falls eine zusätzliche Batterie, mit min. der Kaltstartkapazität (mit A angegeben), im Bug installiert ist.
- Da die am laufenden Motor anliegende Spannung die Umdrehungszahl und damit die Leistungskraft bestimmt, sind Kabel mit ausreichendem Querschnitt und Batterien mit hoher Stromkapazität zu verwenden. Bitte die unten angegebenen Mindestgrößen für Kabelquerschnitt und Batterien berücksichtigen. Natürlich können für noch bessere Leistung überdimensionierte Bauteile verwendet werden.
- Auf der positiver Hauptseite muß ein Hauptschalter (*C) montiert werden, der die Leistung ohne größeren Spannungsverlust weiterleitet. Damit kann die Spannung für den Thruster in Notfällen abgeschaltet werden, ohne die übrige Bordelektrik zu beeinflussen. Dieser sollte an einer leicht zugänglichen Stelle platziert sein und die Anleitung darauf hinweisen, daß dieser wie die andere Bordelektrik bei Nichtbetrieb abgeschaltet werden sollte.
- Zum Schutz gegen Kurzschlüsse empfehlen wir, in der positiven Leitung eine Sicherung (*D) zu installieren. Es sollte eine Qualitätssicherung von ausreichender Größe verwendet werden. Die Sicherung sollte in "träger" Ausführung sein und die angegebene Amperezahl mindestens 5 Minuten aushalten.
- Statt Sicherung und Hauptschalter kann ein Sicherungsautomat verwendet werden, falls die gleiche Funktionalität gewährleistet ist.
- Die Leitungsenden müssen so mit Kabelschuhen versehen und isoliert sein, daß sie nur mit dem Terminal Verbindung haben.
- Die Kabelschuhe müssen korrekt angezogen werden. Die innere Mutter sichern (Fig. 2). Anzugsmoment max. 15 Nm / 11 lb/ft. Das Minus-Kabel (Negativ) (*A) am A1 (-) Terminal anschließen. Das Plus-Kabel (Positiv) (*B) am "+" Terminal anschließen SP 75/95/125: ø10mm Bolzen. Anzugsmoment: 15 Nm / 11 lb/ft.

N**Elektrisk installasjon**

- Forklaring til elektrisk tabell
 - Kabellengder tilsvarer + kabelaen, og - kabelaen (Frem og tilbake).
 - Min. batterikap. som kaldstartkapasitet (CCA), ikke Ampere.
 - Bruk trege sikringer for å forebygge spenningsfall.
- Det er viktig å bruke kabler som er store nok, og et batteri med god kaldstartkapasitet for å drive thrusteren. Det er Volten som kommer frem til motoren under kjøring som bestemmer turtallet til motoren og dermed også skyvekraften. Vær vennlig og jamfør listen over for minimum anbefalte kabel, og batteristørrelse.
- En hovedstrømbryter (*C) som ikke medfører stor spenningsfall må installeres på thrusterens plusskabel. Det bør være mulig å skru av strømmen til thruster uavhengig av resten av det elektriske systemet, når man ikke er om bord, eller i et nødstilfelle. Bryteren bør plasseres på et tilgjengelig sted, og båtens instruksmanual må ta for seg at denne skal skrues av slik som de andre hovedbrytere.
- Det må installeres sikring på pluss strømkabelen for å beskytte mot kortslutning av hovedstrømkablene. Sikringen bør være av høy kvalitet, noe som vanligvis betyr at de er fysisk store, for å unngå spenningsfall som ofte er resultatet av å bruke mindre, enklere sikringer. Sikringen skal være en treg type som tåler amper trekket til elektromotoren i minimum 5 min.
- En kretsbyter kan erstatte sikringen og hovedstrømbryteren hvis den har de samme funksjonene.
- Kabelendene kan må påmonteres terminaler og disse må isoleres mot alt som ikke er riktig kontaktpunkt.
- Det er viktig att kabelsko trekkes korrekt fast på koblingsbolt. Kontra mutter på koblingsbolt må holdes fast ved tiltrekking (Fig. 2). Minus kabelen (*A) tilkobles A1 (-) terminalen. Pluss kabelen (*B) tilkobles "+" terminalen.
SP 75/95/125: \varnothing 10mm / 3/8" på motoren dra til med 15 Nm.

F**Installation électrique**

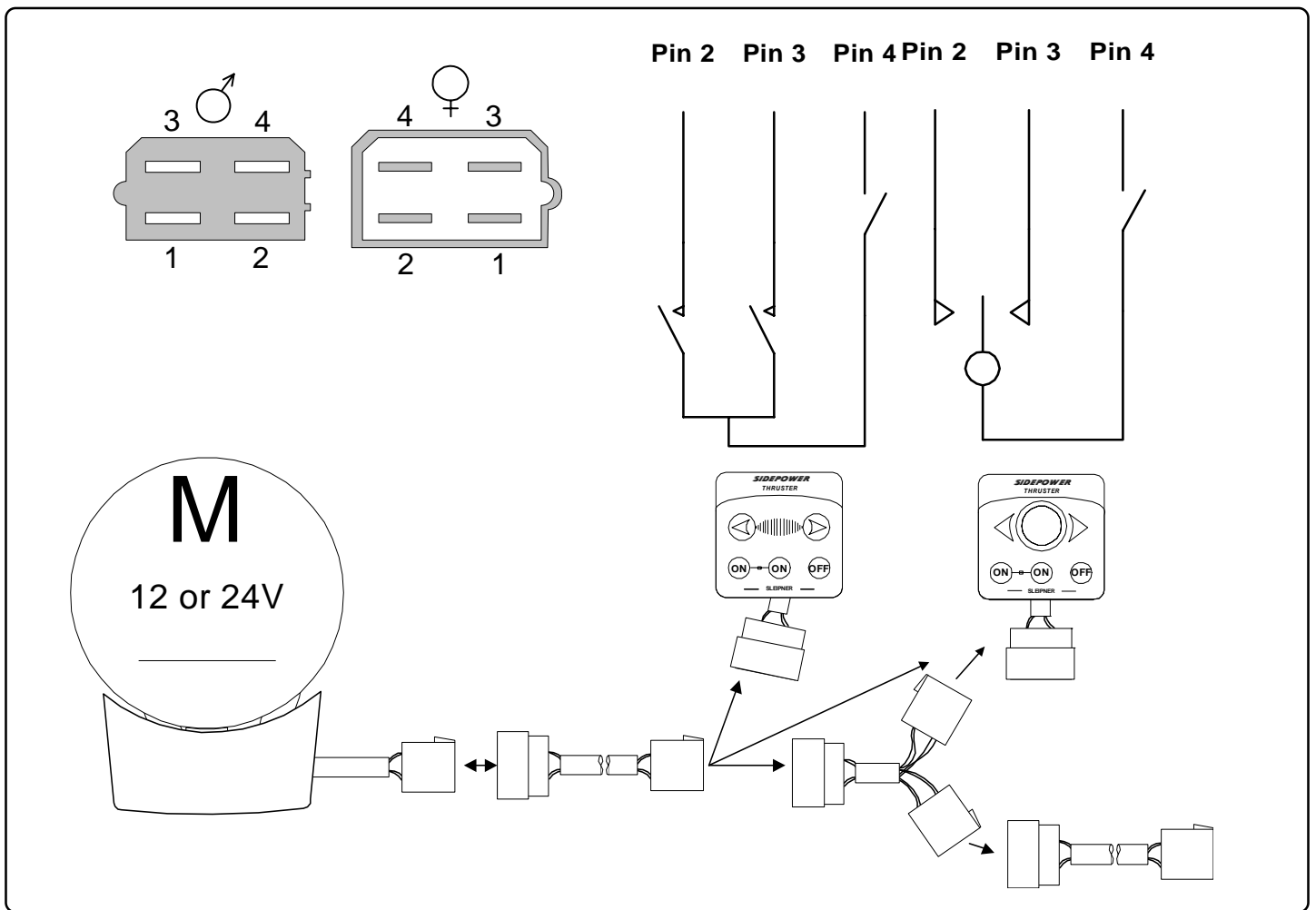
- Précisions concernant le tableau:
 - Les longueurs de câbles cumulent le circuit positif et le circuit négatif (Aller/Retour).
 - La capacité des batteries est donnée en CCA (Cold Crank Amps) et non pas en Ampères.heure.
 - Utiliser un fusible type lent capable de supporter l'intensité durant 5 minutes minimum.
- * Sections des câbles et capacité de la batterie principale lorsqu'une batterie supplémentaire d'étrave est installée.
- Il est important d'utiliser un câble de bonne taille et des batteries de forte capacité de démarrage pour alimenter le propulseur, car c'est la tension réelle du moteur pendant le fonctionnement du propulseur qui détermine le couple du moteur et par conséquent la poussée. Merci de consulter le tableau ci-dessus pour utiliser les sections et capacités minimum recommandées pour les câbles et les batteries. Il est bien entendu possible d'utiliser des câbles de plus forte section pour des résultats encore meilleurs.
- Un coupe-circuit (*C) doit être installé sur le câble positif principal pour couper indépendamment l'alimentation du propulseur en cas de non-utilisation ou en cas d'urgence. Celui-ci devra être d'excellente qualité afin d'éviter les chutes de tension. Il devra être installé dans un endroit facilement accessible et les instructions de bord devront le mentionner.
- Nous conseillons également d'installer un fusible (*D) sur le câble positif afin de protéger l'installation des courts-circuits. La qualité du fusible devra être fonction de l'usage qu'on veut en faire ce qui signifie qu'il doit être dimensionné afin d'éviter toute chute de tension. Il devra être de type lent et permettre de supporter l'intensité pendant au moins 5 mn.
- Un disjoncteur peut être utilisé à la place du fusible ainsi qu'un disjoncteur principal, tant que le fonctionnement reste le même.
- Les extrémités des câbles doivent être équipées de cosses et celles-ci devront être bien isolées afin de ne pas être en contact avec quoi que ce soit d'autre que leur point de branchement.
- Les cosses doivent être correctement fixées.
 - Le câble négatif (*A) se branche à la borne négative A1 (-).
 - Le câble positif (*B) se branche à la borne positive (+).
 - SP 75/95/125: \varnothing 10mm/boulon 3/8". Serrer à 15 Nm/11 lb/ft.

I**Installazione elettrica**

- Spiegazione del tabella elettrica
 - Tutte le lunghezze dei cavi sono il totale di + (positivo) e - (negativo) - ("da" e "a").
 - La capacità delle batterie è espressa come capacità minima di avviamento a freddo, non in Ah.
 - Utilizzare fusibili lenti, in grado di tenere al passaggio del corrente nominale per almeno 5 minuti.
- * Dimensioni dei cavi e dimensioni del batteria principale quando si installa una batteria di prora supplementare con un CCA minimo precisato come "A".
- È importante utilizzare cavi adeguatamente dimensionati e batterie con un'elevata capacità a freddo per l'alimentazione del propulsore, perché è la tensione effettiva che si ha in corrispondenza del motore quando viene azionato il propulsore che determina il numero di giri del motore e pertanto la spinta effettiva. L'elenco seguente riporta le dimensioni raccomandate per cavi e batterie. Ovviamente è possibile utilizzare cavi di dimensioni maggiori, ottenendo risultati ancora migliori.
- Un interruttore generale (*C) in grado di portare il carico senza caduta di tensione apprezzabile deve essere installato sul positivo principale, in modo che sia possibile escludere il propulsore indipendentemente dal resto del carico1 quando non c'è nessuno a bordo o in caso di emergenza. Esso dev'essere installato in un posto facilmente accessibile; nelle istruzioni dell'imbarcazione dev'essere spiegato che esso dev'essere spento al pari degli altri interruttori generali dell'imbarcazione.
- Si raccomanda inoltre di installare un fusibile (*D) sul positivo, come protezione contro i cortocircuiti dei cavi principali. Tale fusibile dev'essere di qualità adeguata, il che di norma significa che le sue dimensioni fisiche sono notevoli, in quanto tale tipo di fusibile ha una caduta di tensione minore rispetto a quelli più semplici / piccoli. Il fusibile dev'essere di tipo lento e dimensionato in modo tale da tenere al passaggio del corrente nominale per almeno 5 minuti.
- È possibile utilizzare un interruttore automatico invece del fusibile e dell'interruttore generale, purché le funzionalità siano identiche.
- Le estremità del cavo devono essere dotate di morsetti e questi devono essere ben isolati,, escludendo il contatto con qualsiasi cosa che non sia l'opportuno punto di collegamento.
- Il cavo negativo (-) (*A) viene collegato al morsetto A1 (-). Il cavo positivo (+) (*B) viene collegato al morsetto "+".
Bullone \varnothing 10mm. Serrare con una coppia da 15Nm- 11lb/ft.

F**Sähkökytkentä**

- Sähkötaulukon selitys
 - Kaikki kaapelipituudet ovat kokonaismitat + ja -.
 - Akun koko on annettu minimi CCA (kylmäkäynnistysvirta DIN), ei Ah.
 - Käytä hitaita sulakkeita, jotka kestävät annetun ampeerimäärän min. 5 minuuttia.
- * Kaapelikoko ja käynnistys akun koko, kun erillinen akku annetulla CCA mitoituksella on asennettu keulapotkurille.
- On tärkeätä, että käytät tarpeeksi suuria kaapeli kokoja ja akkuja, joissa korkea CCA DIN (kylmäkäynnistysvirta), koska käytössä todellinen voltimäärä moottorissa määrittelee moottorin kierrokset ja näin ollen myös työntövoiman. Katso taulukosta suositellut minimi koot kaapeleille ja akuille. Voit tietysti käyttää suurempia kaapeleita saadaksesi vielä paremmat arvot.
- Pääkatkaisija (*C), joka kestää vaadittavan kuormituksen ilman jännitehäviötä on asennettava päävirran plussakaapeliin, jotta keulapotkurin virta voidaan erikseen katkaista veneestä poistuttaessa tai hätätapauksissa. Tämä pitäisi asentaa paikkaan, johon on helppo ylettyä ja veneen käsikirjaan pitäisi liittää informaatio tästä ja että se täytyy sulkea kuten muut pääkatkaisijat.
- Suosittelemme myös, että sulake (*D) asennetaan päävirran plussakaapeliin, estämään päävirtakaapelin oikosulun. Tämä sulake pitäisi olla riittävän laadukas, mikä yleensä tarkoittaa sitä, että se on fyysisesti iso, koska näissä on vähemmän virtahäviötä kuin pienemmissä. Se pitäisi olla hidas ja kestää annettun ampeerimäärän vähintään 5 minuuttia.
- Automaattikatkaisijaa voidaan käyttää sulakkeen ja pääkatkaisijan tilalla, mikäli se täyttää vaatimukset.
- Kaapelipäissä on käytettävä liittimiä ja ne on suojattava kosketukselta kaikesta muusta kun oikeasta kytkentäterminaalista.
Miinuskaapeli (*A) kytketään A1 (-) terminaaliin.
Plussakaapeli (*B) kytketään «+» terminaaliin.
SP 55/75/125: \varnothing 10mm / 3/8" pultti.
Kivistä 15 Nm / 11 lb/ft momenttiin.



GB Control panel and control-leads

Control panel installation:

- All standard Sidepower control panels of 1999 models and later can be used in any combination as well as any two way switching device when installed with an ON/OFF switch that breaks control power to this switch.
- You can install as many panels as you wish by using optional Y-connectors. If two or more panels are operated at the same time in opposite directions, the electronic control box will stop the thruster until it only receives a signal to go in one direction.
- When using original Sidepower equipment it is all "plug & go".
- If the drive direction of the thruster is the opposite of what expected, the blue and grey wire must be changed on the thruster solenoid. You must turn the electronic control box 180o around in its clip to do this.
- All controls must have spring load for automatic return to neutral position.
- The mechanical installation of the panel is described in the manual following the panel.
- The thruster control should be placed in a position were it is easy to use, and it is very common to use the thruster at the same time as your gear/throttle lever so it is normally a user friendly solution to be able to access these with one hand for each control.

Pin configuration of 4 pole AMP contact:

Pin1:	BLACK	=	Ground
Pin2:	BLUE	=	Engages thruster SB solenoid
Pin3:	GREY	=	Engages thruster Port solenoid
Pin4:	RED	=	Positive voltage for control panel

D Steuerpanel und -kabel

Kontrollpanelinstallation:

- Alle Sidepower-Panels der Modellreihe 1999 und später können in beliebiger Kombination, sowie mit einem 2 Wege Schalter, falls ein Ein/Aus Schalter installiert ist, der den Steuer-strom zu diesem Schalter unterbricht, verwendet werden.
- Es können beliebig viele Panels mit Hilfe des Y-Verbinders verwendet werden. Werden gleichzeitig zwei oder mehr Panels in unterschiedlicher Richtung betätigt, so stoppt die Kontrollbox den Thruster, bis dieser nur ein Richtungssignal erhält.
- Bei Verwendung von original Sidepower Komponenten ist das gesamte elektrische Systeme "plug & go".
- Läuft der Thruster entgegengesetzt zum Kontrollpanel, so müssen die blaue und graue Leitung an den Hauptrelais gegeneinander getauscht werden. Hierbei muß die elektronische Kontrollbox um 180° gedreht werden.
- Alle Schalter müssen über eine automatische Rückstellung (Federmechanismus) in Nullposition verfügen.
- Die mechanische Installation des Panels ist in der dem Panel beiliegenden Anleitung beschrieben.
- Das Panel sollte in einer Position montiert werden, wo es leicht zu bedienen ist. Da Thruster und Hauptantrieb oft zusammen verwendet werden, ist es benutzerfreundlich, das Panel so zu positionieren, daß mit je einer Hand gesteuert werden kann.

Pin-Belegung des 4 poligen AMP Kontakts:

Pin1:	SCHWARZ	=	Masse
Pin2:	BLAU	=	Steuert Thruster SB Relais
Pin3:	GRAU	=	Steuert Thruster BB Relais
Pin4:	ROT	=	Positive Spannung für Kontrollpanel

N Kontrollpanel og kontrollkabler

Kontrollpanel installasjon:

- Alle standard "Sidepower" panel for 1999 modeller og senere kan brukes i enhver kombinasjon med hverandre.
- Alle fireleders, toveis kontrollbrytere kan også brukes hvis de er utstyrt med en "av og på" bryter for som bryter strømmen til bryteren.
- Det er mulig å installere så mange kontrollpanel som ønskelig ved å bruke "Sidepower" Y-stykker.
- Hvis thrusteren skulle motta flere forskjellige signaler samtidig så kutter den til den mottar kun et signal fra et kontrollpanel.
- Ved bruk av Sidepower originalutstyr er alle elektriske kontakter klare til å plugges i sammen.
- Hvis kjøreretningen ikke stemmer overens med forventningene må blå og grå ledning på Thruster-releet byttes om. For å få til dette må den elektroniske kontrollboksen snus 180° i braketten.
- Alle paneler må ha et fjær oppheng som gjør at de automatisk hopper til nøytral posisjon etter bruk.
- Monteringsveiledning for panelet følger panelet.
- Thrusterpanelet bør monteres et sted det er lett å bruke. Siden gass og gir ofte brukes samtidig som thrusteren, er det ofte en god løsning å ha muligheten å operere disse med hver sin hånd.

Pinne konfigurasjon for fireleder AMP kontakt:

- Pinne 1: Svart = Jord
Pinne 2: Blå = Aktiverer thruster rele Styrbord
Pinne 3: Grå = Aktiverer thruster rele Babord
Pinne 4: Rød = Pluss til kontrolpanel

F Panneau de commande et câblage

Montage du panneau de commande

- Tous les panneaux de commande Sidepower standards, modèle 1999 et à suivre, peuvent être utilisés dans toutes les combinaisons comme n'importe quel interrupteur à deux positions, lorsqu'ils sont montés avec un interrupteur ON/OFF qui coupe l'alimentation.
- Il est possible d'installer autant de panneaux que souhaité en utilisant des connecteurs en «Y» en option. Si deux panneaux ou plus fonctionnent en même temps dans des directions opposées, le boîtier de contrôle électronique stoppera le propulseur jusqu'à ce qu'il reçoive un signal pour aller dans une seule direction.
- Les équipements Sidepower d'origine, sont totalement «plug & go» (branchez et partez).
- Si la poussée du propulseur est à l'opposé de la commande, les fils bleu et gris devront être interchangés sur le relais du propulseur. Pour y parvenir, il faut tourner le boîtier de contrôle électronique de 180° autour de ses clips.
- Tous les joysticks doivent être du type à retour automatique position neutre dès qu'ils sont relâchés (momentané bâbord/OFF/momentané tribord).
- Le montage mécanique du panneau est décrit dans ce manuel après la rubrique «Panneau de commande».
- Le panneau de commande du propulseur devra être placé dans une position où il sera facile à utiliser, le plus simple consiste à le positionner près de la commande moteur.

Configuration à 4 fils :

- Fil 1 Noir = négatif
Fil 2 Bleu = commande relais tribord
Fil 3 Gris = commande relais bâbord
Fil 4 Rouge = tension positive pour panneau de commande

I Pannello di comando

Installazione del pannello di comando:

- È possibile utilizzare tutti i pannelli di controllo Sidepower standard dei modelli 1999 e successivi in qualsiasi combinazione, nonché due qualsiasi dispositivi di commutazione a due vie installati con un interruttore ON/OFF che escluda questo dispositivo.
- È possibile utilizzare tutti i pannelli che si desidera utilizzando connettori a "Y" (opzionali). Se si azionano contemporaneamente due o più pannelli in direzioni opposte, l'elettronica di comando arresta il propulsore finché esso riceve solo un segnale di movimento in un'unica direzione.
- Quando si utilizzano apparati Sidepower originali, basta collegare gli apparati e il sistema è pronto a entrare in funzione ("plug&go").
- Se il propulsore gira in senso opposto rispetto a quanto ci si aspettava, occorre cambiare il filo blu e grigio sull'elettrovalvola del propulsore. Per far ciò, occorre ruotare l'elettronica di comando di 180° nel suo fermaglio.
- Tutti i controlli devono avere una molla di contrasto, per il ritorno automatico alla posizione neutra.
- L'installazione meccanica del pannello di comando è descritta nel manuale, dopo il quadro di comando.
- Il comando del propulsore dev'essere installato in una posizione in cui sia facilmente utilizzabile. È molto comune utilizzare il propulsore mentre contemporaneamente si agisce sulla leva dell'acceleratore, per cui di solito è preferibile dare la possibilità di utilizzare una mano per ciascun comando.

Configurazione dei piedini di un contatto AMP quadripolare:

- Piedino 1: NERO Terra
Piedino 2: AZZURRO Innesso elettrovalvola propulsore di dritta
Piedino 3: GRIGIO Innesso elettrovalvola propulsore di sinistra
Piedino 4: ROSSO Tensione positiva per quadro di comando

FI Käyttöpaneeli ja käyttökaapelit

Käyttöpaneelin asennus:

- Kaikkia alkuperäisiä Sidepower-käyttöpaneeleita, (1999 tai uudemmat) voidaan käyttää missä tahansa yhdistelmässä (hipaisupaneeli ja joystickpaneeli sopivat keskenään). Jos tavallista 2-tie katkaisijaa käytetään täytyy tälle asentaa erillinen on/off katkaisija.
- Voit käyttää niin monta paneelia kuin haluat y-liitoksia käyttämällä. Jos kahta tai useampaa paneelia käytetään yhtä aikaa vastakkaisiin suuntiin, pysäyttää elektronikka keulapotkurin kunnes se vastaanottaa ainoastaan yhden signaalin.
- Käytettäessä alkuperäisiä Sidepower-tarvikkeita, ovat kaikki kytkennät pikaliittimillä.
- Jos keulapotkurin työntö on vastakkaiseen suuntaan mitä odotettu, täytyy sinisen ja harmaan johdon paikka vaihtaa solenoidissa. Jotta tämä onnistuisi täytyy sähköboksi kääntää 180° ympäri pidikkeessä.
- Kaikki katkaisijat täytyy olla nolla asentoon palautuvia.
- Paneelin mekaaninen asennus kuvataan paneelin mukana tulevassa oppaassa.
- Keulapotkurin käyttöpaneeli tulisi sijoittaa niin, että sitä on helppo käyttää. On tavallista, että keulapotkuria käytetään samalla kuin vaihte/kaasuvipua, joten yleensä on käyttäjätystävällinen ratkaisu jos ylettyy näihin yhdellä kädellä.

4 napaisen AMP liittimen kytkentä:

- Napa 1: MUSTA = Maadoitus
Napa 2: SININEN = Käynnistää styyrpuuri solenoidin
Napa 3: HARMAA = Käynnistää paapuuri solenoidin
Napa 4: PUNAINEN = Positiivinen virta käyttöpaneelille

GB "Visual" wiring diagram

F Schéma visuel de branchement

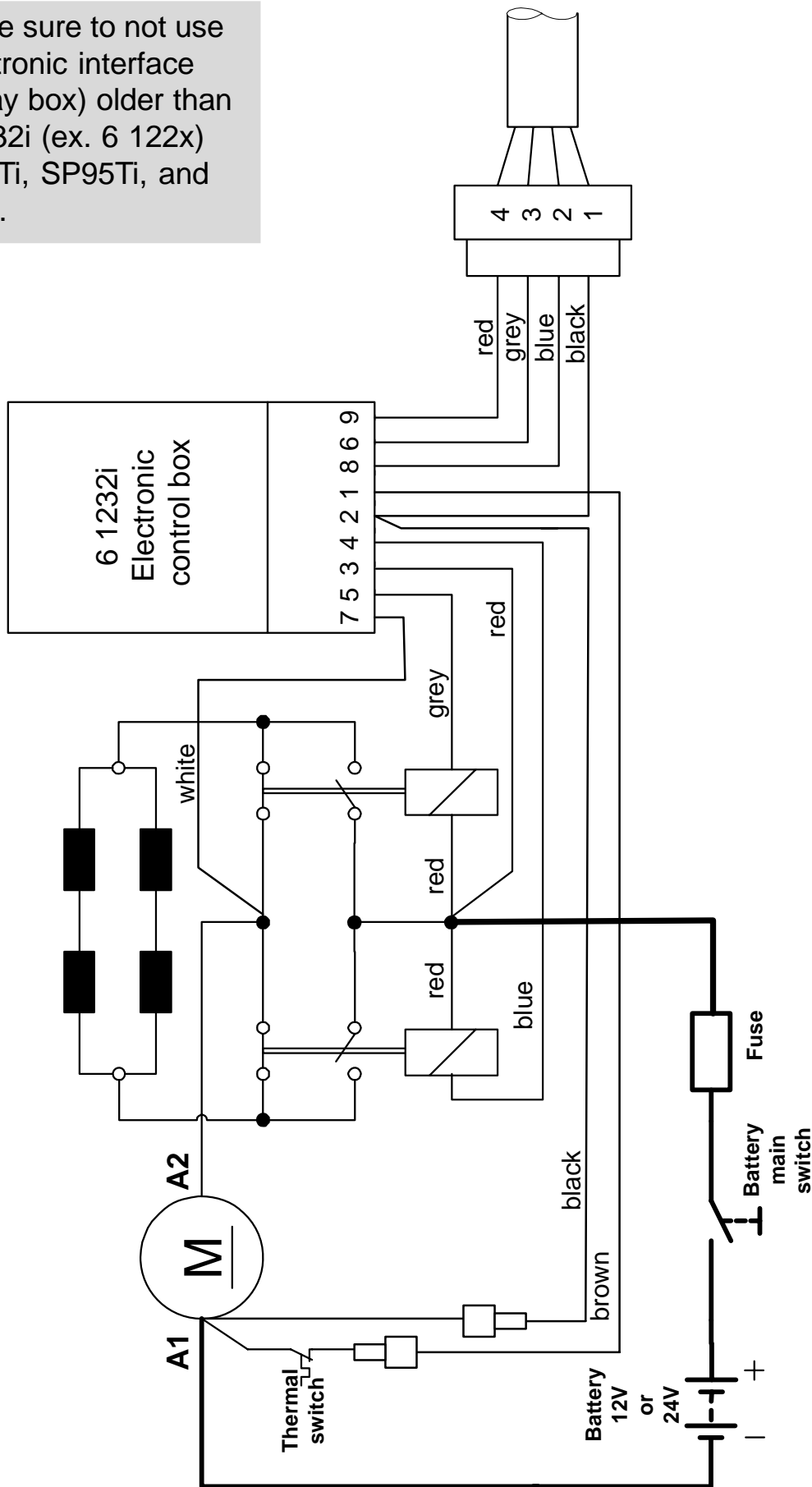
D Schaltplan - Übersicht

I Schema di connessione visivo

N Koblingsskjema elektrisk

FI Visualinen kytkentäkaava

NB! Make sure to not use any electronic interface box (delay box) older than the 6 1232i (ex. 6 122x) on SP75Ti, SP95Ti, and SP125Ti.



GB Technical wiring diagram

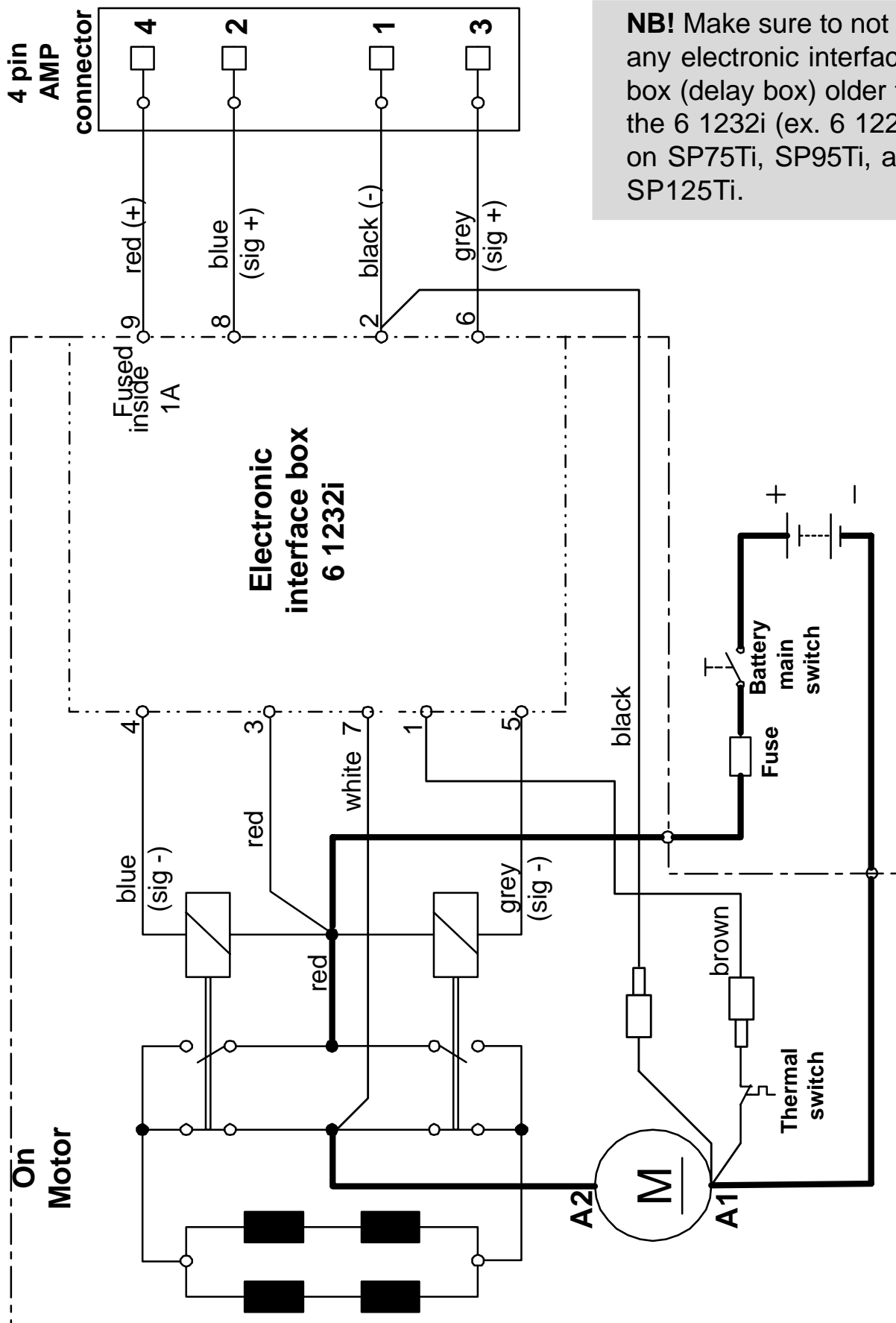
D Schaltplan

N Koblingskjesma

F Schéma technique de branchement

I Schema di connessione tecnico

EI Tekninen kytkentäkaava



NB! Make sure to not use any electronic interface box (delay box) older than the 6 1232i (ex. 6 122x) on SP75Ti, SP95Ti, and SP125Ti.

- Propeller is fastened correctly to the shaft.
- Propeller turns freely in tunnel.
- Lower-unit is filled with gearoil.
- Oil-drain screw is tightened and the copper seal is present.
- The zinc-anode holding screw is tightened well with thread glue.
- Anti-fouling have been applied to the gearhouse and propeller but NOT on the zincanode or the gearhouse lid where the propeller is fastened.
- Oil tank is fitted above the waterline as required and filled with gearoil.
- The brush springs are fitted correctly on the brushes in the electromotor (check through the grid around the top end of the motor).
- Correct drive direction as per controlpanel.
- All electrical connections are clean, dry and tight, and the correct cable, fuse and main switch sizes have been used.
- With a ohm meter check that there is no electrical connection between electromotor body and positive terminal on the motor and between the electromotor body and the negative (A1) terminal on the motor.
- The bolts holding the gearhouse and motorbracket together are tightened correctly.
- The bolts holding the electromotor to its bracket are tightened correctly.

The thruster has been installed as per the instructions in this manual and all points in checklist above have been controlled.

Signed: Date:.....

Extra pre-delivery tests by installer/yard who does not use other quality control systems !

Thruster type: Voltage:

Serial number: Date of delivery:

Correct drive direction as per control panel:

Voltage at thruster when running:

Battery cable size used:

The compartment where the thruster is fitted is isolated from general bilge water and has no obvious or suspected risks for flooding.

Other comments by installer:

- Der Propeller ist korrekt auf der Achse befestigt.
- Der Propeller läßt sich frei im Tunnel drehen.
- Das Getriebegehäuse ist mit Getriebeöl gefüllt.
- Die Ölablaßschraube ist (inkl. Kupferdichtung) angezogen.
- Die Befestigungsschraube der Zinkanode ist mit Locktite o.ä. versehen und angezogen.
- Antifouling ist auf Getriebegehäuse und Propeller aufgetragen, NICHT auf Zinkanode oder den Verschuß des Getriebegehäuses, wo der Propeller anliegt.
- Der Vorratsbehälter für das Öl ist oberhalb der Wasserlinie montiert und wie vorgeschrieben mit Getriebeöl gefüllt.
- Die Bürstenedern sitzen korrekt auf den Bürsten im Elektromotor (durch das Gitter am oberen Motorende prüfen).
- Kontrollpanel und Thruster funktionieren in gleicher Richtung.
- Alle elektrischen Verbindungen sind sauber, trocken und fest. Die richtige Leitungs-, Sicherungs- und Hauptschaltergröße sind verwendet worden.
- Die Bolzen, die Getriebegehäuse und Motorhalterung zusammen halten, sind korrekt angezogen.
- Die Bolzen, die Elektromotor und Motorhalterung zusammen halten sind korrekt angezogen.

Der Thruster ist wie in diesem Manual vorgeschrieben installiert und alle Punkte der obigen Checkliste sind kontrolliert worden.

Unterschrift: Datum:

Zusätzlicher Test vor Auslieferung durch den Installateur/Werft, falls nicht andere Qualitätskontrollpanel-Systeme verwenden !

Thruster Typ: Spannung:

Seriennummer: Lieferdatum:

Kontrollpanel und Thruster funkt. in gleicher Richtung:

Spannung am laufenden Thruster:

Querschnitt der verwendeten Batteriekabel:

Das Abteil für den Thruster ist von Kielraumwasser abgeschirmt und ohne offensichtliches Risiko der Überflutung.

Anmerkungen des Installateurs:

- Propellen er festet til akselen på korrekt vis.
- Propellen roterer fritt i tunnel.
- Under vannhuset er fylt med olje.
- Det er tett ved tapeskruen, og kobbertettingen er på plass
- Festeskruen til sinkanoden er festet med gjengelim.
- Bunnstoff er påført girhus og propell, men ikke på sinkanode, tetninger eller propelaksel.
- Oljetanken er montert over vannlinja, i henhold med instruksjonene gitt i denne manualen.
- Børstefjærene er riktig plassert mot børstene. Dette sjekkes ved å se gjennom gitteret på siden av motoren.
- Kontrollpanel gir korrekt kjøretning på thrusteren.
- Alle elektriske koblinger er rene, tørre og tette. Korrekte kabler, sikringer og hovedstrømsbryter er brukt.
- Boltene som festet brakket til girhus er festet korrekt.
- Boltene som festet motor til brakket er festet korrekt.

Thrusteren er installert i henhold til instruksene gitt i denne manualen, og alle punkter i sjekklisen er kontrollert.

Signatur: Dato:

Anbefalt før leverings test for installør / verft som ikke bruker andre kvalitetskontroll systemer!

Thruster type: Volt:

Seriennummer:

Leveringsdato:

Korrekt kjøretning per kontrollpanel:

Spenning målt på thruster under kjøring:

Strømkabler:

Skottet hvor thrusteren er montert er isolert fra kjølvann og har ingen åpenbar risiko for lekkasje.

Kommentar fra installør:

- L'hélice est correctement fixée sur l'arbre
- L'hélice tourne librement dans le tunnel
- Le plein d'huile de l'embase est effectué
- La vis de purge est serrée et les joints cuivre en place
- Du frein filet a été appliqué sur la vis de fixation de l'anode zinc; cette dernière est bien serrée
- L'antifouling a été appliqué sur l'embase et l'hélice mais PAS sur l'anode zinc NI sur le couvercle de l'embase du côté hélice
- Le réservoir à huile est installé au-dessus de la ligne de flottaison comme demandé et rempli avec de l'huile
- Les ressorts de balais sont correctement positionnés sur les balais dans le moteur (vérifier à travers la grille autour de l'extrémité du moteur)
- Contrôle de la direction à partir du panneau de commande
- Tous les branchements électriques sont propres, secs et serrés et un dimensionnement correct des câbles, fusibles et coupe-circuits a été respecté
- Les boulons de fixation de l'embase et du support moteur sont correctement serrés
- Les vis servant à fixer le moteur sur son support sont correctement serrées

Le propulseur a été installé conformément aux instructions de ce manuel et tous les points de la liste de contrôles ci-dessus ont été vérifiés.

Signature: Date:

Tests conseillés avant livraison par l'installateur/le chantier qui n'utilise pas d'autres systèmes de contrôle qualité.

Type de propulseur: Tension:

N° de série: Date de livraison:

Direction d'entraînement correcte
à partir du panneau de commande :

Tension au propulseur en marche: Section câble batterie utilisée:
Le compartiment où le propulseur est monté a été isolé des eaux de cale et ne présente pas de risques, cachés ou apparents, d'inondation.

Autres commentaires de l'installateur:

- L'elica è fissata correttamente all'albero.
- L'elica gira liberamente nel tunnel.
- L'olio per ingranaggi è stato introdotto nel gruppo inferiore.
- Il tappo filettato di scarico dell'olio è serrato e la guarnizione di rame è presente.
- La vite di bloccaggio dell'anodo di zinco è ben stretta e bloccata con la colla speciale per filetti.
- La vernice antivegetativa è stata applicata al piede e all'elica ma NON all'anodo di zinco o al coperchio del piede al quale l'elica è fissata.
- Il serbatoio dell'olio è installato al disopra della linea di galleggiamento, come richiesto, ed è stato riempito con olio per ingranaggi.
- Le molle per le spazzole sono montate correttamente sulle spazzole del motore elettrico (controllare osservando attraverso la griglia che circonda l'estremità superiore del motore elettrico).
- La direzione di avanzamento è quella corretta (corrisponde a quella indicata sul quadro di comando).
- Tutti i collegamenti elettrici sono puliti, asciutti e ben stretti; sono stati inoltre utilizzati cavi, fusibili e interruttori generali correttamente dimensionati.
- I bulloni di fissaggio del piede e del staffa del motore sono serrati correttamente.
- I bulloni di fissaggio del motore elettrico alla rispettiva staffa sono serrati correttamente.

Il propulsore è stato installato secondo le istruzioni contenute in questo manuale e tutti i punti sopra elencati sono stati controllati.

Firma: Data:

Prove ulteriori prima del consegna, eseguite da installatore / cantiere navale che non utilizza altri sistemi di controllo qualità.

Tipo di propulsore: Tensione:

Numero di matricola: Data di consegna:

Direzione di avanzamento corretta
(corrispondente al quadro di comando):

Tensione in corrispondenza del
propulsore durante l'azionamento:

Dimensioni del cavo batteria utilizzato:

Il vano nel quale il propulsore è installato è stato isolato dall'acqua di sentina e non c'è alcun rischio, evidente o sospetto, di allagamento di tale vano.

Altre osservazioni dell'installatore:

- Potkuri on oikein asennettu akseliin.
- Potkuri pyörii vapaasti tunnelissa.
- Vaihteisto on täytetty öljyllä.
- Öljytulppa on kiristetty ja kuparitiiviste on paikalla.
- Sinkin kiinnitysruuvi on hyvin kiristetty kierrellimalla.
- Antifouling-maalia on laitettu vaihteiston ja potkurin päälle, mutta EI sinkin tai vaihteistokannen (potkurin takana) päälle.
- Öljysäiliö on vedenpinnan yläpuolella kuten vaadittu ja täytetty öljyllä.
- Hiilen jouset ovat kunnolla asennettu sähkömoottorissa (tarkista verkon läpi sähkömoottorin yläosassa).
- Työntövoima on samansuuntainen kun käyttöpaneelissa.
- Kaikki sähkökytkennät ovat puhtaita, kuivia ja kireitä, oikeaa kaapelia, sulaketta ja päävirtakatkaisijaa on käytetty.
- Moottorilaippaa ja vaihteistoa kiinnittävät pultit ovat kiristetty oikeaan momenttiin.
- Sähkömoottoria kiinnittävät pultit ovat kiristetty oikeaan momenttiin.

Keulapotkuri on asennettu tämän kirjan ohjeitten mukaan ja kaikki varmistuslistan kohdat on tarkistettu.

Allekirjoitus: Päiväys:

Lisätestit, jotka asentaja/telakka, jotka eivät käytä muita laadunvalvonta järjestelmiä, on tehnyt ennen toimitusta!

Keulapotkuri: Jännite:

Sarjanumero: Toimituspäivä:

Oikea työntösuunta paneelin nähden:

Laitteen jännite pyöriessä: Käytetty virtakaapeli:

Tila, johon keulapotkuri on asennettu on eristetty pilssivedeltä eikä sisällä mitään näkyvää riskiä tulvaan.

Muita asentajan mielipiteitä:

- Ensure that you know the location of the main battery switch that disconnects the thruster from all power sources (batteries) so that the thruster can be turned off in case of a malfunction.
- Always turn the main power switch off before touching any part of the thruster, as an incidental start while touching moving parts can cause serious injuries.
- Always turn the control device off when the thruster is not in use.
- The maximum continuous usage time of the electrical thruster is approximately 3 minutes. The electromotor has a built in thermal cut-off switch that will shut off the electromotor if it is overheating and re-engage it when it has cooled down some. This should be considered when planning your maneuvering.
- This also means that the thruster will limit its total running time per time period so that you can not count on the thruster to hold you in a current and side wind for extensive time periods. Depending on the surrounding temperatures etc. the thruster will be able to run approximately 10 % of the time.
- Never use a thruster close to somebody in the water, as the thruster will draw objects close by into the tunnel and contact with the rotating propellers will cause serious injuries.
- With the boat on land, only run the thruster for a fraction of a second, as without resistance it will accelerate very fast to a damaging rpm. Also, while the thruster is in air, make sure that the propellers have come to a complete stop before performing a directions change of the thruster, as it might cause damage to the thruster.
- If the thruster stops giving thrust while the electromotor is running, chances are that there is a problem in the drive-system. You must then immediately stop trying to run it, and turn it off, as running the electromotor for more than a few seconds without resistance from the propeller, can cause serious damage to the electromotor.
- When leaving the boat always turn off the main power switch for the thruster.
- We advice to always keep the main engine(s) running while using a thruster. This will keep the batteries in a good charge condition. This will also give better performance to the thruster, as a higher voltage at the thruster results in a higher torque (power) in the electromotor.
- Please note that the performance of a thruster strongly depends on the voltage available at the electromotor. This voltage will decrease by time because aging batteries have a reduction of capacity. By installing new batteries the effect of the thruster should be back at the original level.
- Make sure that only one control is used at the same time, if two panels are operated in opposite directions at the same time the thruster will not run at all. If they are operated in the same direction the thruster will run in this direction.
- If the thruster is not performing or functioning as usual, the cause for this must be found and corrected as soon as possible so to avoid causing any other or further damage to the equipment. You must also turn off the main battery switch immediately in case the problem is of electric origin.
- Never store anything (e.g. equipment, sails, ropes etc.) in the same compartment as the thruster. When the thruster runs for a longer period it will get hot and will cause damage.

- Vergewissern Sie sich, wo der Hauptschalter für die Batterien ist, damit der Thruster im Notfall abgeschaltet werden kann.
- Vor Arbeiten am Thruster oder in dessen Umgebung immer den Hauptschalter ausschalten, da ein unbeabsichtigter Start durch die rotierenden Teile zu Verletzungen führen kann.
- Immer die Kontrolleinheit ausschalten, wenn der Thruster nicht benutzt wird.
- Die maximale Dauer bei kontinuierlicher Benutzung beträgt ca. 3 Minuten. Der Elektromotor verfügt über einen Thermoschalter, der den Thruster bei Überhitzung abschaltet und den Betrieb nach entsprechender Abkühlung wieder zulässt. Dies sollte vor entsprechenden Manövern berücksichtigt werden.
- D.h., daß der Thruster in seiner Laufzeit per Zeiteinheit eingeschränkt ist, sodaß eine bestimmte Position nicht für längere Zeit gehalten werden kann. Abhängig von der Umgebungstemperatur etc. kann der Thruster ca. 10 % innerhalb eines beliebigen Zeitraumes betrieben werden.
- Den Thruster nicht verwenden, wenn sich eine Person im Wasser in der Nähe befindet, da der Thruster Objekte in der Umgebung in den Tunnel zieht und dies zu schwerwiegenden Verletzungen führen kann.
- Den Thruster außerhalb des Wassers nie länger als eine Sekunde betreiben, da dies den Elektromotor beschädigen kann.
- Ist keine Schubkraft vorhanden, obwohl der Thruster läuft, kann ein Getriebeproblem vorliegen. Der Thruster muß dann sofort ausgeschaltet werden, da der Elektromotor nach kurzer Laufzeit ohne den Widerstand des Propellers schwer beschädigt werden kann.
- Bei Verlassen des Schiffes immer den Thruster über den Hauptschalter ausschalten.
- Es ist vorteilhaft, die Hauptaggregate zu betreiben, wenn der Thruster benutzt wird. Dies garantiert einen guten Ladezustand und führt zu höherer Leistung des Thrusters, da die Spannung am Thruster mehr Rotationskraft im Elektromotor bewirkt.
- Bitte berücksichtigen Sie, daß die Leistung des Thrusters stark von der anliegenden Spannung abhängt. Diese ist bei gealterten Batterien geringer, sodaß die volle Leistung mit neuen Batterien wieder zur Verfügung steht.
- Sicherstellen, daß jeweils nur ein Kontrollpanel verwendet wird, da der Thruster bei zwei Panels mit unterschiedlicher Richtungsangabe nicht reagiert. Sollten diese beide in die gleiche Richtung betätigt werden, so läuft der Thruster in entsprechender Richtung.
- Funktioniert der Thruster nicht korrekt, so muß die Ursache hierfür unverzüglich gefunden und behoben werden, um weiteren Schaden für die Gerätschaften zu vermeiden. Im Falle eines elektrischen Problems ist der Hauptschalter für die Batterien sofort auszuschalten.

- Forviss deg om at du kjenner plasseringen av hovedstrømsbryteren til baugthrusteren, som kutter all strøm til thrusteren, så thrusteren kan skrus av i nødstilfelle.
- Før berøring av noen del av thrusteren må alltid strømmen skrus av. En tilfeldig start kan volde stor fysisk skade.
- Skru alltid av kontrollpanelet etter bruk.
- Den maksimale sammenhengende kjøretiden for en elektrisk thruster er ca. 3 min. da vil en føler automatisk skru av motoren når den når en viss varme. Dette må tas i betraktning når en manøver planlegges.
- Dette betyr at ved manøvere som tar lang tid vil ikke thrusteren kunne brukes hele kontinuerlig. Ved manøvere som tar lang tid kan man bruke thrusteren i ca 10 % av tiden, avhengig av temperaturen i vannet.
- Bruk aldri thrusteren når noen er i vannet, thrusteren vil trekke gjenstander til seg og kontakt med propellen vil volde alvorlig skade.
- Kjør aldri thrusteren i mer enn 1 sek. når båten er på land. Uten motstand fra vannet vil thrusteren nå ødelegende turtall svært fort.
- Hvis thrusterne stopper å gi skyvekraft mens motoren er i gang, er det trolig oppstått problemer i girsystemet. Stopp umiddelbart å kjøre motoren, og skru den av. Uten motstand fra vannet vil thrusteren nå ødelegende turtall svært fort.
- Når man forlater båten skal alltid hovedstrømsbryteren slås av.
- Vi anbefaler å ha motoren i gang når thrusteren kjøres. Da vil batterien vedlikeholdes, og det vil være høyere spenning til elektromotoren. Høyere spenning gir høyere turtall og bedre ytelse.
- Ytelsen til en baugthruster avhenger av hvilken spenning motoren mottar under kjøring. Kapasiteten til batterier avtar etter hvert som de blir eldre, og dermed også ytelsen til thrusteren. Ved å installere nye batterier vil thrusteren yte maksimalt igjen.
- Kun en kontroll skal brukes av gangen, hvis to kontroller brukes motsatt vei vil thrusteren stoppe automatisk. Hvis to paneler opereres samme vei vil ikke dette skje.
- Hvis thrusteren ikke fungerer tilfredsstillende må feilen lokaliseres og rettes så snart som mulig, for at ikke thrusteren skal ta ytterligere skade, skru av hovedstrømsbryteren hvis feilen er av elektrisk art.

F Précautions d'utilisation importantes

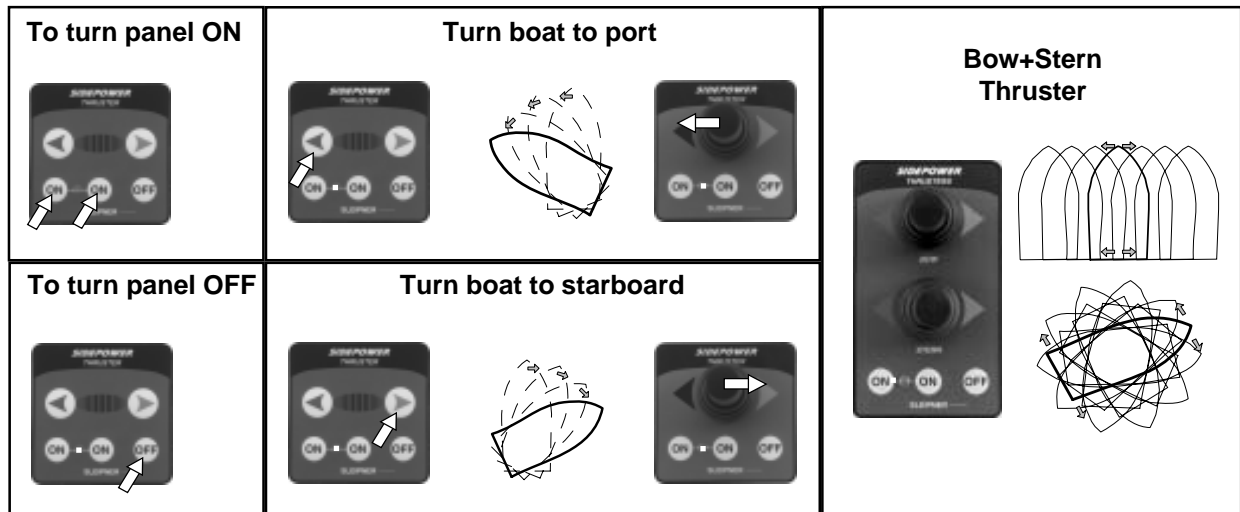
- S'assurer de bien savoir où se trouve le coupe-batterie principal qui isole le propulseur des sources de puissance (batteries) de façon à pouvoir couper le propulseur en cas de dysfonctionnement.
- Toujours stopper le coupe-batterie principal avant de toucher aux pièces du propulseur, quelles qu'elles soient, étant donné qu'un démarrage accidentel peut causer de graves blessures.
- Toujours couper le panneau de commande lorsque le propulseur n'est pas utilisé.
- Le temps maximum d'utilisation en continu d'un propulseur électrique est approximativement de 3 mn. Le moteur électrique est équipé d'une sécurité thermique qui va couper le moteur s'il est en surchauffe et le remettre en service lorsqu'il aura un peu refroidi. Cela doit être pris en considération lors de la manœuvre.
- Cela signifie également que le propulseur va gérer son temps total de fonctionnement par périodes et qu'il ne faudra donc pas compter sur le propulseur pour tenir le cap dans les courants et les vents latéraux pendant trop longtemps. En fonction des températures environnantes, etc., le propulseur sera capable de fonctionner approximativement 10% du temps.
- Ne jamais utiliser le propulseur à proximité d'une personne à l'eau étant donné qu'il peut projeter des objets et que les hélices en mouvement peuvent également provoquer des blessures graves.
- Ne jamais faire fonctionner un propulseur pendant plus d'une seconde lorsque le bateau n'est pas à l'eau car cela endommagerait sérieusement le moteur.
- Si le propulseur ne donne plus de poussée alors que le moteur est en marche, il est possible qu'il y ait un problème au niveau du système d'entraînement. Il faut alors immédiatement arrêter d'essayer de le mettre en route et le couper car faire tourner le moteur pendant plus de quelques secondes sans résistance au niveau de l'hélice pourrait très sérieusement l'endommager.
- Lorsque personne n'est à bord du bateau, toujours isoler le propulseur à l'aide du coupe-batterie.
- Nous recommandons de toujours laisser tourner le moteur principal pendant l'utilisation du propulseur. Cela permettra de garder les batteries bien chargées. Cela optimisera également les performances car une très bonne tension au niveau du propulseur conduit à un meilleur couple moteur.
- Merci de noter que la performance d'un propulseur dépend en grande partie de la tension disponible au niveau du moteur. Cette tension va diminuer avec le temps car des batteries anciennes ont une capacité réduite. En installant de nouvelles batteries, l'efficacité du propulseur redeviendra normale.
- N'utiliser qu'un seul panneau de commande à la fois ; si deux panneaux fonctionnent en même temps dans des directions opposées, le propulseur ne fonctionnera plus. Si les panneaux fonctionnent dans la même direction, le propulseur fonctionnera dans cette même direction.
- Si le propulseur n'est plus aussi performant ou s'il ne fonctionne plus aussi bien qu'à l'habitude, la cause doit en être trouvée et rectifiée dès que possible de façon à éviter de causer d'autres ou de plus gros problèmes à l'équipement. Ouvrir également le coupe-batterie principal immédiatement en cas de problème d'origine électrique.

I Importanti precauzioni che l'utente deve adottare

- Accertarsi di conoscere la posizione dell'interruttore generale della batteria che consente di scollegare il propulsore da tutte le alimentazioni elettriche (batterie), in modo che sia possibile disattivare il propulsore in caso di malfunzionamento.
- Disinserire sempre l'interruttore generale prima di toccare qualsiasi parte del propulsore, in quanto l'avviamento involontario mentre si toccano delle parti in movimento può provocare gravi lesioni.
- Disinserire sempre il dispositivo di controllo quando il propulsore non viene utilizzato.
- Il tempo massimo di utilizzo continuativo del propulsore elettrico è di circa 3 minuti. Il motore elettrico è dotato di un termico di protezione incorporato, che disattiva il motore stesso in caso di surriscaldamento e lo fa ripartire quando si è raffreddato. Di ciò occorre tenere conto quando si pianificano le manovre da effettuare.
- Ciò significa anche che il tempo totale di funzionamento del propulsore è limitato, per cui non si può fare affidamento sul propulsore per lunghi periodi di tempo quando, per esempio, si deve manovrare in presenza di corrente e vento al traverso. Tale tempo, che varierà a seconda delle temperature in gioco ecc., sarà circa pari al 10 % del tempo totale.
- Non utilizzare mai il propulsore quando c'è una persona vicina in acqua, in quanto il propulsore aspira gli oggetti nel tunnel e il contatto con le eliche ruotanti provoca gravi ferite.
- Non azionare mai il propulsore per più di un secondo quando l'imbarcazione è tirata a secco, perché ciò può danneggiare gravemente il motore elettrico.
- Se il propulsore cessa di fornire la spinta mentre il motore elettrico gira, è probabile che vi sia un problema nel sistema di trasmissione. In tal caso occorre immediatamente desistere dal tentativo e disattivarlo, perché se il motore elettrico gira per più di qualche secondo senza la resistenza prodotta dall'elica, esso può subire gravi danni.
- Quando si scende a terra, ricordarsi di portare su OFF l'interruttore generale del propulsore.
- Si suggerisce di tenere sempre in moto il motore principale (o i motori principali) quando si utilizza il propulsore. In tal modo verrà preservato il buono stato di carica delle batterie. Inoltre le prestazioni del propulsore saranno migliori, perché una tensione più alta fornita al propulsore si traduce in una coppia (potenza) maggiore al livello del motore elettrico.
- Si noti che le prestazioni del propulsore dipendono molto dalla tensione disponibile al motore elettrico. Tale tensione diminuisce col passare del tempo, perché le batterie invecchiando subiscono una riduzione del loro capacità. Installando nuove batterie, il propulsore dovrebbe recuperare le prestazioni originarie.
- Accertarsi che venga utilizzato solo un comando per volta; se due quadri di comando vengono azionati simultaneamente in direzione opposta, il propulsore non verrà azionato. Se vengono azionati simultaneamente nella stessa direzione, il propulsore girerà in questa direzione.
- Se le prestazioni o il funzionamento del propulsore sono diverse dal solito, occorre individuare la causa di ciò e porvi rimedio, non appena possibile, per evitare di provocare altri danni agli apparati. Occorre inoltre portare immediatamente su OFF l'interruttore generale delle batterie, perché il problema potrebbe essere di origine elettrica.

FI Tärkeitä käyttäjän varotoimenpiteitä

- Varmista, että tiedät päävirtakatkaisijan sijainnin, jotta voit kytkeä sen pois kaikista virtalähteistä vahingon sattuessa.
- Sammuta aina päävirtakatkaisija ennen kuin kosket mihinkään osaan keulapotkurissa, käynnistys vahingossa jos kädet ovat liikkuvissa osissa voi aiheuttaa vakavia vammoja.
- Sammuta aina käyttöyksikkö, kun laite ei ole käytössä.
- Sähkökeulapotkurin suurin jatkuva käyttö on noin 3 minuuttia. Sähkömoottorissa on sisäänrakennettu lämpörele, joka sammuttaa sen jos se ylikuumentuu liikaa ja käynnistää tämän uudelleen kun se on jäähtynyt. Tämä pitäisi ottaa huomioon laitetta käytettäessä.
- Tämä tarkoittaa myös sitä, että keulapotkuri ajallisesti rajoittaa käyntiaikaansa, joten ei voida luottaa siihen, että keulapotkuri pitää veneen virtauksissa ja sivutuulella pitkään paikallaan. Mm ympäröivästä lämpötilasta riippuen keulapotkuri pystyy käymään noin 10% ajasta.
- Älä koskaan käytä keulapotkuria jonkun ollessa lähellä vedessä, sillä keulapotkuri vetää lähetyillä olevat kohteet tunneliin ja kosketus pyörivän potkurin kanssa aiheuttaa suuria vammoja.
- Älä koskaan käytä keulapotkuria sekuntia kauemmin, jollei se ole vedessä, sillä tämä voi aiheuttaa suuria vahinkoja sähkömoottorille.
- Jos keulapotkurin työntövoima loppuu vaikka sähkömoottori pyörii, on mahdollista että vetojärjestelmässä on ongelmia. Tässä tapauksessa täytyy heti keskeyttää sen käyttö ja sammuttaa keulapotkuri, sillä sähkömoottorin käyttö ilman potkurin vastusta voi vaurioittaa sähkömoottoria.
- Veneestä poistuessa, sammuta aina keulapotkurin päävirtakatkaisija.
- Suosittelemme, että pääkonetta käytetään aina samalla kun keulapotkuria. Tämä pitää akkujen varauksen hyvässä kunnossa. Se antaa myös paremman suorituskyvyn keulapotkurille, koska korkeampi jännite johtaa parempaan voimaan moottorissa.
- Pane merkille, että keulapotkurin suorituskyky riippu paljon sähkömoottorin saamasta virrasta. Tämä jännite putoaa ajan mittaan sillä vanhenevien akkujen suorituskyky laskee. Asentamalla uudet akut pitäisi keulapotkurin suorituskyvyn palautua ennalleen.
- Varmista, että ainoastaan yhtä käyttöpaneelia käytetään kerralla. Jos kahta paneelia käytetään yhtä aikaa eri suuntiin, keulapotkuri ei toimi ollenkaan. Jos kahta käyttöpaneelia käytetään samaan suuntaan keulapotkuri pyörii tähän suuntaan.
- Jos keulapotkuri ei toimi kuten normaalisti, täytyy syy tähän selvittää heti ja korjata niin pian kuin mahdollista, jotta estetään muiden vaurioiden syntyminen laitteelle. Sinun täytyy myös heti sammuttaa päävirtakatkaisija, jos vika on sähköön liittyvää.



GB How to use Sidepower thrusters

How to use a bowthruster

1. Turn main power switch for the bowthruster on. (Always turn off the main power switch when not onboard.)
2. Please take some time to exercise thruster usage in open water to avoid damages to your boat.
3. Turn the control panel on by pushing both "ON" buttons on the original Sidepower panel simultaneously. If another type of control is installed, engage the On/Off switch for the bowthruster.
4. Turn the bow in the desired direction by pushing the red button for port movement or the green button for starboard movement. If you have a joystick control, move it in the direction you wish the bow to move. Other controls like footswitches or toggle-switches on the throttle can be used. These are normally logically installed, so by engaging the port control, the bow goes port etc. In case of any doubts, try in open waters first.
5. Depending on the sideways speed of the bow, you must disengage the control device shortly before the bow is in the desired direction, as the boat will continue to move after stopping the bowthruster.

How to use a single stern thruster

Some boats might however have installed a single stern thruster because of space limitation in the bow. In this case the stern thruster is used in the same way as a single bow thruster (see above) for moving the boat's stern.

How to use a bow and stern thruster combined

The combination of a bow and stern thruster offers total manoeuvrability to the boat and the opportunity to move the bow and the stern separately from each other. This enables you to move the boat sideways in both directions and to turn the boat around its own axis staying at the same place.

- Again, if in doubt, try in open water first!

D Benutzung von Sidepower Thrustern

Benutzung einer Bugschraube

1. Die Bugschraube über deren Hauptschalter einschalten. Den Hauptschalter immer ausschalten, wenn niemand an Bord ist.
2. Nehmen Sie sich etwas Zeit, um sich auf offenem Gewässer mit der Steuerung der Bugschraube vertraut zu machen.
3. Original Sidepower Panels durch gleichzeitiges Drücken der "ON" Knöpfe einschalten. Falls eine anderes Panel verwendet wird, den On/Off Schalter für die Bugschraube einschalten.
4. Den Bug in die gewünschte Richtung bewegen; rot / Backbord Knopf für Richtung Backbord, grün / Steuerbord Knopf für Richtung Steuerbord. Bei Verwendung eines Joystick Panels, dieses in die gewünschte Richtung bewegen. Kontrollpanels wie Fuß- und Kippschalter können ebenfalls verwendet werden. Diese sind normalerweise logisch installiert, d.h. der Bug folgt der entsprechenden Panelvorgabe. Bei Unklarheit, zunächst auf offenem Gewässer ausprobieren.
5. Abhängig von der Geschwindigkeit, mit der sich der Bug seitwärts bewegt, muß die Steuerung bereits vor Erreichen des Endpunktes aufhören, da sich der Bug noch etwas in die entsprechende Richtung "nachbewegt".

Benutzung einer Heckschraube

Einige Schiffe haben aufgrund von Platzmangel im Bug stattdessen eine Heckschraube installiert. In diesem Fall ist die Heckschraube wie eine Bugschraube (siehe oben) zu verwenden, um das Heck zu bewegen.

Gemeinsame Benutzung von Bug- und Heckschraube

Die Kombination von Bug- und Heckschraube bietet die unabhängige Manövrierbarkeit von Bug und Heck. Dies eröffnet die Möglichkeit, das Boot seitwärts in beiden Richtungen oder auf der Stelle um die eigene Achse zu bewegen.

- Bei Unklarheit, zunächst auf offenem Gewässer ausprobieren.

N Hvordan bruke Sidepower thruster

Hvordan bruke en baugthruster

1. Skru på hovedstrømmen (skru alltid av hovedstrømmen når du ikke er om bord i båten).
2. Det er fordel om de prøver baugthrusteren på åpent vann den første gangen.
3. Skru på kontrollpanelet ved å trykke inn begge "on" knappene på Sidepower panelet. Hvis annet en originalt panel brukes må dette skruses på.
4. Snu baugen i ønsket retning ved å trykke rød knapp for babord, og grønn knapp for styrbord. Hvis du har joystickpanel så må stikka dyttes i den retning baugen skal vendes. Andre kontrollenheter som fotbrytere, eller brytere på gass hendel kan også brukes. Disse er vanligvis logisk installert og lette og operere. Ved tvil lønner det seg og prøve på åpent vann først.
5. Avhengig av hvor stor fart baugen får sideveis må thrusteren stoppes før baugen er i riktig posisjon, dette fordi baugen vil fortsette sideveis litt etter thrusteren skruses av.

Hvordan bruke en enkel hekkthruster

Enkelte båter vil av plassmessige, eller andre hensyn bare installere en hekkthruster. I disse tilfeller brukes hekkthrusteren på samme måte som baugthrusteren.

Hvordan bruke hekk og baugthruster kombinert

Kombinasjonen av baug og hekkthruster gir en total kontroll over båtens bevegelser p.g.a. muligheten til å bevege hakken og baugen uavhengig av hverandre. Båten kan skyves sidelengs og dreies rundt sin egen akse.

- Det er også her fordel å prøve ut systemet på åpent vann.

F Comment utiliser les propulseurs Sidepower

Propulseur d'étrave

1. Mettre sous tension le propulseur à l'aide du coupe-batterie (toujours ouvrir le coupe-batterie principal lorsque personne n'est à bord).
2. Prendre le temps de s'exercer en pleine mer pour éviter d'endommager le bateau.
3. Mettre sous tension en appuyant simultanément sur les 2 touches «ON» du panneau de commande Sidepower. Si un autre modèle de panneau est installé, enclencher le bouton ON/OFF pour le propulseur d'étrave.
4. Tourner l'étrave dans la direction souhaitée en appuyant sur le bouton rouge pour un mouvement à bâbord ou sur le bouton vert pour un mouvement à tribord. S'il s'agit d'un joystick, actionner le levier dans la direction où vous voulez voir aller l'étrave. D'autres manettes, telles que les commandes à pied ou interrupteurs à bascule sur l'accélération, peuvent être utilisées. Celles-ci sont normalement installées de façon à déplacer l'étrave vers tribord lorsqu'elles sont déplacées vers la droite. En cas de doute, essayer d'abord en plein mer.
5. Selon la vitesse latérale de l'étrave, désactiver le panneau de commande rapidement avant que l'étrave soit dans la direction souhaitée car le bateau va continuer à bouger après l'arrêt du propulseur d'étrave.

Propulseur de poupe seul

Sur certains bateaux il n'est parfois possible d'installer qu'un propulseur de poupe seul en raison du manque de place dans l'étrave. Dans ce cas, le propulseur de poupe est utilisé de la même manière qu'un propulseur d'étrave seul. Voir ci-dessus pour le déplacement de la poupe du bateau.

Propulseur d'étrave combiné à un propulseur de poupe

La combinaison d'un propulseur d'étrave et d'un propulseur de poupe offre une complète manœuvrabilité du bateau car il est possible de bouger l'étrave et la poupe séparément. Cela permet de manœuvrer le bateau latéralement dans les deux directions et de faire tourner le bateau autour de son propre axe tout en restant au même endroit.

- À nouveau, en cas de doute, essayer d'abord en pleine mer.

I Come utilizzare i propulsori Sidepower

Come utilizzare un propulsore di prora

1. Portare su ON l'interruttore generale per il propulsore di prora. (Tale interruttore deve essere sempre su OFF quando non c'è nessuno a bordo.)
2. Esercitarsi a utilizzare il propulsore in acque libere, per evitare di danneggiare l'imbarcazione con manovre avventate.
3. Accendere il pannello di comando premendo contemporaneamente entrambi i pulsanti "ON" del quadro Sidepower originale. Se è installato un altro tipo di quadro di comando, azionare l'interruttore ON/OFF per il propulsore di prora.
4. Girare la prora nella direzione desiderata premendo sul pulsante rosso per il movimento a dritta, o su quello verde per il movimento a sinistra. Se si dispone di un controllo a joystick, muoverlo nella direzione nella quale si desidera muovere la prua. È possibile utilizzare altri comandi, per esempio interruttori a pedale o interruttori a leva posti sull'acceleratore. Di norma essi sono installati in modo logico, per cui azionando il comando di dritta la prora va a dritta ecc. In caso di dubbi, fare delle prove in acque libere.
5. Occorre disinserire il dispositivo di controllo un po' prima che la prora assuma la direzione desiderata (quanto prima, dipenderà dalla velocità laterale della prora), in quanto l'imbarcazione continuerà a muoversi anche dopo aver arrestato il propulsore di prora.

Come utilizzare un singolo propulsore di poppa

A causa di limiti di spazio nella prora, in alcune imbarcazioni si installerà un singolo propulsore di poppa. In questo caso, tale propulsore viene utilizzato nello stesso modo in cui si utilizzerebbe un singolo propulsore di prora (vedere sopra) per muovere la poppa dell'imbarcazione.

Come utilizzare un propulsore di prora e un propulsore di poppa combinati

La combinazione di un propulsore di prora e un propulsore di poppa offre la massima manovrabilità dell'imbarcazione e dà la possibilità di muovere la prora e la poppa indipendentemente l'una dall'altra. Ciò consente di muovere l'imbarcazione lateralmente in entrambe le direzioni e di far girare l'imbarcazione attorno al proprio asse, rimanendo nella medesima posizione.

- Anche in questo caso è opportuno, in caso di dubbi, fare delle prove in acque libere!

FI Miten Sidepoweria käytetään

Miten keulapotkuria käytetään

1. Käännä keulapotkurin päävirtakatkaisija päälle. (Sammuta aina päävirtakatkaisija kun et ole veneessä)
2. Harjoittele keulapotkurin käyttöä avoimilla vesillä välttääksesi vaurioiden syntymistä veneellesi.
3. Käynnistä käyttöpaneeli painamalla molemmat «ON» napit alkuperäisessä Sidepower-paneelissa yhtäaikaan. Jos toisintyylinen käyttöyksikkö on asennettu, käynnistä On/Off kytkin keulapotkurille.
4. Ohjaa keulaa haluttuun suuntaan painamalla punaista nappia styyrpuuriin ja vihreätä nappia paapuuriin. Jos sinulla on joystick-paneeli, käännä se suuntaan johon haluat keulan kääntyvän. Muita käytönappeja kuten jalkakytкимиä tai painonappeja kaasuhallintalaitteessa voidaan myös käyttää. Nämä ovat yleensä loogisesti asennettu, joten käyttämällä styyrpuurin kontrollia, keula kääntyy styyrpuuriin jne. Mikäli on pienintäkin epäilystä, kokeile aina ensin avoimilla vesillä.
5. Riippuen keulan sivuttaisnopeudesta, sinun täytyy sammuttaa keulapotkuri hiukan ennen kuin keula on halutussa suunnassa, sillä vene jatkaa liikkumista hiukan keulapotkurin sammuttua.

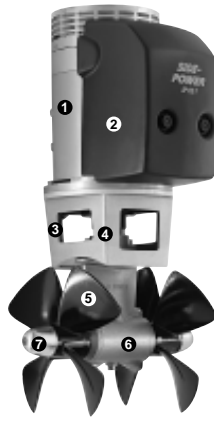
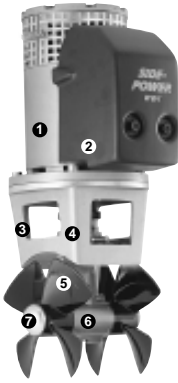
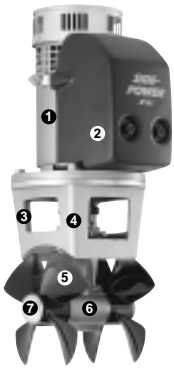
Miten käyttää peräpotkuria

Joissakin veneissä saattaa olla ainoastaan peräpotkuri keulan tilanpuutteen takia. Tässä tapauksessa peräpotkuria käytetään kuten keulapotkuria (katso yllä) siirtämällä veneen perää sivuttaissuunnassa.

Miten käyttää keula- ja peräpotkuri yhdistettynä

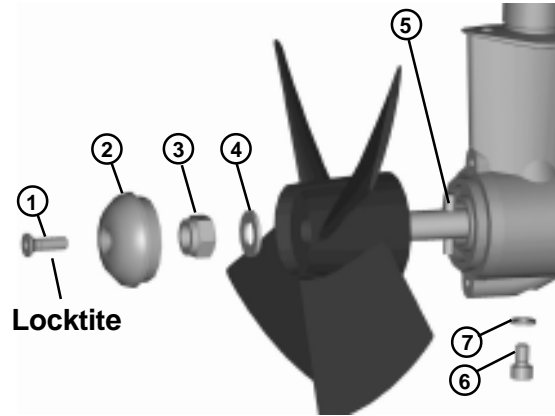
Yhdistelmä keula- ja peräpotkuri tarjoaa täydellisen hallinnan ja mahdollisuuden siirtää keulaa ja perää toisistaan riippumatta. Tämä sallii sinun ajavan venettä sivuttain molempiin suuntiin sekä pyöräyttää venettä oman akselin ympäri.

- Taas, jos pienintäkään epäilystä, kokeile ensin avoimilla vesillä!

SP75Ti**SP95Ti****SP125Ti**

- ❶ Electromotor
- ❷ Directional solenoids
- ❸ Motorbracket for holding motor and gearhouse together on the tunnel.
- ❹ Breakpin or flexible coupling secures the electromotor if propeller is jammed. Changeable from inside the boat.
- ❺ Glassfibre reinforced lexan propeller for ultimate performance.
- ❻ Oil-filled gearhouse.
- ❼ Changeable zincanode protects gearhouse from corrosion in seawater.

- ❶ Fastening screw for zincanode
- ❷ Zincanode
- ❸ Propeller lock nut
- ❹ Washer
- ❺ Drivepin for propeller
- ❻ Oil drain screw
- ❼ Copper washer/seal for oil drain screw



Maintenance

- » There must always be oil in the oil reservoir. Refill if necessary with gear oil EP90.
- » Change the gear oil a minimum of every second year. Check the gear oil quality in the gearhouse every time the boat is out of the water.
- » Retighten the bolts holding the gearhouse to the motor bracket during the first on-land service with the specified bolt tightening force (see page 26).
- » Keep the propeller and gearhouse clean from growth by painting with antifouling before every season.
PS! The zinc anode, sealing and propeller shafts must absolutely not be painted. Be careful that you don't fill paint in the "tracks" in the gearhouse that the propeller hub moves in.
- » Change the zinc anode before every season, or when about half the anode is gone. Always use a sealant on the screw holding the zincanode to ensure that it does not fall off. Please observe that in some waterconditions it can be necessary to install an extra zincanode to ensure that it lasts for the whole period between regular service lifts of the boat. Consult your dealer for information on how to do this.
- » As a part of the seasonal service of your boat, and before every season, always check that:
 - The propeller is securely fastened
 - The bolts holding the electric motor to the motor bracket are fastened correctly.
 - The area where the thruster is installed is clean and dry. If there are signs of water you must try to find the source and eliminate it.
 - All electrical connections are clean and fastened firmly.
 - Make sure that your batteries are in a good condition so that the thruster gets a good voltage. Old or bad batteries will give a reduced performance from the thruster.



Wartung

- » Im Vorratsbehälter muß immer Öl vorhanden sein. Falls nötig mit Getriebeöl EP90 nachfüllen.
- » Das Getriebeöl mindestens alle zwei Jahre wechseln. Die Qualität des Getriebeöls immer überprüfen, wenn das Boot auf Land liegt.
- » Die Bolzen, die das Getriebegehäuse mit der Motorhalterung verbinden, beim ersten Service an Land mit dem angegebenen Anzugsmoment (s. Seite 26) entsprechen nachziehen.
- » Vor jeder Saison auf Propeller und Getriebegehäuse Antifouling aufbringen.
PS ! Zinkanode, Dichtungen und Propellerachse frei von Antifouling halten. Die Aussparungen im Getriebegehäuse nicht mit Anti-Fouling "füllen", da hier die Propellernabe läuft.
- » Die Zinkanode vor jeder Saison oder wenn diese zur Hälfte abgenutzt ist ersetzen. Zur Sicherung der Befestigungsschraube der Zinkanode immer Loctite o.ä. verwenden. Bitte beachten Sie, daß unter bestimmten Milieubedingungen eine zusätzliche Zinkanode nötig sein kann, damit der Korrosionsschutz gewährleistet ist, solange sich das Boot im Wasser befindet. Hierzu kann Ihnen Ihr Händler nähere Informationen geben.
- » Bei jedem Service und vor jeder Saison sollte folgendes überprüft werden:
 - Der Propeller ist sicher befestigt.
 - Die Bolzen, die den Motor auf der Motorhalterung befestigen sind korrekt angezogen.
 - Die Umgebung des Thrusters ist sauber und trocken. Bei Wassereintrich, muß der Grund dafür beseitigt werden.
 - Alle elektrischen Verbindungen sind sauber und fest.
 - Sicherstellen, daß am Thruster ausreichend Spannung anliegt. Alte oder mangelhafte Batterien reduzieren die Leistung und sollten ausgetauscht werden.

- » Det må alltid være olje i oljebeholderen, etterfyll med girolje type EP90 hvis nødvendig.
- » Skift olje minst annenhvert år. Sjekk giroljekvaliteten i girhuset hver gang båten er på land.
- » Etterstram boltene som holder girhuset sammen med braketten ved første på-land servicen med oppgitt moment (s. 26).
- » Hold propellen og girhuset fritt for algevekst ved å påføre bunnstoff før hver sesong.
PS ! Sinkanoder, tetninger og propellaksel skal ikke påføres bunnstoff, pass på så det ikke kommer bunnstoff i gjengesporene til propellmutteren.
- » Skift sinkanode før hver sesong, eller når ca. halvparten av sinkanoden har tæret bort. Bruk Locktite eller lignende på skruen til sinkanoden for at den ikke skal falle av. Ta i betraktning at under noen vannforhold er det nødvendig å montere en ekstra sinkanode for å være sikker på at de skal vare i hele perioden mellom vedlikehold. Ta kontakt med din forhandler for informasjon om hvordan å gjøre dette.
- » Som en del av det periodiske vedlikeholdet av din båt, og før hver sesong må følgende ting sjekkes:
 - Propellen sitter godt festet.
 - Boltene som holder elektromotoren til braketten sitter.
 - Skottet der baugpropellen er montert skal være rent, og tørt. Hvis det er vann i skottet må lekkasjen finnes og tettes.
 - Alle elektriske tilkoblingspunkter er rene, og godt festet.
 - Pass på at Deres batterier er i god stand så det kan gi høy spenning til thrusteren. Redusert spenning vil gi redusert effekt på thrusteren.

- » Dev'essere sempre presente dell'olio nel serbatoio dell'olio. Se necessario, rabboccare con olio per ingranaggi Motorex EP90.
- » Sostituire l'olio almeno ogni due anni. Controllare la qualità dell'olio per ingranaggi nel piede ogni volta che l'imbarcazione è tirata a secco.
- » Durante la prima manutenzione a terra, serrare i bulloni che fissano il piede alla staffa del motore con la coppia specificata per i bulloni (v. alle pagg. 26).
- » Tenere l'elica e il piede puliti, verniciando con antivegetativa prima di ogni stagione.
N.B.: non bisogna assolutamente verniciare l'anodo di zinco, il sigillante e gli alberi dell'elica. Fare attenzione a non far penetrare la vernice nelle "piste" del piede nelle quali si muove il mozzo dell'elica.
- » Sostituire l'anodo di zinco prima di ogni stagione, o quando si è consumato per circa la metà. Utilizzare sempre un sigillante sulla vite di fissaggio dell'anodo di zinco per fare in modo che non cada. Tenere presente che in alcune condizioni marittime può essere necessario installare un secondo anodo di zinco per avere la certezza che duri per l'intero periodo compreso tra due manutenzioni a terra dell'imbarcazione. Consultare il proprio rivenditore per informarsi su come eseguire quest'operazione.
- » Durante la manutenzione stagionale dell'imbarcazione, e prima di ogni stagione, controllare sempre che:
 - l'elica sia ben fissata;
 - i bulloni di fissaggio del motore elettrico alla staffa del motore siano ben stretti;
 - la zona in cui è installato il propulsore sia pulita e asciutta (se vi sono segni di acqua, occorre individuare la fonte per eliminarla);
 - tutti i collegamenti elettrici siano puliti e fissati saldamente;
 - Accertarsi che le batterie siano in buone condizioni, in modo che il propulsore riceva una tensione adeguata. Le batterie vecchie o difettose provocano un calo delle prestazioni del propulsore.

- » Il doit toujours y avoir de l'huile dans le réservoir à huile. Reremplir si nécessaire avec de l'huile type EP90.
- » Changer l'huile tous les deux ans minimum. Vérifier la qualité de l'huile dans l'embase à chaque fois que le bateau est au sec.
- » Lors de la première visite d'entretien, au sec, resserrer les vis maintenant l'embase au support moteur conformément aux indications données page 26.
- » Entretenir l'hélice et l'embase en les peignant avec de l'antifouling avant chaque saison pour éviter la prolifération de l'environnement marin.
PS : l'anode zinc, le système d'étanchéité et l'arbre d'hélice ne doivent ABSOLUMENT pas être peints. Attention à ne pas peindre entre l'hélice et l'embase au risque d'endommager le joint spi et le moyeu d'hélice.
- » Changer l'anode zinc avant chaque saison ou lorsqu'elle est usée de moitié. Toujours monter la vis de fixation de l'anode au frein filet pour s'assurer qu'elle ne tombe pas. Dans certaines eaux, il peut être nécessaire d'installer une anode supplémentaire pour être certain que la protection dure entre deux visites d'entretien. Consulter votre revendeur pour avoir des informations sur la procédure à suivre.
- » Dans le cadre de l'entretien saisonnier du bateau, et avant chaque saison, toujours vérifier les points suivants :
 - L'hélice est correctement fixée.
 - Les boulons fixant le moteur électrique au support moteur sont correctement vissés.
 - La zone où est installé le propulseur est propre et sèche. En présence d'humidité, il faut essayer de trouver la source et l'éliminer.
 - Toutes les connexions électriques sont propres et sûres.
 - S'assurer que les batteries sont chargées de façon à ce que le propulseur reçoive la bonne tension. Des batteries anciennes ou de mauvaise qualité réduiraient les performances du propulseur.

- » Öljysäiliössä on kaiken aikaa oltava öljyä. Jos tarpeen täytää vaihteistoöljyllä EP90.
- » Vaihda vaihteiston öljy vähintään joka toinen vuosi. Tarkista vaihteistoöljyn laatu aina kun vene on maissa.
- » Kiristä moottorilaippaan vaihteistoa kiinnittävät pultit ensimmäisen maissa pidettävän huollon yhteydessä oikeaan kiristysmomenttiin (katso sivu 26).
- » Pidä vaihteisto ja potkuri puhtaana vesikasvustosta maalamalla nämät antifouling-maalilla ennen jokaista kautta.
PS ! Sinkkiä, tiivistettä tai potkuriakselia ei missään nimessä saa maalata. Varo ettet täytä maalilla vaihteistossa olevia uria, joissa potkurin keskio liukuu.
- » Vaihda sinkkianodi ennen jokaista kautta, tai silloin kun noin puolet sinkistä on hävinnyt. Käytä aina kierrelimaa sinkin kiristysruuvissa varmistaen, ettei tämä putoa pois. Huomaa, että joissakin vesiolosuhteissa voi olla tarpeen lisätä toinen sinkkianodi, jotta se kestäisi koko kauden veneen huoltonostojen välillä. Ota yhteyttä jälleenmyyjäsi saadaksesi tietoa miten tämä tehdään.
- » Jokaisen kausihuollon yhteydessä, ja ennen jokaista kautta, tarkista aina että:
 - Potkuri on hyvin kiinnitetty
 - Pultit, jotka pitävät sähkömoottorin moottorilaipassa ovat kiristetty oikein.
 - Tila, johon keulapotkuri on asennettu, on puhdas ja kuiva. Jos siinä on merkkejä vedestä, sinun täytyy löytää sen lähde ja eliminoida se.
 - Kaikki sähkökytkennät ovat puhtaita ja hyvin kinnitetty.
 - Akkusi ovat hyvässä kunnossa, jotta keulapotkuri saa tarpeeksi jännitettä. Vanhat tai huonot akut antavat keulapotkurille huonomman suorituskyvyn.

Before seeking assistance at the help desk of your Sidepower dealer/distributor please perform these tests and make notes of all measurements to ensure that they have as much information as possible to work on.

NB! All check points and solutions must be carried out after consulting the relevant information elsewhere in this manual to understand how the system is intended to work. If you are unable to understand what to check, you must consult a professional.

Check**Solution**» **The electromotor runs, but there is no thrust.**

If the flexible coupling between the motor and driveshaft is not fitted correct inside the boat.

Check the flexible coupling/shear pin and the motor installation to ensure correct connection of the flexible coupling before re-fitting the electromotor.

Are the propellers in the tunnel fastened correctly on the prop-shaft (key/drive pin present)

Re-fasten or replace the propeller and/or key/drive pin.

With the motor removed, turn the driveshaft from inside the boat to feel if the gears are engaging and turning the prop-shaft.

In case of a failure inside the gearhouse, we advice to get a replacement gearhouse instead of attempting to repair the internal gear and bearing system.

» **The thruster does not start at all or works only in one direction.**

Check that the voltage of the electromotor is correct for your installation by their labels.

If wrong, contact your dealer or distributor to obtain parts with the correct voltage.

Check the voltage at the thruster between main minus input (A1 on motor) and main plus input point:

The no load voltage should be:
12V system = 12,7V / 24V system = 25,4 V. If below 12,3V / 24,6V your batteries are not in a good charge state or worn out and must be recharged or replaced before trying to run the thruster.

Check the voltage at the thruster while you are trying to run it. Keep main engine(s) running to have continous charge to the batteries.

If less than 8,5V at the thruster the voltage is to low for the thruster to operate correctly. In a 24V boat the thruster will operate down to approx. 12V, but the performance will be very bad. Find and correct the reason for this low voltage which will probably be one or more of these points: main battery cable sizes and connections, battery size and condition, fuse and main power switch performance.

If the main solenoids on the thruster are not even trying to engage (clicking) they are probably not getting a "run" signal from the control system. Try to run the thruster without the panel by directly connecting the red and the blue or the red and the grey wires in the controlcable contact coming from the thruster.

If the thruster runs in both directions, try the same in the connector that goes into the back of the control panel. If it also works in this position, check the contact and wires on the back of the panel and try to engage this again by pushing both ON buttons simultaneously. If the panel does not turn on (see control light), measure the voltage between the Red and the Black in the contact going into the thruster. If the voltage is good, chances are that the panel is not working.

If it works by the thruster, and not by the panel there is a bad contact or a broken lead the control cables between these two test points.

Measure that you have the correct voltage between the Red (+) and all the other colours in the contact. If you do not get a reading.

If the thruster does not run at all, or only in one direction in the above tests, check the internal wiring on the thruster motor, solenoids and electronic motor interface box to be in accordance with the wiring diagram and ensure that all connections are clean and tight.

Between main minus (A1 on motor) and the blue and the grey wire connected to the sides of the main solenoids you should have the same voltage as between the main battery cables on the thruster. If not, check that the internal wiring on the solenoid is ok and measure that there is contact through the magnetising spools of each side of the solenoid (measure between the red and blue on one side, and red and grey on the other side with an Ohm meter.). If there is no contact between these, the solenoid is broken and needs replacing.

» **The thruster has an unexpected low performance.**

Check voltage at thruster when running.

If less than 10,5 V / 21V the thruster will not perform at specified effect.

Check that all the brush-springs sits correctly on the brushes in the electromotor.

If one or more brushes are loose/has no tension from the brush-spring, the performance will be low.

Check that the propeller, gearhouse and tunnel is free from growth/barnacles etc.

If there is growth in the tunnel, this will disturb/block the waterflow and especially barnacles on the propeller will greatly reduce performance.

» **The thruster runs for approximately 0,5 seconds every 4 seconds.**

Solenoid flapping, most probable cause: low voltage.

Re-charge battery(ies), if this is not sufficient, replace battery(ies).
Check for bad cable connections, if necessary tighten/re-adjust connections.
Check cable size in accordance to manual.

» **The thruster runs for approximately 0,5 seconds every 10 seconds.**

Solenoid lock-in, auto stop of thruster, auto retry every 10 seconds.

Shut off thruster main switch, tap slightly on the solenoid to see if it will release.
Turn on thruster main switch. If solenoid is still in lock-in mode, replace solenoid.

Bitte führen Sie bevor Sie mit dem zuständigen Sidepower-Händler / Importeur Kontakt aufnehmen die folgenden Tests durch. Dabei bitte alle Messergebnisse und nützlichen Informationen notieren.
NB! Die Tests erst dann durchführen, wenn Sie die dazugehörigen Informationen in diesem Manual nachgelesen haben. Bei Unklarheiten muß ein Fachmann mit der Durchführung beauftragt werden.

Überprüfen

Problemlösung

» Der Elektromotor läuft, jedoch ist keine Schubkraft vorhanden.

Ist der Scherstift zwischen Motor und Getriebeachse gebrochen? Den Scherstift ersetzen, anschließend die Motorinstallation überprüfen bevor der Elektromotor wieder montiert wird.

Ist der Propeller korrekt auf der Propellerachse befestigt; Mitnahmestift vorhanden? Fixieren oder Ersetzen von Propeller und / oder Mitnahmestift.

Bei demontiertem Motor die Getriebeachse drehen um zu prüfen, ob das Getriebe funktioniert und sich die Propellerachse dreht. Bei fehlerhaftem Getriebe die komplette Getriebeeinheit ersetzen.

» Der Thruster läuft nicht oder nur in einer Richtung.

Die Spannung am Elektromotor überprüfen, diese muß mit dem Etikett am Motor übereinstimmen. Bei Abweichung mit dem zuständigen Händler oder Importeur Kontakt aufnehmen, um passende Teile zu erhalten.

Die anliegende Spannung am Thruster zwischen Minus (A1 am Motor) und Plus direkt am Motor überprüfen. Die Ruhespannung sollte betragen:
 12V System = 12,7V / 24V System = 25,4 V.
 Falls diese unter 12,3V / 24,6V liegt, sind die Batterien zu laden oder zu ersetzen.

Die Spannung am laufendem Thruster überprüfen. Der (Die) Antriebsmotor(en) sollte(n) in Betrieb sein, um eine kontinuierliche Ladung der Batterien zu gewährleisten. Bei weniger als 8,5V funktioniert der Thruster nicht korrekt. In einem 24V System funktioniert dieser bis ca. 12V, allerdings mit sehr schlechtem Wirkungsgrad. Die Ursache der niedrigen Spannung finden und beseitigen. Es handelt sich meist um: Querschnitt der Hauptkabel und Kontaktflächen, Batteriegrößen und -zustand, Sicherung und Hauptschalter.

Wenn die Hauptrelais am Thruster nicht anziehen (klicken), erhalten diese vermutlich kein Steuersignal. Versuchen Sie den Thruster ohne das Panel zu betreiben, indem Sie die rote und blaue oder die rote und graue Leitung am Thruster miteinander verbinden. Läuft der Thruster in beiden Richtungen, selbiges auf der Rückseite des Panels vornehmen. Falls auch hier eine Funktion erfolgt, die Verbindungen und Leitungen am Schalterblock überprüfen und anziehen und danach nochmals auf Funktion prüfen. Dabei beide ON Knöpfe gleichzeitig drücken. Schaltet sich das Panel nicht ein (siehe Kontrolllicht), so ist die Spannung zwischen roter und schwarzer Leitung am Eingang des Thrusters zu messen. Bei ausreichender Spannung liegt vermutlich ein defektes Panel vor. Bei Funktion am Thruster, nicht aber am Panel, liegt ein unzureichender Kontakt oder ein Leitungsbruch zwischen den beiden Punkten vor. Messen, ob die korrekte Spannung zwischen roter (+) und allen anderen Leitungen im Kontaktblock vorliegt.

Funktioniert der Thruster in den oben beschriebenen Tests nicht oder nur in einer Richtung, die interne Verkabelung am Thrustermotor, am Relais und der elektronischen Kontrollbox überprüfen und sicherstellen, daß diese mit dem Schaltplan übereinstimmen und alle Verbindungen sauber und fest sind. Zwischen Minus (A1 am Motor) und der blauen sowie grauen Leitung an den beiden Seiten des Hauptrelais sollte die gleiche Spannung anliegen wie am Thruster zwischen den von der Batterie kommenden Leitungen. Falls nicht, überprüfen, ob die interne Verkabelung am Relais korrekt ist und messen, ob Kontakt durch die Spulen auf den Relaisseiten besteht (mit einem Widerstandsmessgerät zwischen der roten und blauen auf der einen Seite sowie der roten und grauen Leitung auf der anderen Seite messen). Ist zwischen diesen kein Kontakt, so ist das Relais beschädigt und muß ersetzt werden.

» Der Thruster hat eine unzureichende Leistung.

Die Spannung am laufenden Thruster messen. Unter 10,5 V / 21V erreicht der Thruster die angegebene Schubkraft nicht.

Überprüfen, ob die Bürstenfedern korrekt auf den Bürsten im Elektromotor sitzen. Falls eine oder mehrere Bürsten locker sind / die Bürstenfedern keine Spannung aufweisen, ist Motorleistung deutlich reduziert.

Überprüfen ob Propeller, Getriebegehäuse und Tunnel frei von Bewuchs etc. sind. Bewuchs im Tunnel beeinträchtigt / behindert die Wasserströmung und reduziert die Leistung beträchtlich.

» Das Bugstrahlruder läuft alle 4 Sekunden für ungefähr 0,5 Sekunden.

Relais-Flattern, häufigste Ursache: Unterspannung. Batterie(n) aufladen, sofern nicht erfolgreich, Batterie(n) wechseln. Prüfen der Kabelanschlüsse, falls notwendig nachziehen oder auswechseln der Anschlüsse. Überprüfen des Kabelquerschnittes gemäß Bedienungsanleitung.

» Das Bugstrahlruder läuft alle 10 Sekunden für ungefähr 0,5 Sekunden.

Relais-Blockade, Auto-Stop der Anlage, automatischer Startversuch alle 10 Sekunden. Schalten Sie den Hauptschalter des Bugstrahlruders aus, klopfen Sie vorsichtig auf das Relais um festzustellen, ob es sich wieder löst. Schalten Sie den Hauptschalter wieder ein. Wenn das Relais sich immer noch im Blockademodus befindet, muss es ausgewechselt werden.

Før De søker hjelp hos din forhandler kan du foreta noen tester, og notere ned resultatet for at forhandleren skal ha mest mulig informasjon til rådighet.

NB ! Alle sjekkpunktene på listen må sammenlignes med informasjon gitt tidligere i manualen for å forstå hvordan systemet skal fungere. Hvis du ikke forstår sjekklisten eller de relevante opplysningene gitt i manualen så må De ta kontakt med profesjonell hjelp.

Kontroller

Løsning

» Elektromotoren går, men det er ingen skyvekraft.

Brytepinnen mellom motoren og drivakselen kan være ha blitt brutt av.

Sett i ny brytepinne og sjekk motorinstallasjonen.

Er propellen festet til propellakselen, og er drivpinne på plass.

Fest eller erstatt propellen og drivpinnen.

Med elektromotoren avmontert, kan drivakselen vris for hånd for å sjekke om gir, og lager er i orden.

I tilfelle girhuset er skadet anbefaler vi skifte girhus, fremfor å prøve å reparere innvendige gir og lagre.

» Thrusteren går bare i en retning, eller ikke i det hele tatt.

Kontroller at elektromotoren er beregnet for riktig spenning i forhold til din installasjon.

Kontakt din forhandler for å skaffe deler beregnet for riktig spenning.

Sjekk spenningen mellom positiv og negative koblingene på motoren.

Spenningen skal være 12,7 V / 25,4 V når thrusteren ikke kjøres. Hvis spenningen er under 12,3 V / 24,6 V må batteriene lades, eller skiftes ut før thrusteren kjøres.

Sjekk spenningen mellom motorens negative og positive koblinger under kjøring av thrusteren. Hold hovedmotoren i gang for å sikre kontinuerlig ladning av batteriene.

Ved 8,5 V spenning, eller lavere vil ikke motoren kunne kjøres. En 24 V thruster vil kunne kjøres med så lav spenning som 12 V, men skyvekraften vil ikke være merkbar. Finn og rett opp feilen som skaper lav spenning. Feilen vil ofte være hovedstrømkablene og koblingene, Spenningsfall over sikring eller hovedstrømsbryter, batteriets størrelse/tilstand.

Hvis hovedreleet på thrusteren ikke slår inn i det hele tatt (det skal klikke når du prøver å kjøre thrusteren), så er det et tegn på at det ikke får signal fra kontrollpanelet. Prøv da å kjøre thrusteren uten panelet ved å koble Rød og Blå, eller Rød og Grå kabel sammen på kontrolpanelkabelen som kommer fra thrusteren.

Hvis thrusteren kjører i begge retninger prøv samme framgangsmåte på koblingen som går inn bak på kontrollpanelet. Hvis thrusteren fungerer på koblingene og kontaktpunktene på kontrollpanelet sjekkes. Prøv panelet igjen ved å trykke inn begge ON knappene samtidig. Hvis panelet ikke fungerer (sjekk kontroll lyset mellom ON knappene) må spenningen mellom Rød og Svart ledning som går inn i panelet. Hvis spenningen er bra er trolig panelet defekt.

Hvis du får motoren til å kjøre ved thrusteren men ikke ved panelet så er problemet dårlig kontakt, eller ledningsbrudd.

I tilfelle thrusteren ikke går i det hele tatt, eller bare i en retning i de tidligere testene. Sjekk at koblinger gjort på elektromotoren, rele og forsinkelsesrele er i henhold til koblingskjema, og at alle kontakter sitter godt, og er rene.

Spenningen målt mellom hovedstrøms minus (A1 på motor), og blå eller grønn ledning på releet skal være lik spenningen mellom de to hoved batterikablene på thrusteren. Hvis spenningen ikke er riktig, må det kontrolleres at det er kontakt mellom de magnetiske spolene på hver side av releet (mål mellom rød og blå på motsatte sider, og rød og grå på motsatte sider, med et OHM-Meter). Hvis det ikke er kontakt mellom disse må releet skiftes ut.

» Thrusteren yter mindre en ventet.

Mål spenningen på motoren under kjøring.

Er spenningen lavere en 10,5V / 21V vil thrusteren sunke i turtall og skyvekraften senkes.

Sjekk at alle børstefjærene ligger riktig an mot børstene.

Thrusteren vil ha lav skyvekraft hvis en eller flere børster ikke får trykk fra fjærene.

Kontroller propell, girhus og tunnel, og fjern eventuell algevekst og lignende.

Algevekst i tunnelen vil redusere vannstrømmen, algevekst på propellen kan redusere ytelsen betydelig.

» Trøsteren kjører i ca. 0,5 sekunder hvert 4 sekund.

Relé "slår / klapper" – forårsakes som oftest av for lav spenning .

Batterilading er nødvendig – eventuelt bytt ut defekte batterier. Kontroller alle kabeltilkoblinger for dårlig kontakt – sørg for god kontakt. Kontroller at kabler har riktig tverrsnitt i henhold til manual.

» Trøsteren kjører i ca. 0,5 sekunder hvert 10 sekund.

Relèet er brent fast – Automatisk stopp av trøster. Forsøker reststart av trøster hvert 10 sekund for å se om feilen er rettet.

Bryt hovedstrømmen til trøster med hovedstrømsbryteren og dunk forsiktig på relé for å se om kontaktflatene slipper. Slå på hovedstrømbryter og se om feilen er fikset. Om den vedvarer må relé byttes.

Avant de faire appel à un revendeur en cas de panne du propulseur, merci d'effectuer les tests suivants et de noter les résultats de vos mesures afin de pouvoir lui fournir un maximum d'informations.

NB: tous les points de vérifications et les solutions proposées doivent être effectués après avoir consulté les informations de ce manuel, afin de comprendre le fonctionnement du matériel. Si vous ne comprenez pas ce qui est demandé, faites appel à un professionnel.

Vérification

Solution

» Le moteur fonctionne mais il n'y a pas de poussée

L'accouplement souple entre le moteur et l'arbre d'entraînement n'est pas correctement fixé à l'intérieur du bateau.

Vérifier l'installation de l'accouplement souple et du moteur et plus particulièrement la connexion de l'accouplement souple et refixer le moteur.

Les hélices, l'intérieur du tunnel sont-elles correctement fixées à l'arbre d'entraînement (avec les clavettes) ?

Resserrer ou remplacer l'hélice et/ou la clavette.

Après avoir déposé le moteur, tourner l'arbre d'entraînement de l'intérieur afin de s'assurer de la bonne rotation des pignons et de l'entraînement de l'arbre d'hélice.

En cas de défaillance à l'intérieur de l'embase, nous recommandons de la changer plutôt que de tenter de réparer le mécanisme interne et les roulements.

» Le propulseur ne démarre pas du tout ou fonctionne dans une seule direction

Vérifier que la tension du moteur corresponde à votre installation.

Si tel n'est pas le cas, se procurer des pièces à la bonne tension auprès de votre revendeur.

Vérifier la tension au moteur entre l'entrée principale négative (A1 sur moteur) et le point d'entrée principale positif.

La tension à vide devrait être: système 12V=12,7V/Système 24V=25,4V. Si elle est en dessous de 12,3V/24,6V vos batteries ne sont pas en bon état de charge ou sont complètement usées et doivent être rechargées ou remplacées avant d'essayer de mettre en route le propulseur.

Vérifier la tension au propulseur lorsque vous essayez de le démarrer. Laisser tourner les moteurs du bateau pour que les batteries soient alimentées en continu.

Si la tension au propulseur est < à 8,5V, c'est insuffisant pour qu'il fonctionne correctement. Sur un bateau équipé en 24V, le propulseur peut fonctionner si la tension chute jusqu'à environ 12V mais les performances seront très mauvaises. Identifier et corriger la cause de cette baisse de tension: section de câble batterie et branchements, capacité et état des batteries, performances des fusibles et coupe-batteries.

Si les relais de puissance du propulseur ne s'enclenchent pas (pas même un cliquetis) c'est qu'ils ne reçoivent probablement pas de signal de démarrage du panneau de commande. Essayer de démarrer le propulseur en shuntant les fils bleu et rouge ou les fils rouge et gris du connecteur provenant du propulseur.

Si le propulseur fonctionne dans les deux directions, effectuer la même opération sur le connecteur situé à l'arrière du panneau de commande. S'il fonctionne également dans cette position, vérifier le contact et les branchements à l'arrière du panneau et essayer à nouveau de l'enclencher en appuyant simultanément sur les deux boutons ON. Si le panneau ne s'allume pas (voir voyant de contrôle), mesurer la tension entre les fils rouge et noir sur le contacteur allant au propulseur. Si la tension est bonne, il est possible que le panneau soit défectueux. Si les relais fonctionnent sur le propulseur mais pas via le panneau, c'est qu'il y a un mauvais contact ou une rupture de câble de contrôle entre ces 2 points. Vérifier que la tension est bonne entre le fil rouge (+) et tous les autres fils du contact.

Si, après les tests ci-dessus, le propulseur ne fonctionne pas du tout, ou seulement dans une direction, vérifier le branchement interne sur le moteur du propulseur, les relais et le moteur du boîtier électronique conformément aux schémas de branchement et s'assurer que toutes les connexions sont propres et serrées.

La tension entre le négatif principal (A1 sur le moteur) et les fils bleu et gris branchés sur les côtés des relais principaux doit être identique à celle des câbles alimentant le propulseur. Si tel n'est pas le cas, vérifier que les branchements du relais sont corrects et mesurer la continuité des bobines de relais à l'aide d'un Ohm mètre (mesurer entre le rouge et le bleu d'un côté puis entre le rouge et le gris de l'autre côté). S'il n'y a pas de continuité, le relais est défectueux et doit être remplacé.

» Le propulseur est étonnamment peu efficace

Vérifier la tension du propulseur lorsqu'il est en marche.

Si elle est < à 10,5V/21V, le propulseur n'atteindra pas les performances attendues.

Vérifier que les ressorts de balais du moteur soient correctement positionnés.

Si un ou plusieurs balais sont trop lâches ou s'ils ne sont pas suffisamment en pression, les performances seront mauvaises.

Vérifier que l'hélice, l'embase et le tunnel sont exempts de salissures dues à l'environnement marin.

Si tel est le cas dans le tunnel, le flux de l'eau est perturbé voire bloqué. Les performances sont quant à elles considérablement réduites en cas de prolifération de coquillages.

» Le propulseur marche environ 0.5 seconde toutes les 4 secondes

Battement du relais, cause la plus probable: tension basse.

Recharger les batteries, si insuffisant, les remplacer. Vérifier le câblage, si nécessaire resserrer les connexions. Vérifier les sections de câble conformément au manuel.

» Le propulseur marche environ 0.5 seconde toutes les 10 secondes

Blocage des relais, arrêt automatique du propulseur, tentatives toutes les 10 secondes.

Couper l'alimentation du propulseur, taper légèrement sur le relais pour voir s'il se débloque. Remettre sous tension. Si le relais est toujours bloqué, le remplacer.

Prima di chiedere aiuto al vostro rivenditore / distributore Sidepower, La preghiamo di effettuare questi test, prendendo nota di tutte le misure, in modo che costoro dispongano di quante più informazioni possibili su cui lavorare.

N.B.! Controllare tutti i punti e cercare delle soluzioni dopo aver consultato questo manuale, per comprendere in che modo il sistema dovrebbe funzionare. Se non si riesce a capire che cosa si deve controllare, si consulti un professionista.

Controllo

Soluzione

» Il motore elettrico gira, ma non c'è spinta.

La spina di sicurezza tra il motore e l'albero di comando all'interno dell'imbarcazione potrebbe essere rotta

Sostituire la spina di sicurezza e controllare l'installazione del motore elettrico verificando che la spina di sicurezza sia collegata correttamente prima di procedere al rimontaggio del motore elettrico.

L'elica all'interno del tunnel è fissata correttamente sull'albero dell'elica (il perno di trasmissione è presente).

Serrare di nuovo o sostituire l'elica e/o il perno di trasmissione.

Avendo rimosso il motore, far girare l'albero di comando dall'interno dell'imbarcazione per verificare che gli ingranaggi siano innestati e che l'albero dell'elica giri.

In caso di guasto all'interno del piede, si suggerisce di sostituirla anziché tentare di riparare il sistema di ingranaggi e cuscinetti interni.

» Il thruster non viene avviato, o funziona in un'unica direzione.

Controllare che le tensioni del motore elettrico siano corrette per l'installazione, osservando le etichette.

Se il voltaggio non è corretto, contattare il proprio rivenditore o distributore per procurarsi parti con il voltaggio corretto.

Controllare la tensione in corrispondenza del propulsore tra il punto di ingresso principale - (A1 sul motore) e il punto di ingresso principale + :

Il voltaggio in assenza di carico dovrebbe essere il seguente:

Sistema a 12 V 12,7 V / Sistema a 24 V 25,4 V

Se il voltaggio è inferiore a 12,3 V / 24,6 V, vuol dire che lo stato di carica delle batterie non è adeguato e che le batterie devono essere caricate o sostituite prima di effettuare un nuovo tentativo di mettere in moto il propulsore.

Controllare la tensione in corrispondenza del propulsore mentre si cerca di farlo funzionare. Tenere in moto il motore o i motori principali dell'imbarcazione, in modo che le batterie vengano caricate continuamente.

Se la tensione è inferiore a 8,5 V in corrispondenza del propulsore, la tensione è insufficiente a consentire il funzionamento corretto del propulsore. In un'imbarcazione con impianto elettrico a 24 V, il propulsore può funzionare anche con una tensione di soli 12V circa, ma le prestazioni saranno molto mediocri. Individuare ed eliminare la causa di questa bassa tensione. Probabilmente la bassa tensione sarà dovuta a una o più delle seguenti cause: dimensioni e connessioni dei cavi principali delle batterie, dimensioni e stato delle batterie, prestazioni del fusibile e dell'interruttore generale.

Se le elettrovalvole principali situate sul propulsore non danno il minimo segno di innescarsi (non si sente il clic), probabilmente esse non ricevono il segnale di "run" dal sistema di controllo. Provare a far girare il propulsore senza il quadro comandi, collegando direttamente il filo rosso e quello azzurro, o il filo rosso e quello grigio, nel contatto del cavo di controllo che proviene dal propulsore.

Se il propulsore gira in entrambe le direzioni, ripetere l'operazione nel connettore che entra nella parte posteriore del quadro di comando. Se funziona anche in questa posizione, controllare il contatto e i fili nella parte posteriore del quadro di comando e cercare di reinnescare premendo contemporaneamente su entrambi i pulsanti ON. Se il quadro di comando non si accende (vedere la luce di controllo), misurare la tensione tra il rosso e il nero nel contatto che entra nel propulsore. Se la tensione è corretta, è probabile che il quadro non funzioni. Se funziona mediante il propulsore, e non mediante il quadro, vuol dire che c'è un cattivo contatto o un filo rotto nei cavi di controllo tra questi due punti di prova. Verificare che vi sia la d.d.p. corretta tra il rosso (+) e tutti gli altri colori del contatto.

Se nei suddetti test il propulsore non gira, o gira in un'unica direzione, controllare il cablaggio interno sul motore elettrico del propulsore; elettrovalvole e interfaccia elettronica del motore elettrico devono essere conformi allo schema di connessione; inoltre tutte le connessioni devono essere pulite e affidabili.

Se lo strumento non dà risposta, tra il "meno" principale (A1 sul motore elettrico) e il filo azzurro e grigio collegati ai lati delle elettrovalvole principali si dovrebbe avere la stessa d.d.p. che c'è tra i cavi principali della batteria sul propulsore.

In caso contrario, verificare che il cablaggio interno dell'elettrovalvola sia corretto e verificare che vi sia contatto tra le bobine magnetiche di ciascun lato dell'elettrovalvola (misurare con un ohmetro tra il rosso e l'azzurro su un lato, e tra il rosso e il grigio sull'altro lato.). Se non c'è contatto tra questi punti, vuol dire che l'elettrovalvola è rotta e dev'essere sostituita.

» Il thruster ha inaspettatamente delle prestazioni mediocri.

Controllare la tensione in corrispondenza del propulsore mentre gira.

Se la tensione è inferiore a 10,5 V / 21V, le prestazioni del propulsore non producono l'effetto specificato.

Verificare che tutte le molle delle spazzole poggino correttamente sulle spazzole nel motore elettrico.

Se una o più spazzole sono allentate / non sono messe in tensione dalla molla, le prestazioni saranno scadenti.

Verificare che l'elica, il piede e il tunnel siano prive di alghe / molluschi ecc.

Se nel tunnel vi sono delle incrostazioni, ciò disturberà o impedirà il flusso d'acqua; in particolare la crescita di molluschi sull'elica provoca una notevole riduzione delle prestazioni.

» Il thruster si mette in funzione per circa 0,5 secondi ogni 4 secondi.

Oscillazione del contatto del solenoide, causa più frequente: bassa tensione.

Ricaricare la/e batteria/e, se ciò non fosse sufficiente sostituire la/e batteria/e. Controllare eventuali cablaggi fatti male, se necessario stringere/rifare la connessione.

Verificare che la sezione dei cavi sia in accordo con le specifiche nel manuale.

» Il thruster si mette in funzione per circa 0,5 secondi ogni 10 secondi.

Incollamento del contatto solenoide, blocco automatico del thruster, rimessa in funzione automatica ogni 10 secondi.

Staccare l'interruttore principale del thruster, picchiettare sul solenoide per verificare se i contatti vengono rilasciati.

Inserire l'interruttore principale del thruster. Se il solenoide persiste in blocco sostituire il solenoide.

Ennen kun haet apua Sidepower-jälleenmyyjältäsi, käy nämä tarkistukset läpi ja kirjoita ylös tulokset, jotta heillä on niin paljon tietoja kuin mahdollista vian etsimiseen.

HUOM! Kaikki tarkistukset ja ratkaisut on käytävä läpi sen jälkeen kun vastaavat kohdat muualla tässä kirjassa on käyty läpi, jotta ymmärtää, miten laite pitäisi toimia. Mikäli jää epäselväksi mitä pitäisi tarkistaa, ota yhteyttä ammattilaiseen.

Tarkistus

Ratkaisu

» Sähkömoottori pyörii, mutta ei yhtään työntövoimaa.

Jos murtosokka moottorin ja vetoakselin välissä on katkennut

Vaihda murtosokka ja tarkista moottorin asennus varmistaaksesi muortosokan oikea asento ennen sähkömoottorin asentamista

Onko potkuri asennettu tunnelissa oikein potkuriakselille (potkurisokka paikalla)

Kiinnitä tai vaihda potkuri ja/tai potkurisokka.

Kun sähkömoottori on nostettu pois, pyöritä vetoakselia veneen sisällä, jotta tunnet, että rattaat toimivat ja pyörittävät potkuria.

Mikäli vaihteistossa on vikaa, suosittelemme "vaihtoalapään" hankkimista, sen sijaan että yritetään korjata rattaita ja laakerointia vaihteistossa.

» Keulapotkuri ei käynnisty ollenkaan tai toimii vain toiseen suuntaan.

Tarkista, että sähkömoottorin kilvessä on sama volttimäärä kuin veneessä.

Jos väärin, ota yhteyttä jälleenmyyjäsi saadaksesi osia oikealle jännitteelle.

Tarkista volttimäärä keulapotkurin päävirran miinuskaapelin (A1 moottorissa) ja päävirran plussakaapelin välistä:

Lepojännite pitäisi olla:
12V järjestelmä = 12,7V / 24V järjestelmä = 25,4 V. Jos alle 12,3V / 24,6V akku ei ole hyvässä kunnossa tai ne ovat kuluneita ja täytyy ladata tai vaihtaa uusiin ennen keulapotkurin käynnistämistä.

Tarkista keulapotkurin jännite yritettäessä käynnistää sitä. Pidä pääkone käynnissä jotta jatkuva akkujen lataus on varmistettu.

Mikäli alle 8,5V, keulapotkurissa on jännite liian matala jotta keulapotkuri toimisi oikein. 24V veneissä keulapotkuri toimii niinkin alhaisemmalla jännitteellä kuin 12V, mutta sen suorituskyky on huono. Paikallista tämän matalan jännitteen syy ja korjaa se. Syy on luultavasti yksi tai enempi seuraavista: päävirtakaapelin koko ja kunto, akkujen koko ja kunto, sulakkeen ja päävirtakatkaisijan toimivuus.

Jos keulapotkurin pääsolenoidit eivät edes yritä käynnistyä (naksahda), nämät eivät luultavasti saa käynnistys signaalia käyttöjärjestelmästä. Yritä käyttää keulapotkuria ilman käyttöpaneelia yhdistämällä punainen ja sininen tai punainen ja harmaa johto keulapotkurin käyttökaapelissa.

Jos keulapotkuri toimii molempiin suuntiin, kokeile sama myös liittimessä, joka tulee käyttöpaneelin taakse. Jos sekin toimii tässä asennossa, tarkista kytkennät ja johdot käyttöpaneeliin ja kokeile uudestaan käynnistää tämä painamalla molemmat ON-napit yhtäaikaan. Mikäli paneeli ei käynnisty (katso merkkivalo), mittaa jännite punaisen ja mustan johdon välistä keulapotkuriin menevästä liittimestä. Jos jännite on hyvä, on luultavasti käyttöpaneeli viallinen. Jos se toimii keulapotkurissa, mutta ei liittimessä käyttöpaneelin takana, on näitten kahden pisteen välissä huono liitäntä tai katkennut johto. Mittaa, että punaisen (+) ja kaikkien muiden johtojen välisissä liittimessä on oikea jännite.

Jos keulapotkuri ei toimi ollenkaan, tai ainoastaan yhteen suuntaan yllä olevan testin aikana, tarkista keulapotkurin sisäinen kytkentä, solenoidin ja sähkömoottorin kytkentä täytyy vastata kytkentäkaaviota ja kaikki liitännät täytyy olla puhtaita ja kireitä.

Päävirran miinuskaapelin (A1 moottorissa) ja solenoidin sivuun kytkettyjen sinisen ja harmaan johtojen välissä pitäisi olla sama jännite kuin keulapotkurin päävirtakaapelin välissä. Jos ei, tarkista että solenoidin sisäinen kytkentä on kunnossa ja mittaa onko magneettipuolien yli kytkentä solenoidin molemmin puolin (mittaa vastus mittarilla sinisen ja punaisen välistä yhdellä sivulla, ja punaisen ja harmaan välistä toisella sivulla.). Jollei näitten välissä ole kytkentää, solenoidi on viallinen ja täytyy vaihtaa.

» Keulapotkurissa on odottamattoman huono suorituskyky.

Tarkista jännite keulapotkurin pyöriessä

Mikäli alle 10,5 V / 21V keulapotkuri ei toimi odotetulla tavalla.

Tarkista, että jousest istuvat oikein sähkömoottorin hiilissä.

Jos yksi tai useampi hiili on irti/ei saa tarpeeksi jännitystä jousesta, on suorituskyky matalampi.

Tarkista, ettei potkurissa ole näkkiä tai vastaavaa kasvustoa.

Jos tunnelissa on kasvustoa, tämä häiritsee / tukkii vedenvirtauksen ja erityisesti näkki potkurissa vähentää suuresti suorituskykyä.

» Keulapotkuri käy noin puoli sekuntia 4:n sekunnin välein.

Solenoidi pätkii, todennäköisin syy: matala jännite

Lataa akut uudestaan, mikäli tämä ei riitä, vaihda akut. Tarkista akkuliitokset, kiristä/säädä tarpeen mukaan. Tarkista kaapelikoot ohjekirjan antamien tietojen mukaan.

» Keulapotkuri käy noin puoli sekuntia 10:n sekunnin välein.

Solenoidi on lukkiutunut, keulapotkuri sammuu automaattisesti ja yrittää käynnistyä 10:n sekunnin välein.

Sammuta keulapotkurin päävirtakatkaisija, koputa varovasti solenoidia tarkistaaksesi vapautuuko se. Käänä keulapotkurin päävirtakatkaisin päälle. Mikäli solenoidi on vielä lukittuna, vaihda solenoidi.

1. The equipment manufactured by Sleipner Motor AS (The "Warrantor") is warranted to be free from defects in workmanship and materials under normal use and service.
2. This Warranty is in effect for of two years from the date of purchase by the user. Proof of purchase must be included, to establish that it is inside the warranty period.
3. This Warranty is transferable and covers the product for the specified time period.
4. In case any part of the equipment proves to be defective, other than those parts excluded in paragraph 5 below, the owner should do the following:
 - (a) Prepare a detailed written statement of the nature and circumstances of the defect, to the best of the Owner's knowledge, including the date of purchase, the place of purchase, the name and address of the installer, and the Purchaser's name, address and telephone number;
 - (b) The Owner should return the defective part or unit along with the statement referenced in the preceding paragraph to the warrantor, Sleipner Motor AS or an authorized Service Centre, postage/shipping prepaid and at the expense of the Purchaser;
 - (c) If upon the Warrantor's or Authorized Service Centre's examination, the defect is determined to result from defective material or workmanship, the equipment will be repaired or replaced at the Warrantor's option without charge, and returned to the Purchaser at the Warrantor's expense;
 - (d) no refund of the purchase price will be granted to the Purchaser, unless the Warrantor is unable to remedy the defect after having a reasonable number of opportunities to do so. Prior to refund of the purchase price, Purchaser must submit a statement in writing from a professional boating equipment supplier that the installation instructions of the Installation and Operation Manual have been complied with and that the defect remains;
 - (e) warranty service shall be performed only by the Warrantor, or an authorized Service Centre, and any attempt to remedy the defect by anyone else shall render this warranty void.
5. There shall be no warranty for defects or damages caused by faulty installation or hook-up, abuse or misuse of the equipment including exposure to excessive heat, salt or fresh water spray, or water immersion except for equipment specifically designed as waterproof.
6. No other express warranty is hereby given and there are no warranties which extend beyond those described in section 4 above. This Warranty is expressly in lieu of any other expressed or implied warranties, including any implied warranty of merchantability, fitness for the ordinary purposes for which such goods are used, or fitness for a particular purpose, and any other obligations on the part of the Warrantor or its employees and representatives.
7. There shall be no responsibility or liability whatsoever on the part of the Warrantor or its employees and representatives for injury to any person or persons, or damage to property, loss of income or profit, or any other consequential or resulting damage or cost which may be claimed to have been incurred through the use or sale of the equipment, including any possible failure or malfunction of the equipment, or part thereof.
8. The Warrantor assumes no liability for incidental or consequential damages of any kind including damages arising from collision with other vessels or objects.
9. This warranty gives you specific legal rights, and you may also have other rights which vary from country to country.

1. Sleipner Motor AS (im folgenden "Hersteller" genannt) garantiert bei ordnungs- und sachgemäßer Benutzung des hergestellten Produkts für Material- und Fabrikationsfehler.
2. Die Garantie wird für die Dauer von zwei Jahren ab Verkaufsdatum übernommen. Die Garantieleistung setzt voraus, daß ein gültiger Kaufbeleg vorgelegt wird.
3. Die Garantie ist übertragbar.
4. Zur Inanspruchnahme von Garantieleistungen (ausschließlich der unter Abschnitt 5 aufgeführten Fehler und Beschädigungen) ist folgendes erforderlich:
 - (a) eine detaillierte Fehlerbeschreibung, einschließlich Kaufdatum, Kaufort und Anschrift von Installateur, Verkäufer und Kunde.
 - (b) der Käufer muß das beanstandete Produkt und die detaillierte Fehlerbeschreibung an den Hersteller oder einen autorisierten Servicepartner senden. Der Käufer muß hierbei die Fracht im voraus bezahlen.
 - (c) wenn die Untersuchung durch den Hersteller oder einen autorisierten Servicepartner ergibt, daß ein Material- oder Fabrikationsfehler vorliegt, wird das Produkt repariert oder nach Maßgabe des Herstellers kostenfrei ersetzt und an den Käufer auf Kosten des Herstellers gesendet.
 - (d) der Kaufpreis wird nur erstattet, wenn der Hersteller den Fehler nicht in angemessener Zeit beheben kann. Zusätzlich muß der Käufer eine schriftliche Bestätigung, ausgestellt durch einen gewerblichen Bootsaurüster, einreichen, aus der hervorgeht, daß die Anweisungen des Installations-, Service- und Benutzerhandbuches erfüllt wurden, der Fehler jedoch bestehen bleibt.
 - (e) Garantieleistungen können nur durch den Hersteller oder einen autorisierten Servicepartner durchgeführt werden. Die Garantie wird nicht gewährt, wenn Reparaturen, Adaptierungen oder Modifikationen am Produkt von Personen ohne entsprechende Befugnis vorgenommen wurden.
5. Die Garantie wird bei Fehlern oder Beschädigungen durch mangelhafte Installation, Abschleppen des Bootes, fehlerhafte Bedienung oder Benutzung einschließlich Schäden durch äußere Einflüsse (z.B. große Hitze, Einwirkung von Salz- oder Frischwasser außer wenn das Produkt/ -teil hierfür vorgesehen ist) nicht gewährt.
6. Es wird keine weitergehende Garantie als die in Abschnitt 4 beschriebene gewährt. Diese Garantie ersetzt jede andere gegebene Garantie.
7. Der Hersteller, dessen Angestellte und dessen Repräsentanten sind nicht haftbar für Verletzungen von Personen, die Beschädigung von Eigentum, Einkommens- oder Gewinnverlust, Unfallschäden oder Folgeschäden jeglicher Art, Kosten die durch den Kauf oder die Benutzung des Produkts entstehen einschließlich aller möglichen Fehler oder Fehlfunktionen, die durch das Produkt oder Teilen davon entstehen.
8. Der Hersteller ist nicht haftbar für Unfallschäden oder Folgeschäden jeglicher Art einschließlich Schäden durch Kollision mit anderen Booten oder Objekten.
9. Diese Garantie spricht bestimmte Rechte zu. Weitere Rechte können von Staat zu Staat unterschiedlich sein.

1. The equipment manufactured by Sleipner Motor AS (The "Warrantor") is warranted to be free from defects in workmanship and materials under normal use and service.
2. This Warranty is in effect for of two years from the date of purchase by the user. Proof of purchase must be included, to establish that it is inside the warranty period.
3. This Warranty is transferrable and covers the product for the specified time period.
4. In case any part of the equipment proves to be defective, other than those parts excluded in paragraph 5 below, the owner should do the following:
 - (a) prepare a detailed written statement of the nature and circumstances of the defect, to the best of the Owner's knowledge, including the date of purchase, the place of purchase, the name and address of the installer, and the Purchaser's name, address and telephone number;
 - (b) the Owner should return the defective part or unit along with the statement referenced in the preceding paragraph to the warrantor, Sleipner Motor AS or an authorized Service Centre, postage/shipping prepaid and at the expense of the Purchaser;
 - (c) if upon the Warrantor's or Authorized Service Centre's examination, the defect is determined to result from defective material or workmanship, the equipment will be repaired or replaced at the Warrantor's option without charge, and returned to the Purchaser at the Warrantor's expense;
 - (d) no refund of the purchase price will be granted to the Purchaser, unless the Warrantor is unable to remedy the defect after having a reasonable number of opportunities to do so. Prior to refund of the purchase price, Purchaser must submit a statement in writing from a professional boating equipment supplier that the installation instructions of the Installation and Operation Manual have been complied with and that the defect remains;
 - (e) warranty service shall be performed only by the Warrantor, or an authorized Service Centre, and any attempt to remedy the defect by anyone else shall render this warranty void.
5. There shall be no warranty for defects or damages caused by faulty installation or hook-up, abuse or misuse of the equipment including exposure to excessive heat, salt or fresh water spray, or water immersion except for equipment specifically designed as waterproof.
6. No other express warranty is hereby given and there are no warranties which extend beyond those described in section 4 above. This Warranty is expressly in lieu of any other expressed or implied warranties, including any implied warranty of merchantability, fitness for the ordinary purposes for which such goods are used, or fitness for a particular purpose, and any other obligations on the part of the Warrantor or its employees and representatives.
7. There shall be no responsibility or liability whatsoever on the part of the Warrantor or its employees and representatives for injury to any person or persons, or damage to property, loss of income or profit, or any other consequential or resulting damage or cost which may be claimed to have been incurred through the use or sale of the equipment, including any possible failure or malfunction of the equipment, or part thereof.
8. The Warrantor assumes no liability for incidental or consequential damages of any kind including damages arising from collision with other vessels or objects.
9. This warranty gives you specific legal rights, and you may also have other rights which vary from country to country.

- L'équipement fabriqué par Sleipner Motor AS (le «Garant») est garanti sans défaut de fabrication et sans défaut au niveau des matériaux s'il fait l'objet d'une installation et d'une utilisation normales.
- Cette garantie est valable 2 ans à compter de la date d'achat par l'installateur. Une preuve de l'achat devra être fournie pour vérifier que le matériel entre dans la période de garantie.
- Cette garantie est transmissible et couvre le produit pour la période de temps spécifiée.
- Dans le cas où la preuve serait apportée qu'une pièce est défectueuse, le propriétaire devra faire ce qui suit, excepté pour les pièces énumérées au paragraphe 5 ci-dessous :
 - Préparer un rapport écrit détaillé sur la nature et les circonstances du défaut, en fonction de ses observations, en spécifiant la date d'achat, son emplacement, les nom et adresse de l'installateur, les nom, adresse et n° de téléphone de l'acheteur ;
 - Le propriétaire devra retourner l'appareil ou la pièce défectueux(se) avec le rapport ci-dessus cité au garant, Sleipner Motor AS ou à un service-après-vente autorisé, frais de poste ou d'envoi prépayés par l'acheteur ;
 - Si après contrôle par le garant, ou le service-après-vente autorisé, le défaut résulte d'un matériau défectueux ou défaut de fabrication, l'équipement sera réparé ou remplacé puis réexpédié à l'acheteur aux frais du garant ;
 - Aucun remboursement du prix d'achat ne sera consenti à l'acheteur, excepté dans le cas où le garant ne serait pas capable de remédier au défaut après avoir tout essayé pour remettre le matériel en état. Avant de procéder à quelque remboursement que ce soit, l'acheteur doit fournir un rapport écrit de la part du fournisseur de bateaux professionnels attestant que les instructions de montage du manuel d'installation et de mise en marche ont été bien suivies et que malgré cela le défaut persiste;
 - Le service de garantie sera assuré uniquement par le garant, ou par un service-après-vente autorisé, et toute tentative, pour remédier au défaut, entreprise par qui que ce soit d'autre annulera cette garantie.
- La garantie ne s'appliquera pas pour les défauts ou dommages dus à une mauvaise installation ou environnement, à des emplois abusifs ou à une mauvaise utilisation de l'équipement incluant une exposition à une chaleur excessive, au sel ou aux immersions d'eau sauf pour les équipements spécifiquement prévus étanches.
- Aucune autre garantie express n'est accordée et aucune garantie ne s'étend au-delà de ce qui est décrit au point n° 4. La présente garantie fait foi sur toute autre garantie, même tacite, y compris toute garantie commerciale tacite, expliquant les raisons pour lesquelles telle ou telle marchandise est utilisée, ou expliquant un usage particulier et toute autre obligation de la part du garant ou de ses employés ou représentants.
- Il n'y aura aucune responsabilité, totale ou partielle, de la part du garant ou de ses employés ou représentants en cas de blessures sur une ou sur plusieurs personnes, ou en cas de dommages de propriété, de perte de revenus ou de profits, ou toute autre conséquence ou dommage en résultant ou de coût pouvant être réclamé, découlant de l'utilisation ou de la vente de l'équipement, y compris toute défaillance possible ou mauvais fonctionnement de l'équipement ou partie de celui-ci.
- Le garant n'assume aucune responsabilité en ce qui concerne des dommages accidentels ou consécutifs de toute sorte y compris des dommages survenant suite à une collision avec d'autres bateaux ou objets.
- Cette garantie vous accorde des droits légaux spécifiques et vous pouvez également avoir d'autres droits qui varieront en fonction des pays.

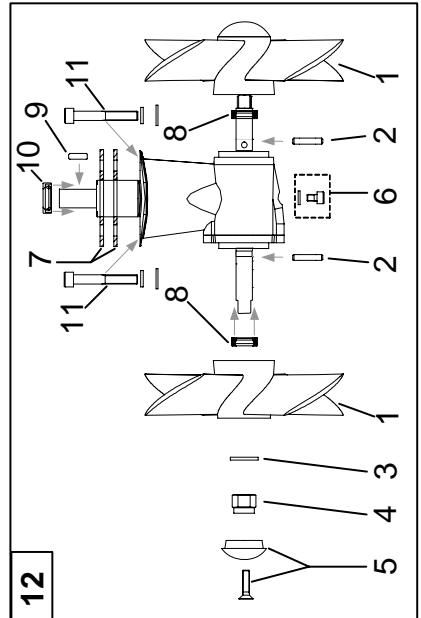
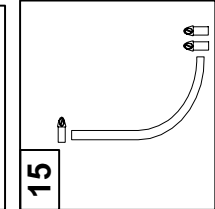
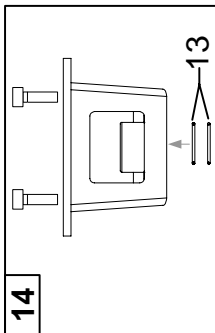
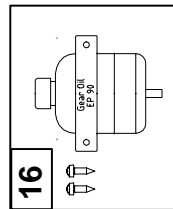
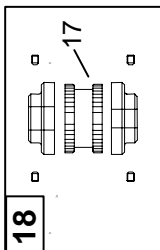
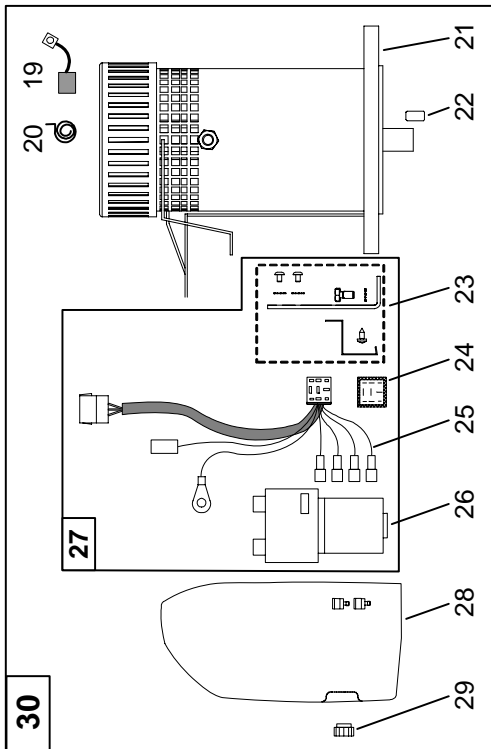
- Gli apparati fabbricati da Sleipner Motor AS (il "Garante") sono garantiti esenti da difetti di lavorazione e materiali nelle condizioni normali di utilizzo e servizio.
- Questa garanzia è valida per due anni dalla data di acquisto da parte dell'utente. Occorre fornire la prova d'acquisto, che consente di stabilire che il prodotto è ancora in garanzia.
- Questa garanzia è trasferibile e copre il prodotto per il periodo di tempo specificato.
- Nel caso che una qualsiasi parte dell'apparato si riveli difettosa, fatta eccezione per le parti escluse nel successivo paragrafo 5, il proprietario farà quanto segue:
 - preparare una descrizione scritta dettagliata del natura e delle circostanze del difetto, al meglio delle conoscenze del Proprietario, comprendente la data e il luogo d'acquisto, il nome e l'indirizzo dell'installatore, e il nome, indirizzo e numero di telefono dell'acquirente;
 - il Proprietario dovrà restituire la parte o l'unità difettosa insieme con la dichiarazione di cui al paragrafo precedente al garante, a Sleipner Motor AS, o a un centro di assistenza autorizzato, con spese postali/spese di spedizione prepagate e a carico dell'acquirente;
 - se in seguito a esame del garante o del centro di assistenza autorizzato si stabilisce che il difetto deriva da difetti di materiale o di lavorazione, l'apparato sarà riparato o sostituito, a discrezione del garante, gratuitamente, e restituito all'acquirente a spese del garante;
 - il prezzo d'acquisto non sarà rimborsato all'acquirente, a meno che il garante non sia in grado di rimediare al difetto dopo aver avuto un numero ragionevole di opportunità per far ciò. Prima del rimborso del prezzo d'acquisto, l'acquirente dovrà presentare una dichiarazione scritta di un fornitore professionale di apparati per imbarcazioni nella quale si afferma che le istruzioni relative all'installazione contenute nel Manuale d'installazione e d'uso sono state seguite fedelmente e che il difetto sussiste;
 - il servizio di garanzia sarà fornito unicamente dal garante, o da un servizio di assistenza autorizzato, e qualsiasi tentativo di rimediare al difetto compiuto da chiunque altro farà decadere questa garanzia.
- Non è prevista alcuna garanzia per difetti o danni provocati da installazione o collegamento non corretti, uso cattivo o improprio degli apparati, in particolare l'esposizione a eccessivo calore, a spruzzi di acqua di mare o acqua fresca, o l'immersione in acqua, fatta eccezione per gli apparati progettati appositamente come impermeabili.
- Non viene fornita nessun'altra garanzia esplicita e non vi sono garanzie che si estendono oltre quelle descritte nella precedente sezione 4. Questa garanzia è esplicitamente in sostituzione di qualsiasi altra garanzia esplicita o implicita, in particolare qualsiasi garanzia implicita di commerciabilità, idoneità per gli scopi ordinari per cui tali merci vengono utilizzate, o idoneità per un particolare scopo, e qualsiasi altra obbligazione da parte del garante o dei suoi dipendenti e rappresentanti.
- Il garante o i suoi dipendenti e rappresentanti non si assumono alcuna responsabilità civile o penale per infortuni subiti da qualsiasi persona, o danni a beni, perdita di introiti o utili, o qualsiasi altro danno o costo consequenziale o causato che altri possano sostenere essere stato provocato tramite l'utilizzo o la vendita dell'apparato, compreso qualsiasi possibile guasto o malfunzionamento dell'apparato o di parte di esso.
- Il garante non si assume alcuna responsabilità per danni incidentali o consequenziali di qualsiasi genere, compresi i danni derivanti da collisioni con altre imbarcazioni o altri oggetti.
- Questa garanzia conferisce all'acquirente diritti legali specifici. È possibile che l'acquirente goda anche di altri diritti, che possono variare da un paese all'altro.

- Sleipner Motor AS ("Takaaja") takaa tämän tuotteen valmistusmateriaalien ja työn virheetömyyden, jos laite on normaalkäytössä ja huollettu normaalein aikavälein.
- Tämä takuu on voimassa kaksi vuotta ostopäivästä. Ostokuitti on esitettävä, jotta osoitetaan, että en että laite on takuuajan sisällä.
- Tämä takuu on siirrettävissä (jos omistaja vaihtuu) ja kattaa tuotteen annettun ajan.
- Siinä tapauksessa, että jokin osa laitteesta on viallinen, muu kuin ne osat, jotka on listattu kappaleessa 5 alla, pitäisi omistajan menetellä seuraavasti:
 - tehdä kirjallinen lausunto vian luonteesta ja olosuhteista, omistajan parhaiden tietojen mukaan, sisältäen ostopäivämäärän, ostopaikan, asentajan nimen ja osoitteen, ostajan nimen, osoitteen ja puhelinnumeron;
 - Omistajan pitäisi palauttaa viallinen osa ja liittää kirjallinen lausunto yllä olevilla tiedoilla takaajalle, Sleipner Motor AS tai valtuutetulle huoltopisteelle, rahtikustannukset omistajan maksamina;
 - jos takaajan tai huoltopisteen tarkistuksen mukaan, vika on syntynyt valmistusmateriaalin tai työn puutteista, laite korjataan tai vaihdetaan uuteen Takaajan ehdoilla, ja palautetaan ostajalle Takaajan kustannuksella;
 - mitään takaisinmaksua ostohinnasta ei suoriteta ostajalle, paitsi jos Takaaja ei onnistu löytää vialle parannuskeinoa, vaikka sitä olisi yritetty kohtuullisen monta kertaa. Ennen ostohinnan takaisinmaksua Ostajan on esitettävä kirjallinen todistus venealan tarvikkeiden toimittaja-ammattilaiselta, että asennusohjeita Asennusohje ja Käyttäjän käsikirjasta on seurattu tarkkaan ja että vika kuitenkin jatkuu;
 - takuukorjausta saa suorittaa ainoastaan Takaaja, tai valtuutettu huoltopiste, ja kaikkien muiden yritysten korjata vikaa mitätöi tämän takuun .
- Mitään takuuta ei myönnetä vikoihin, jotka aiheutuvat vääristä asennuksesta tai kiinnityksestä, laitteen vääristä käytöstä sisältäen altistumisen liialliselle kuumuudelle, suola tai makeavesi suihkua, tai vesivahinkoja paitsi laitteissa, jotka ovat nimenomaan suunniteltu vesitiiviiksi.
- Mitään muuta takuuta ei näin ollen anneta eikä ole mitään takuuta, joka ylittää yllä olevan 4 kappaleessa mainitun. Tässä luetellut takuut ja korjaukset ovat yksinomaisia, ja ne poissulkevat kaikki aiemmin mainitut takuut mukaan lukien takuut myyntikelpoisuudesta ja sopivuudesta tiettyyn käyttötarkoitukseen.
- Takaajalla, sen työntekijöillä tai edustajilla ei ole mitään velvollisuutta tai vastuuta minkään henkilön tai henkilöiden loukkaantumiselle, tai vahingoittuneelle omaisuudelle, tuoton tai ansion menetykselle, tai mihinkään muuhun tapahtumaan, vaurioon tai kustannukseen joiska voidaan syyttää tämän laitteen käyttöä tai myyntiä, sisältäen myös mahdolliset viat tai toimintahäiriöt laitteessa, tai sen osassa.
- Takaajalla ei ole vastuuta tapaturmista tai siitä johtuvista vahingoista, sisältäen vahingot jotka ovat syntyneet toisen veneen tai kohteen kolaroimisesta.
- Tämä takuu antaa laillisia oikeuksia, jotka kuitenkin voivat vaihdella maakohtaisesti.

Original model		SP 75 Ti	
Model period		12/04 <	
Ref:		12V	24V
30.	Complete electric motor assembly	6 0101 12	6 0101 24
29.	Nut for solenoid cover	6 8810	6 8810
28.	Solenoid cover	6 2025	6 2025
27.	Complete solenoid kit	6 0131 12	6 0131 24
26.	Solenoid	41371123	41371243
25.	Internal wiring loom	6 1226B	6 1226B
24.	Electronic control box	6 1232i	6 1232i
23.	Solenoid bracket kit	6 0135	6 0135
22.	Key for electric motor shaft	10 1440	10 1440
21.	Electric motor	N/A	N/A
20.	Brush springs for electric motor (kit)	6 0170 12*	6 0170 24*
19.	Brushes for electric motor (kit)	6 0180 12*	6 0180 24*
18.	Complete flexible coupling	7 1450	7 1450
17.	Rubber element	7 1451	7 1451
16.	Oil container with holder	20 0300	20 0300
15.	Oil hose with hose clamps	20 0400	20 0400
14.	Complete motor bracket	8 0500	8 0500
13.	O-ring seals in motor bracket	7 1340	7 1340
12.	Complete gearleg	8 0600	8 0600
11.	Gearleg bolt	7 1080	7 1080
10.	Drive shaft seal	7 1350	7 1350
9.	Drive shaft key	6 1440	6 1440
8.	Propeller shaft seal	6 1350	6 1350
7.	Gasket	8 0610	8 0610
6.	Oil drain screw with gasket	6 1220	6 1220
5.	Zinc anode	7 1190	7 1190
4.	Locknut	4 1260	4 1260
3.	Propeller washer	7 1181	7 1181
2.	Propeller drive pin	6 1241	6 1241
1.	Propeller	7 1260	7 1260

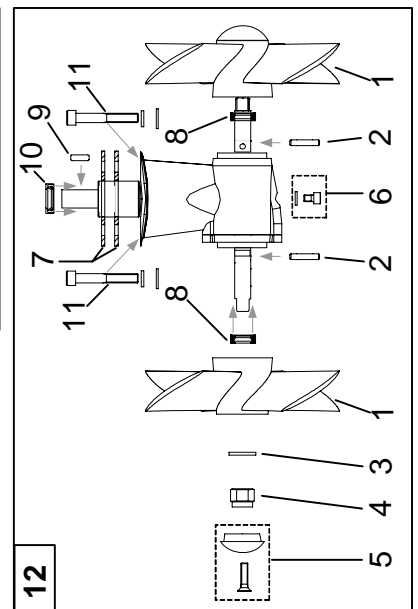
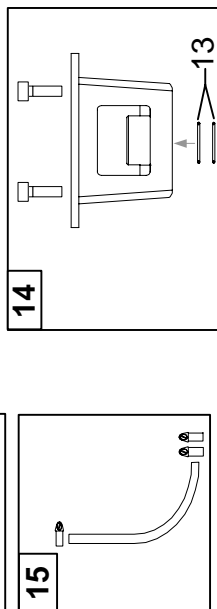
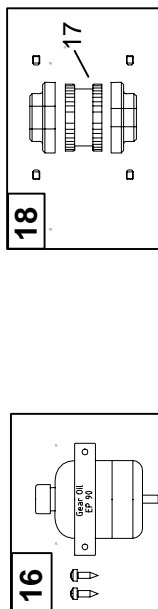
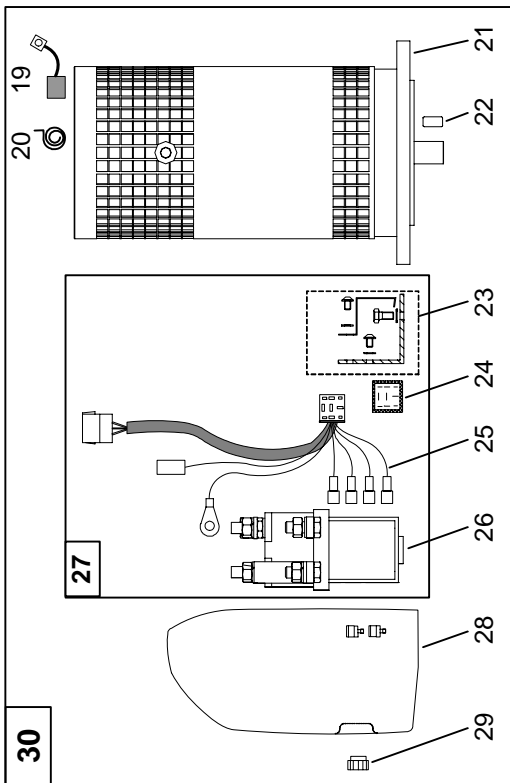
Other comments:

* Please provide thruster serial number when ordering brushes and brush springs.



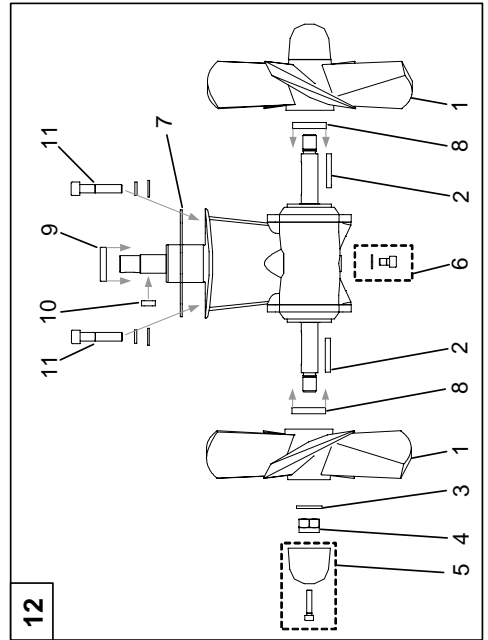
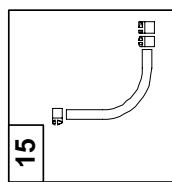
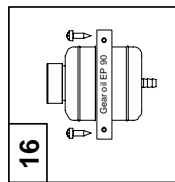
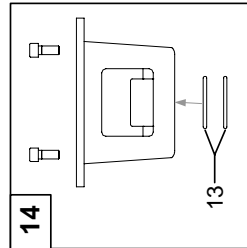
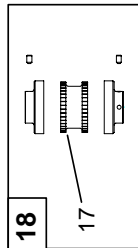
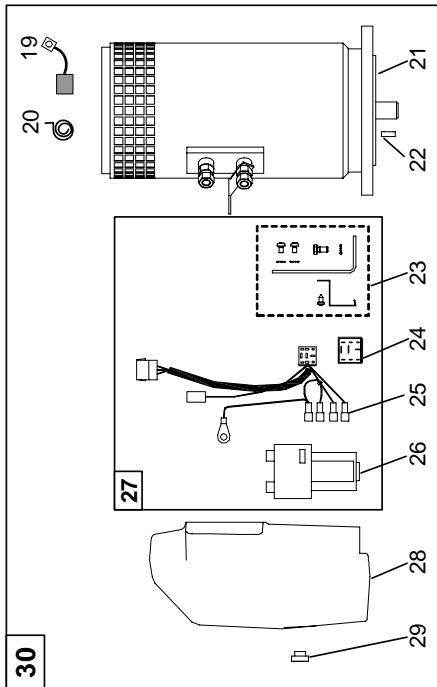
Original model		SP 95 Ti	
Model period		12/04 <	
Ref:		Part #	
		12V	24V
30.	Complete electric motor assembly	8 0101 12	8 0101 24
29.	Nut for solenoid cover	6 8810	6 8810
28.	Solenoid cover	8 2025	8 2026
27.	Complete solenoid kit	8 0131 12	10 0131 24
26.	Solenoid	1013693	41371243
25.	Internal wiring loom	15 1273B	6 1226B
24.	Electronic control box	6 1232i	6 1232i
23.	Solenoid bracket kit	9 0135 12	10 0140 24
22.	Key for electric motor shaft	10 1440	10 1440
21.	Electric motor	N/A	N/A
20.	Brush springs for electric motor (kit)	8 0170 12*	8 0170 24*
19.	Brushes for electric motor (kit)	8 0180 12*	8 0180 24*
18.	Complete flexible coupling	7 1450	7 1450
17.	Rubber element	7 1451	7 1451
16.	Oil container with holder	20 0300	20 0300
15.	Oil hose with hose clamps	20 0400	20 0400
14.	Complete motor bracket	8 0500	8 0500
13.	O-ring seals in motor bracket	7 1340	7 1340
12.	Complete gearleg	8 0600	8 0600
11.	Gearleg bolt	7 1080	7 1080
10.	Drive shaft seal	7 1350	7 1350
9.	Drive shaft key	6 1440	6 1440
8.	Propeller shaft seal	6 1350	6 1350
7.	Gasket	8 0610	8 0610
6.	Oil drain screw with gasket	6 1220	6 1220
5.	Zinc anode	7 1190	7 1190
4.	Locknut	4 1260	4 1260
3.	Propeller washer	7 1181	7 1181
2.	Propeller drive pin	6 1241	6 1241
1.	Propeller	7 1260	7 1260
Other comments:			

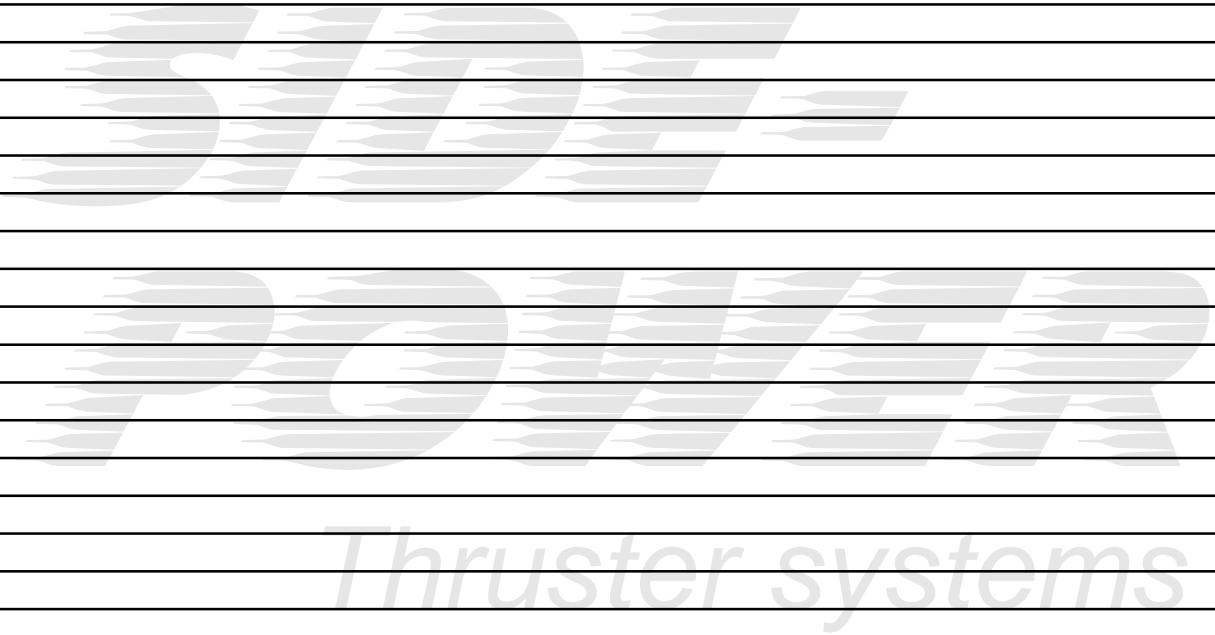
* Please provide thruster serial number when ordering brushes and brush springs.

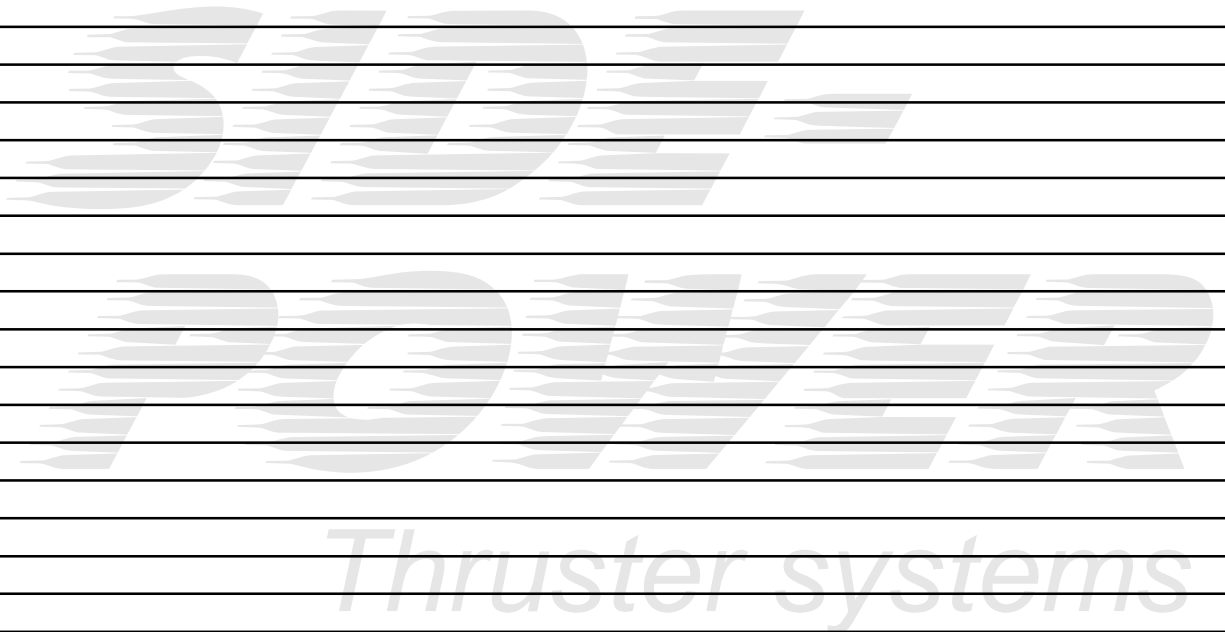


Original model	SP 125 Ti	
	12/04 <	
Model period	12V	24V
Ref:	9 0101 12	9 0101 24
30. Complete electric motor assembly	6 8810	6 8810
29. Nut for solenoid cover	9 2026	9 2025
28. Solenoid cover	9 0131 12	10 0131 24
27. Complete solenoid kit	1013693	41371243
26. Solenoid	15 1273B	6 1226B
25. Internal wiring loom	6 1232i	6 1232i
24. Electronic control box	9 0135 12	10 0140 24
23. Solenoid bracket kit	10 1440	10 1440
22. Key for electric motor shaft	N/A	N/A
21. Electric motor	9 0170 12*	9 0170 24*
20. Brush springs for electric motor (kit)	9 0180 12*	9 0180 24*
19. Brushes for electric motor (kit)	7 1455	7 1455
18. Complete flexible coupling	7 1451	7 1451
17. Rubber element	20 0300	20 0300
16. Oil container with holder	20 0400	20 0400
15. Oil hose with hose clamps	10 0500	10 0500
14. Complete motor bracket	10 1340	10 1340
13. O-ring seals in motor bracket	9 0600	9 0600
12. Complete gearleg	10 1080	10 1080
11. Gearleg bolt	10 1440	10 1440
10. Drive shaft key	20 1351	20 1351
9. Drive shaft seal	20 1350	20 1350
8. Propeller shaft seal	9 0610	9 0610
7. Gasket	10 1220	10 1220
6. Oil drain screw with gasket	20 1180	20 1180
5. Zinc anode	10 1260	10 1260
4. Locknut	20 1181	20 1181
3. Propeller washer	10 1241	10 1241
2. Propeller key	10 1270 RH	10 1270 RH
1. Propeller		
Other comments:		

* Please provide thruster serial number when ordering brushes and brush springs.









Service Centres

Argentina

Trimer SA
Buenos Aires
Tel: +54 11 4580 0444
Fax: +54 11 4580 0440
www.trimer.com.ar
trimer@trimer.com.ar

Australia

AMI Sales
Freemantle, WA
Tel: +61 89 337 3266
Fax: +61 89 314 2929
ami@amisales.com.au

Austria

G. Ascherl GmbH
Hard, Bregenz
Tel: +43 5574 899000
Fax: +43 5574 89900-10
www.ascherl.at
office@ascherl.at

Benelux

ASA Boot Electro
Watergang
Tel: +31 20 436 9100
Fax: +31 20 436 9109
asaboot@worldonline.nl
info@asabootelectro.nl

Canada

Imtra Corporation
New Bedford, MA
Tel: +1 508 995 7000
Fax: +1 508 998 5359
www.imtra.com
side-power@imtra.com

Croatia

AC Yacht & nautical support
Icici
Tel: +385 51 704 500
Fax: +385 51 704 600
acy@net.hr

Denmark

Gertsen & Olufsen AS
Hørsholm
Tel: +45 4576 3600
Fax: +45 4576 1772
www.gertsen-olufsen.dk
info@gertsen-olufsen.dk

Finland

Nautikulma OY
Turku
Tel: +358 2 2503 444
Fax: +358 2 2518 470
www.nautikulma.fi
nautikulma@kolumbus.fi

France

Kent Marine Equipment
Nantes
Tel: +33 240 921 584
Fax: +33 240 921 316
www.kent-marine.com
contact@kent-marine.com

Germany

Jabsco GmbH
Norderstedt
Tel: +49 40 535 373-0
Fax: +49 40 535 373-11

Greece

Amaltheia Marine
Athens
Tel: +30 210 2588 985
Fax: +30 210 2588 986
www.amaltheiamarine.com
amalmar@otenet.gr

Iceland

MARAS EHF
Reykjavik
Tel: +354 555 6444
Fax: +354 565 7230
www.merkur.is
velar@merkur.is

Ireland

Metalcove Marine
Dublin
Tel: +353 1 6795477
Fax: +353 1 6469860
www.metalcove.com

Israel

Atlantis Marine Ltd.
Tel Aviv
Tel: +972 3 522 7978
Fax: +972 3 523 5150
www.atlantis-marine.com
atlantis@inter.net.il

Italy

Saim S.P.A.
Assago-Milan
Tel: +39 02 488 531
Fax: +39 02 488 254 5
www.saim-group.com

Japan

Global Marine Inc.
Hyogo
Tel: +81 798 347 345
Fax: +81 798 347 346
www.global-marine.co.jp
info@global-marine.co.jp

Malta

S & D Yachts Ltd.
Cali
Tel: +356 21 339 908
Fax: +356 21 332 259
www.sdyachts.com
info@sdyachts.com

New Zealand

Lusty & Blundell Ltd.
Auckland
Tel: +64 9 415 8303
Fax: +64 9 415 8304
www.lusty-blundell.co.nz
sales@lusty-blundell.co.nz

Norway

Sleipner Motor AS
Fredrikstad
Tel: +47 69 30 00 60
Fax: +47 69 30 00 70
www.side-power.com
sidepower@sleipner.no

Poland

Taurus Sea Power SP. Z.O.O
Gdansk
Tel: +48 58 344 30 50
Fax: +48 58 341 67 62

Portugal

Krautli Portugal Lda.
Lisboa
Tel: +351 21 953 56 00
Fax: +351 21 953 56 01
www.krautli.com
contact@krautli.pt

Russia

Standarte
Starbeyevo
Tel: +7 095 575 67 23
Fax: +7 095 575 39 77
www.standarte.ru
info@standarte.ru

Spain

Imnasa Marine Products
Girona
Tel: +34 972 820210
Fax: +34 972 325116
www.imnasa.com
imnasa@imnasa.com

Sweden

Sleipner AB
Strömstad
Tel: +46 526 629 50
Fax: +46 526 152 95
www.sleipnerab.se

Switzerland

Marine Parts Technics AG
Volketswil
Tel: +41 44 997 40 90
Fax: +41 44 997 40 94
www.marineparts.ch
info@marineparts.ch

Singapore/Malaysia/ Indonesia

Alquest Marketing
Singapore
Tel: +65 6749 9359
Fax: +65 6749 9360
www.alquest.com.sg
alquest@singnet.com.sg

Taiwan

Mercury Marine Supply
Kaohsiung
Tel: +886 7 8133 233
Fax: +886 7 8133 236

Turkey

Denpar Ltd.
Istanbul
Tel: +90 212 285 0334
Fax: +90 212 285 0311
bilgebay@superonline.com

UK

Sleipner Motor Ltd.
South Brent
Tel: +44 1364 649 400
Fax: +44 1364 649 399
andy@sleipner.co.uk

United Arab Emirates

Teignbridge Propulsion
Dubai
Tel: +971 4 324 0084
Fax: +971 4 324 0153
teignpro@emirates.net.ae

USA

Imtra Corporation
New Bedford, MA
Tel: +1 508 995 7000
Fax: +1 508 998 5359
www.imtra.com
side-power@imtra.com

All other:

Sleipner Motor AS



Sleipner Motor AS, P. O. Box 519, N-1612 Fredrikstad, Norway
Tel: +47 69 30 00 60 Fax: +47 69 30 00 70 sidepower@sleipner.no www.side-power.com